

## TPS61088 10-A Fully-Integrated Synchronous Boost Converter

### 1 Features

- Input Voltage Range: 2.7 to 12 V
- Output Voltage Range: 4.5 to 12.6 V
- 10-A Switch Current
- Up to 91% Efficiency at  $V_{IN} = 3.3$  V,  $V_{OUT} = 9$  V, and  $I_{OUT} = 3$  A
- Mode Selection Between PFM Mode and Forced PWM Mode at Light Load
- 1.0  $\mu$ A Current into VIN Pin during Shutdown
- Resistor-Programmable Switch Peak Current Limit
- Adjustable Switching Frequency: 200 kHz to 2.2 MHz
- Programmable Soft Start
- Output Overvoltage Protection at 13.2 V
- Cycle-by-Cycle Overcurrent Protection
- Thermal Shutdown
- 4.50-mm  $\times$  3.50-mm 20-Pin VQFN Package
- Create a Custom Design Using the TPS61088 with the [WEBENCH Power Designer](#)

### 2 Applications

- Portable POS terminal
- *Bluetooth™* Speaker
- E-Cigarette
- Thunderbolt Interface
- Quick Charge Power Bank

### 3 Description

The TPS61088 is a high power density, fully integrated synchronous boost converter with a 11-m $\Omega$  power switch and a 13-m $\Omega$  rectifier switch to provide a high efficiency and small size solution in portable systems. The TPS61088 has wide input voltage range from 2.7 V to 12 V to support applications with single cell or two cell Lithium batteries. The device has 10-A switch current capability and is capable of providing an output voltage up to 12.6 V.

The TPS61088 uses adaptive constant off-time peak current control topology to regulate the output voltage. In moderate to heavy load condition, the TPS61088 works in the pulse width modulation (PWM) mode. In light load condition, the device has two operation modes selected by the MODE pin. One is the pulse frequency modulation (PFM) mode to improve the efficiency and another one is the forced PWM mode to avoid application problems caused by low switching frequency. The switching frequency in the PWM mode is adjustable ranging from 200 kHz to 2.2 MHz by an external resistor. The TPS61088 also implements a programmable soft-start function and an adjustable switching peak current limit function. In addition, the device provides 13.2-V output overvoltage protection, cycle-by-cycle overcurrent protection, and thermal shutdown protection.

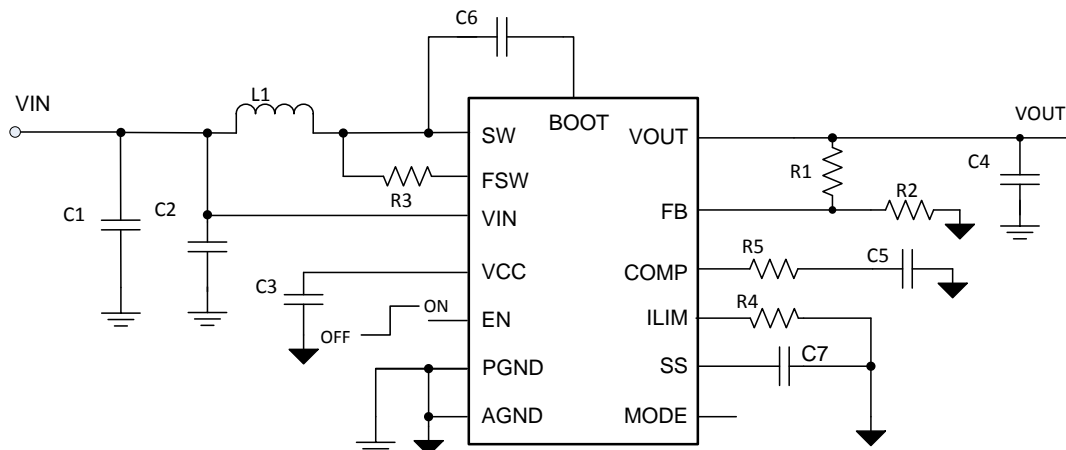
The TPS61088 is available in a 4.50-mm  $\times$  3.50-mm 20-pin VQFN package.

#### Device Information<sup>(1)</sup>

PART NUMBER	PACKAGE	BODY SIZE (NOM)
TPS61088	VQFN (20)	4.50 mm $\times$ 3.50 mm

(1) For all available packages, see the orderable addendum at the end of the data sheet.

#### Typical Application Circuit



## Table of Contents

<b>1 Features</b> .....	<b>1</b>	<b>8 Application and Implementation</b> .....	<b>13</b>
<b>2 Applications</b> .....	<b>1</b>	8.1 Application Information.....	13
<b>3 Description</b> .....	<b>1</b>	8.2 Typical Application .....	13
<b>4 Revision History</b> .....	<b>2</b>	<b>9 Power Supply Recommendations</b> .....	<b>20</b>
<b>5 Pin Configuration and Functions</b> .....	<b>3</b>	<b>10 Layout</b> .....	<b>20</b>
<b>6 Specifications</b> .....	<b>4</b>	10.1 Layout Guidelines .....	20
6.1 Absolute Maximum Ratings .....	4	10.2 Layout Example .....	20
6.2 ESD Ratings.....	4	10.3 Thermal Considerations .....	21
6.3 Recommended Operating Conditions.....	4	<b>11 Device and Documentation Support</b> .....	<b>22</b>
6.4 Thermal Information .....	4	11.1 Custom Design with WEBENCH Tools.....	22
6.5 Electrical Characteristics.....	5	11.2 Receiving Notification of Documentation Updates	22
6.6 Typical Characteristics .....	6	11.3 Device Support.....	22
<b>7 Detailed Description</b> .....	<b>8</b>	11.4 Community Resources.....	22
7.1 Overview .....	8	11.5 Trademarks .....	22
7.2 Functional Block Diagram .....	9	11.6 Electrostatic Discharge Caution.....	22
7.3 Feature Description.....	9	11.7 Glossary .....	23
7.4 Device Functional Modes.....	11	<b>12 Mechanical, Packaging, and Orderable Information</b> .....	<b>23</b>

## 4 Revision History

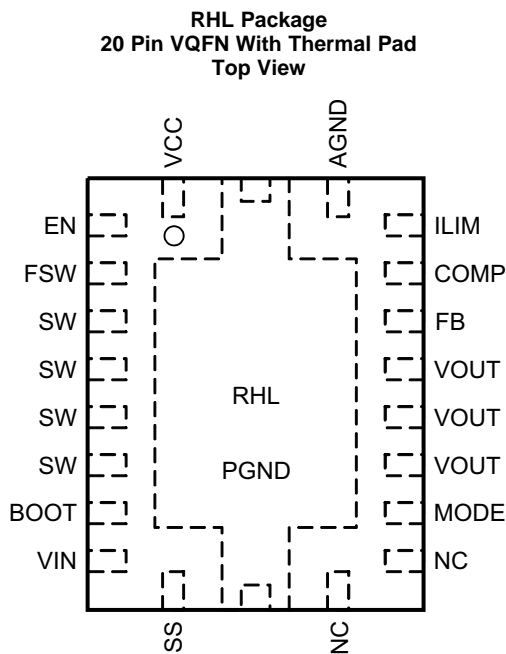
NOTE: Page numbers for previous revisions may differ from page numbers in the current version.

<b>Changes from Revision B (September) to Revision C</b>	<b>Page</b>
• Corrected spelling of 'resister' to 'resistor' in the <i>Pin Functions</i> table. ....	3
• Added caption to <i>Functional Block Diagram</i> as auto-number <a href="#">Figure 10</a> .....	9
• Added cross-reference hyperlink in the <i>Enable and Startup</i> section pointing to C7 reference in <a href="#">Figure 12</a> . ....	9
• Inserted missing cross-reference hyperlink in <a href="#">Setting Output Voltage</a> section pointing to <a href="#">Figure 12</a> circuit in the <i>Typical Application</i> section. ....	14

<b>Changes from Revision A (May 2015) to Revision B</b>	<b>Page</b>
• Added thermal information for EVM configuration .....	4

<b>Changes from Original (May 2015) to Revision A</b>	<b>Page</b>
• Updated device status to production data .....	1
• Updated $V_{CCLPH}$ and $V_{CCLPL}$ typical voltage .....	5
• Fixed legend of <a href="#">Figure 2</a> and <a href="#">Figure 4</a> from input to output .....	6

## 5 Pin Configuration and Functions



**Pin Functions**

PIN		I/O	DESCRIPTION
NAME	NUMBER		
VCC	1	O	Output of the internal regulator. A ceramic capacitor of more than 1.0 $\mu\text{F}$ is required between this pin and ground.
EN	2	I	Enable logic input. Logic high level enables the device. Logic low level disables the device and turns it into shutdown mode.
FSW	3	I	The switching frequency is programmed by a resistor between this pin and the SW pin.
SW	4, 5, 6, 7	I	The switching node pin of the converter. It is connected to the drain of the internal low-side power MOSFET and the source of the internal high-side power MOSFET.
BOOT	8	O	Power supply for high-side MOSFET gate driver. A ceramic capacitor of 0.1 $\mu\text{F}$ must be connected between this pin and the SW pin
VIN	9	I	IC power supply input
SS	10	O	Soft-start programming pin. An external capacitor sets the ramp rate of the internal error amplifier's reference voltage during soft-start
NC	11, 12	—	No connection inside the device. Connect these two pins to ground plane on the PCB for good thermal dissipation
MODE	13	I	Operation mode selection pin for the device in light load condition. When this pin is connected to ground, the device works in PWM mode. When this pin is left floating, the device works in PFM mode.
VOUT	14, 15, 16	O	Boost converter output
FB	17	I	Voltage feedback. Connect to the center tape of a resistor divider to program the output voltage.
COMP	18	O	Output of the internal error amplifier, the loop compensation network should be connected between this pin and the AGND pin.
ILIM	19	O	Adjustable switch peak current limit. An external resistor should be connected between this pin and the AGND pin.
AGND	20	—	Signal ground of the IC
PGND	21	—	Power ground of the IC. It is connected to the source of the low-side MOSFET.

## 6 Specifications

### 6.1 Absolute Maximum Ratings

over operating free-air temperature (unless otherwise noted) <sup>(1)</sup>

		MIN	MAX	UNIT
Voltage <sup>(2)</sup>	BOOT	-0.3	SW + 7	V
	VIN, SW, FSW, VOUT	-0.3	14.5	
	EN, VCC, SS, COMP, MODE	-0.3	7	
	ILIM, FB	-0.3	3.6	
T <sub>J</sub>	Operating junction temperature	-40	150	°C
T <sub>stg</sub>	Storage temperature	-65	150	°C

- (1) Stresses beyond those listed under *Absolute Maximum Ratings* may cause permanent damage to the device. These are stress ratings only, which do not imply functional operation of the device at these or any other conditions beyond those indicated under *Recommended Operating Conditions*. Exposure to absolute-maximum-rated conditions for extended periods may affect device reliability.
- (2) All voltage values are with respect to network ground terminal.

### 6.2 ESD Ratings

		VALUE	UNIT
V <sub>(ESD)</sub>	Electrostatic discharge	Human body model (HBM), per ANSI/ESDA/JEDEC JS-001, all pins <sup>(1)</sup>	±2000
		Charged device model (CDM), per JEDEC specification JESD22-C101, all pins <sup>(2)</sup>	±500

- (1) JEDEC document JEP155 states that 500-V HBM allows safe manufacturing with a standard ESD control process.
- (2) JEDEC document JEP157 states that 250-V CDM allows safe manufacturing with a standard ESD control process.

### 6.3 Recommended Operating Conditions

over operating free-air temperature range (unless otherwise noted)

		MIN	NOM	MAX	UNIT
V <sub>IN</sub>	Input voltage range	2.7		12	V
V <sub>OUT</sub>	Output voltage range	4.5		12.6	V
L	Inductance, effective value	0.47	2.2	10	μH
C <sub>I</sub>	Input capacitance, effective value	10			μF
C <sub>O</sub>	Output capacitance, effective value	6.8	47	1000	μF
T <sub>J</sub>	Operating junction temperature	-40		125	°C

### 6.4 Thermal Information

THERMAL METRIC <sup>(1)</sup>		TPS61088	TPS61088	UNIT
		RHL 20 Pins	RHL 20 Pins	
		Standard	EVM	
R <sub>θJA</sub>	Junction-to-ambient thermal resistance	38.8	29.7	°C/W
R <sub>θJC(top)</sub>	Junction-to-case (top) thermal resistance	39.8	N/A	°C/W
R <sub>θJB</sub>	Junction-to-board thermal resistance	15.5	N/A	°C/W
ψ <sub>JT</sub>	Junction-to-top characterization parameter	0.6	0.5	°C/W
ψ <sub>JB</sub>	Junction-to-board characterization parameter	15.5	9.8	°C/W
R <sub>θJC(bot)</sub>	Junction-to-case (bottom) thermal resistance	3.1	N/A	°C/W

- (1) For more information about traditional and new thermal metrics, see the *Semiconductor and IC Package Thermal Metrics* application report, [SPRA953](#).

## 6.5 Electrical Characteristics

Minimum and maximum values are at  $V_{IN} = 2.7\text{ V}$  to  $5.5\text{ V}$  and  $T_J = -40^\circ\text{C}$  to  $125^\circ\text{C}$ . Typical values are at  $V_{IN} = 3.6\text{ V}$  and  $T_J = 25^\circ\text{C}$

PARAMETER		TEST CONDITIONS	MIN	TYP	MAX	UNIT
<b>POWER SUPPLY</b>						
$V_{IN}$	Input voltage range		2.7		12	V
$V_{IN\_UVLO}$	Undervoltage lockout (UVLO) threshold	$V_{IN}$ rising			2.7	V
		$V_{IN}$ falling		2.4	2.5	V
$V_{IN\_HYS}$	VIN UVLO hysteresis			200		mV
$V_{CC\_UVLO}$	UVLO threshold	$V_{CC}$ falling		2.1		V
$I_Q$	Operating quiescent current from the VIN pin	IC enabled, $V_{EN} = 2\text{ V}$ , no load, $R_{ILIM} = 100\text{ k}\Omega$ , $V_{FB} = 1.3\text{ V}$ , $V_{OUT} = 12\text{ V}$ , $T_J$ up to $85^\circ\text{C}$		1	3	$\mu\text{A}$
	Operating quiescent current from the VOUT pin			110	250	$\mu\text{A}$
$I_{SD}$	Shutdown current into the VIN pin	IC disabled, $V_{EN} = 0\text{ V}$ , no load, no feedback resistor divider connected to the VOUT pin, $T_J$ up to $85^\circ\text{C}$		1	3	$\mu\text{A}$
$V_{CC}$	VCC regulation	$I_{VCC} = 5\text{ mA}$ , $V_{IN} = 8\text{ V}$		5.8		V
<b>EN AND MODE INPUT</b>						
$V_{ENH}$	EN high threshold voltage	$V_{CC} = 6\text{ V}$			1.2	V
$V_{ENL}$	EN low threshold voltage	$V_{CC} = 6\text{ V}$	0.4			V
$R_{EN}$	EN internal pull-down resistance	$V_{CC} = 6\text{ V}$		800		$\text{k}\Omega$
$V_{MODEH}$	MODE high threshold voltage	$V_{CC} = 6\text{ V}$			4.0	V
$V_{MODEL}$	MODE low threshold voltage	$V_{CC} = 6\text{ V}$	1.5			V
$R_{MODE}$	MODE internal pull-up resistance	$V_{CC} = 6\text{ V}$		800		$\text{k}\Omega$
<b>OUTPUT</b>						
$V_{OUT}$	Output voltage range		4.5		12.6	V
$V_{REF}$	Reference voltage at the FB pin	PWM mode	1.186	1.204	1.222	V
		PFM mode		1.212		
$I_{LKG\_FB}$	FB pin leakage current	$V_{FB} = 1.2\text{ V}$			100	nA
$I_{SS}$	Soft-start charging current			5		$\mu\text{A}$
<b>ERROR AMPLIFIER</b>						
$I_{SINK}$	COMP pin sink current	$V_{FB} = V_{REF} + 200\text{ mV}$ , $V_{COMP} = 1.5\text{ V}$		20		$\mu\text{A}$
$I_{SOURCE}$	COMP pin source current	$V_{FB} = V_{REF} - 200\text{ mV}$ , $V_{COMP} = 1.5\text{ V}$		20		$\mu\text{A}$
$V_{CCLPH}$	High clamp voltage at the COMP pin	$V_{FB} = 1\text{ V}$ , $R_{ILIM} = 100\text{ k}\Omega$		2.3		V
$V_{CCLPL}$	Low clamp voltage at the COMP pin	$V_{FB} = 1.5\text{ V}$ , $R_{ILIM} = 100\text{ k}\Omega$ , MODE pin floating		1.4		
$G_{EA}$	Error amplifier transconductance	$V_{COMP} = 1.5\text{ V}$		190		$\mu\text{A/V}$
<b>POWER SWITCH</b>						
$R_{DS(on)}$	High-side MOSFET on-resistance	$V_{CC} = 6\text{ V}$		13	18	$\text{m}\Omega$
	Low-side MOSFET on-resistance	$V_{CC} = 6\text{ V}$		11	16.5	$\text{m}\Omega$
<b>CURRENT LIMIT</b>						
$I_{LIM}$	Peak switch current limit in PFM mode	$R_{ILIM} = 100\text{ k}\Omega$ , $V_{CC} = 6\text{ V}$ , MODE pin floating	10.6	11.9	13	A
	Peak switch current limit in FPWM mode	$R_{ILIM} = 100\text{ k}\Omega$ , $V_{CC} = 6\text{ V}$ , MODE pin short to ground	9.0	10.3	11.4	A
$V_{ILIM}$	Reference voltage at the ILIM pin			1.204		V
<b>SWITCHING FREQUENCY</b>						
$f_{SW}$	Switching frequency	$R_{FREQ} = 301\text{ k}\Omega$ , $V_{IN} = 3.6\text{ V}$ , $V_{OUT} = 12\text{ V}$		500		kHz
$t_{ON\_min}$	Minimum on-time	$R_{FREQ} = 301\text{ k}\Omega$ , $V_{IN} = 3.6\text{ V}$ , $V_{OUT} = 12\text{ V}$		90	180	ns
<b>PROTECTION</b>						
$V_{OVP}$	Output overvoltage protection threshold	$V_{OUT}$ rising	12.7	13.2	13.6	V

### Electrical Characteristics (continued)

Minimum and maximum values are at  $V_{IN} = 2.7\text{ V}$  to  $5.5\text{ V}$  and  $T_J = -40^\circ\text{C}$  to  $125^\circ\text{C}$ . Typical values are at  $V_{IN} = 3.6\text{ V}$  and  $T_J = 25^\circ\text{C}$

PARAMETER		TEST CONDITIONS	MIN	TYP	MAX	UNIT
$V_{OVP\_HYS}$	Output overvoltage protection hysteresis	$V_{OUT}$ falling below $V_{OVP}$		0.25		V
<b>THERMAL SHUTDOWN</b>						
$T_{SD}$	Thermal shutdown threshold	$T_J$ rising		150		$^\circ\text{C}$
$T_{SD\_HYS}$	Thermal shutdown hysteresis	$T_J$ falling below $T_{SD}$		20		$^\circ\text{C}$

### 6.6 Typical Characteristics

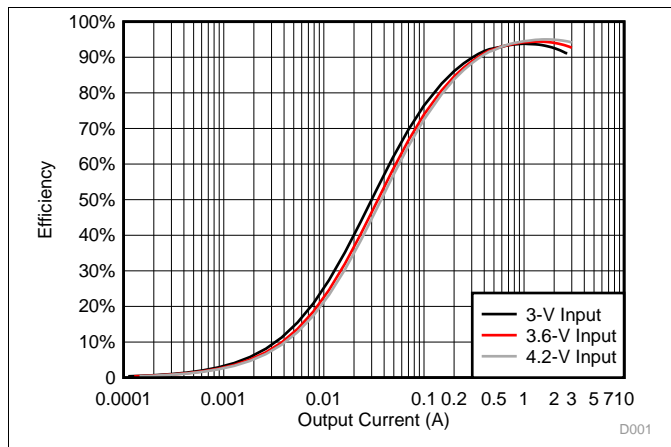


Figure 1. Efficiency vs Output Current,  $V_{OUT} = 9\text{ V}$ , FPWM

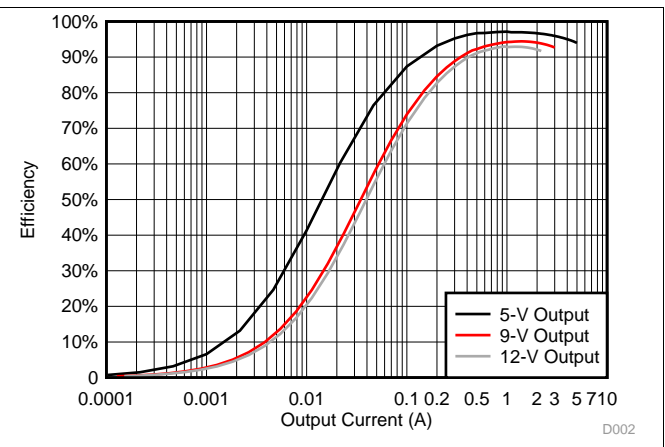


Figure 2. Efficiency vs Output Current,  $V_{IN} = 3.6\text{ V}$ , FPWM

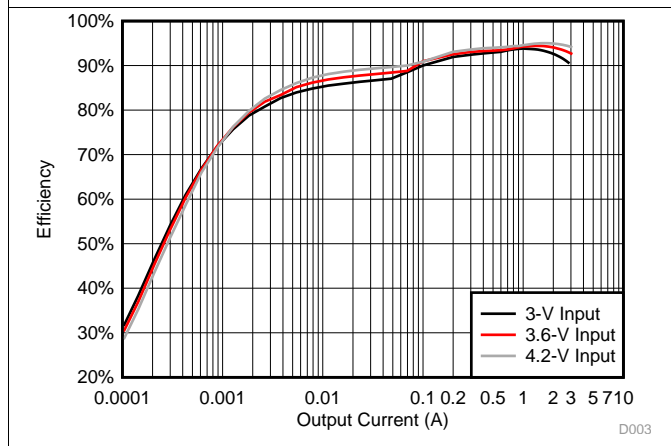


Figure 3. Efficiency vs Output Current,  $V_{OUT} = 9\text{ V}$ , PFM

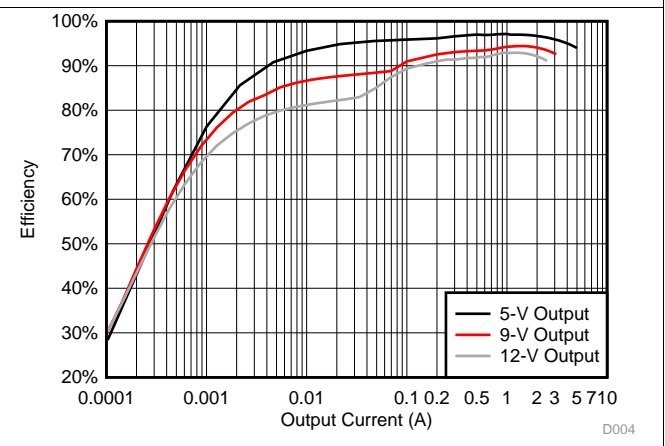
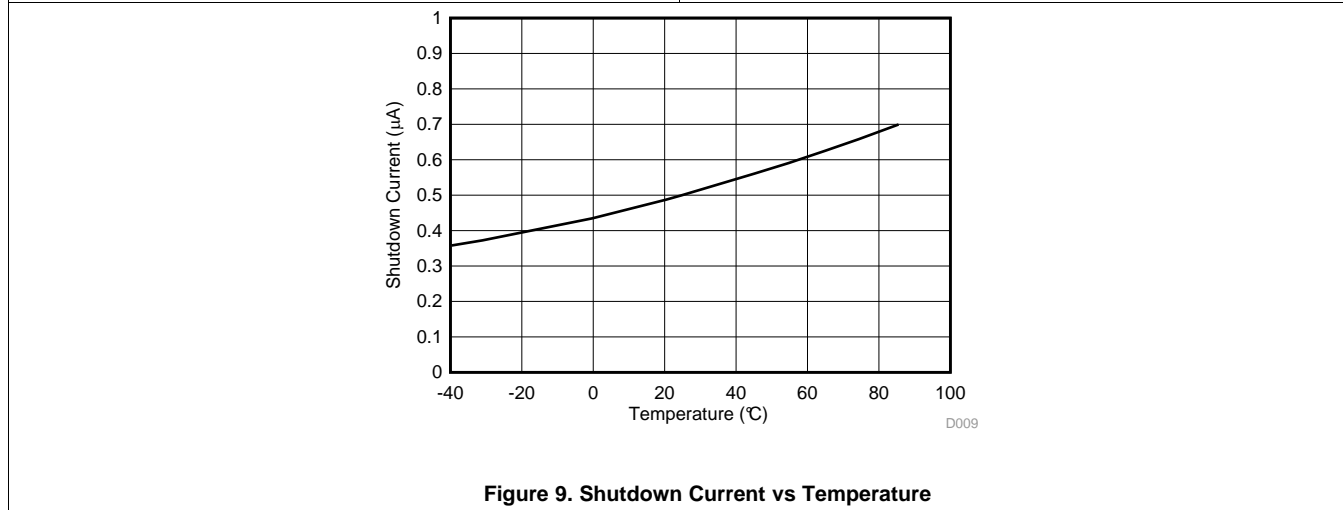
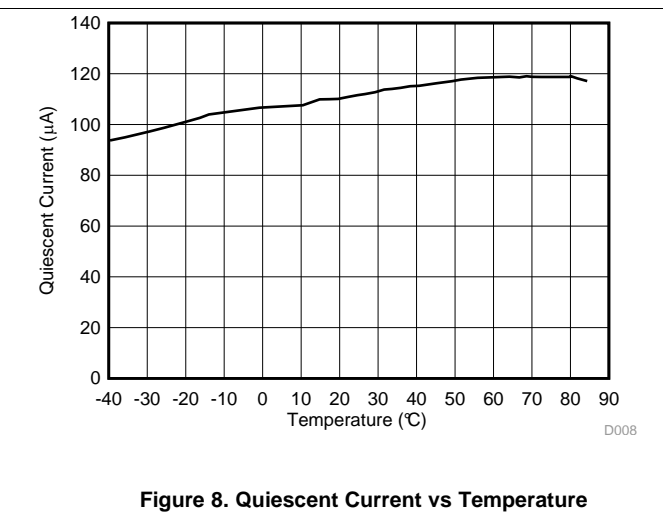
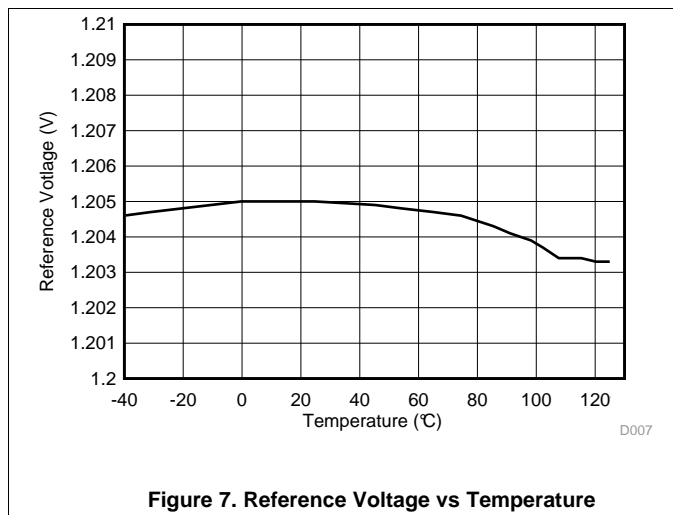
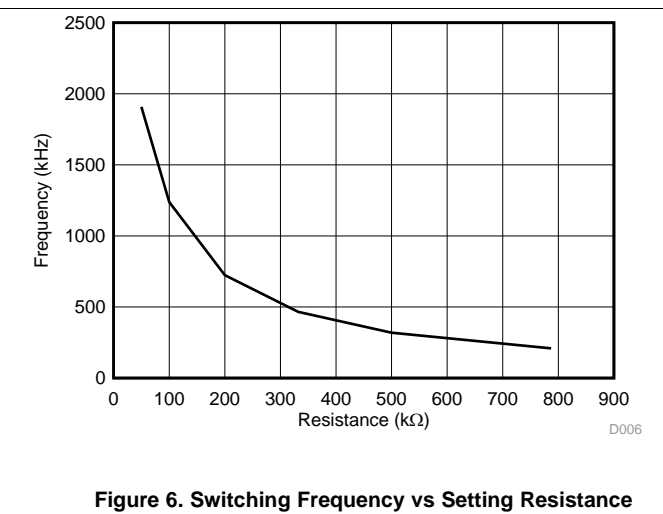
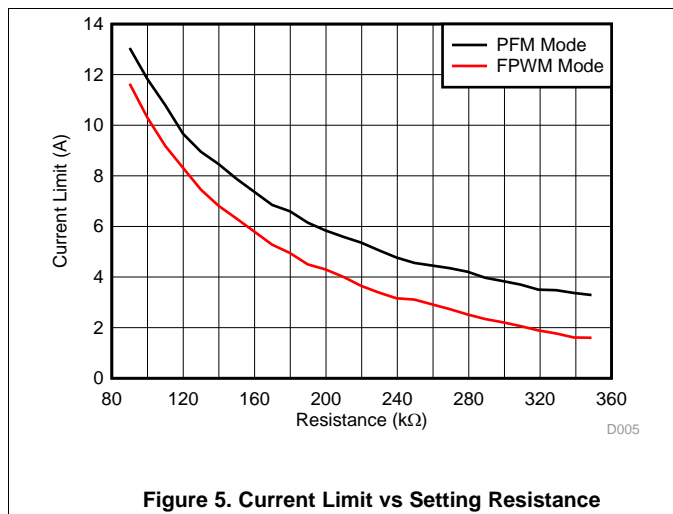


Figure 4. Efficiency vs Output Current,  $V_{IN} = 3.6\text{ V}$ , PFM

Typical Characteristics (continued)



## 7 Detailed Description

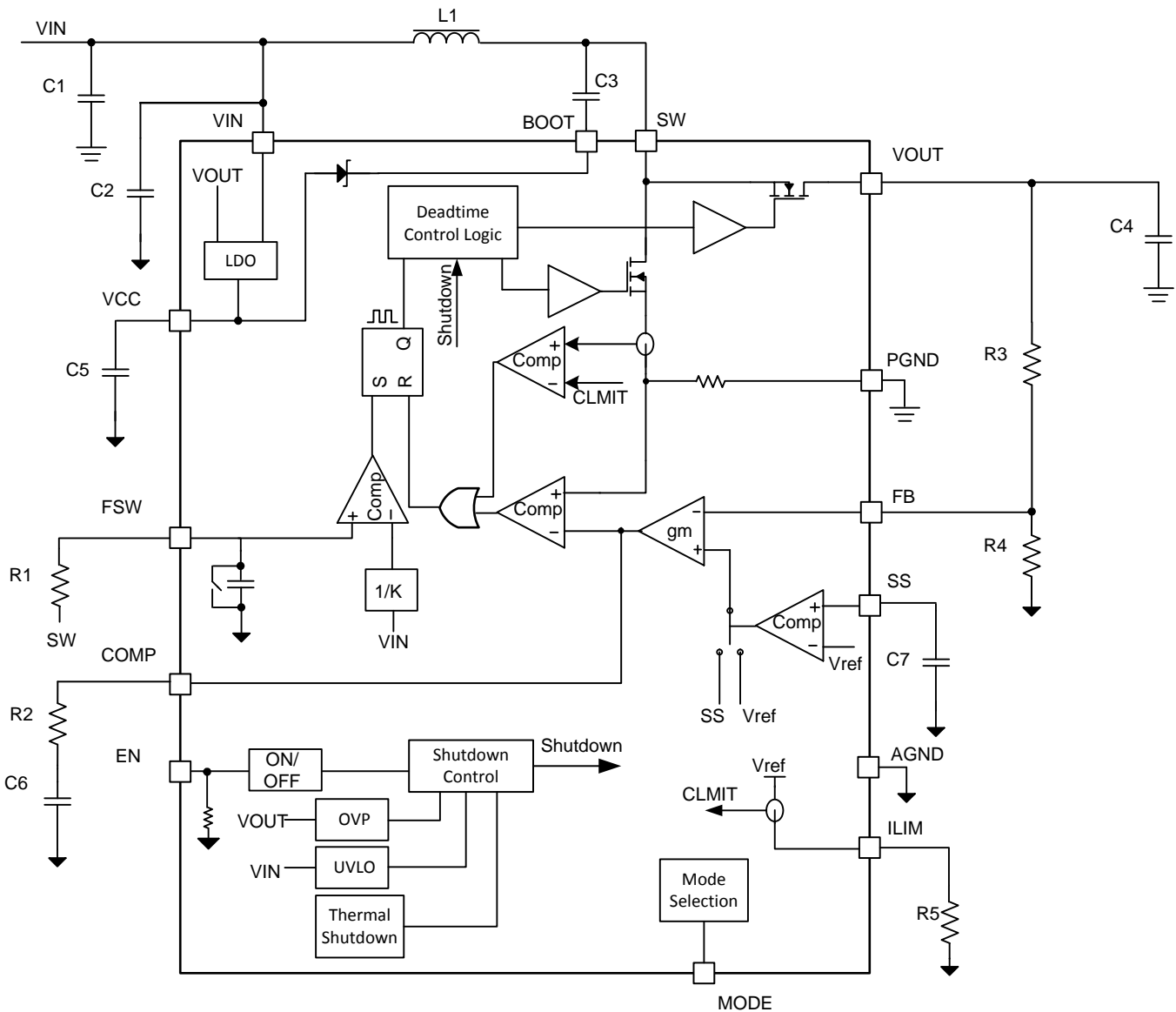
### 7.1 Overview

The TPS61088 is a fully-integrated synchronous boost converter with a 11-m $\Omega$  power switch and a 13-m $\Omega$  rectifier switch to output high power from a single cell or two-cell Lithium batteries. The device is capable of providing an output voltage of 12.6 V and delivering up to 30-W power from a single cell Lithium battery.

The TPS61088 uses adaptive constant off-time peak current control topology to regulate the output voltage. In moderate-to-heavy load condition, the TPS61088 works in the quasi-constant frequency pulse width modulation (PWM) mode. The switching frequency in the PWM mode is adjustable ranging from 200 kHz to 2.2 MHz by an external resistor. In light load condition, the device has two operation modes selected by the MODE pin. When the MODE pin is left floating, the TPS61088 works in the pulse frequency modulation (PFM) mode. The PFM mode brings high efficiency at the light load. When the MODE pin is short to ground, the TPS61088 works in the forced PWM mode (FPWM). The FPWM mode can avoid the acoustic noise and other problems caused by the low switching frequency. The TPS61088 implements cycle-by-cycle current limit to protect the device from overload conditions during boost switching. The switch peak current limit is programmable by an external resistor. The TPS61088 uses external loop compensation, which provides flexibility to use different inductors and output capacitors. The adaptive off-time peak current control scheme gives excellent transient line and load response with minimal output capacitance.



## 7.2 Functional Block Diagram



**Figure 10. Functional Block Diagram**

## 7.3 Feature Description

### 7.3.1 Enable and Startup

The TPS61088 has an adjustable soft start function to prevent high inrush current during start-up. To minimize the inrush current during start-up, an external capacitor, connected to the SS pin and charged with a constant current, is used to slowly ramp up the internal positive input of the error amplifier. When the EN pin is pulled high, the soft-start capacitor  $C_{SS}$  (C7 in Figure 12) is charged with a constant current of 5  $\mu$ A typically. During this time, the SS pin voltage is compared with the internal reference (1.204 V), the lower one is fed into the internal positive input of the error amplifier. The output of the error amplifier (which determines the inductor peak current value) ramps up slowly as the SS pin voltage goes up. The soft-start phase is completed after the SS pin voltage exceeds the internal reference (1.204 V). The larger the capacitance at the SS pin, the slower the ramp of the output voltage and the longer the soft-start time. A 47-nF capacitor is usually sufficient for most applications. When the EN pin is pulled low, the voltage of the soft-start capacitor is discharged to ground.

## Feature Description (continued)

Use [Equation 1](#) to calculate the soft-start time.

$$t_{SS} = \frac{V_{REF} \times C_{SS}}{I_{SS}}$$

where

- $t_{SS}$  is the soft start time.
- $V_{REF}$  is the internal reference voltage of 1.204 V.
- $C_{SS}$  is the capacitance between the SS pin and ground.
- $I_{SS}$  is the soft-start charging current of 5  $\mu$ A.

(1)

### 7.3.2 Undervoltage Lockout (UVLO)

The UVLO circuit prevents the device from malfunctioning at low input voltage and the battery from excessive discharge. The TPS61088 has both VIN UVLO function and VCC UVLO function. It disables the device from switching when the falling voltage at the VIN pin trips the UVLO threshold  $V_{IN\_UVLO}$ , which is typically 2.4 V. The device starts operating when the rising voltage at the VIN pin is 200-mV above the  $V_{IN\_UVLO}$ . It also disables the device when the falling voltage at the VCC pin trips the UVLO threshold  $V_{CC\_UVLO}$ , which is typically 2.1 V.

### 7.3.3 Adjustable Switching Frequency

This device features a wide adjustable switching frequency ranging from 200 kHz to 2.2 MHz. The switching frequency is set by a resistor connected between the FSW pin and the SW pin of the TPS61088. A resistor must always be connected from the FSW pin to SW pin for proper operation. The resistor value required for a desired frequency can be calculated using [Equation 2](#).

$$R_{FREQ} = \frac{4 \times \left( \frac{1}{f_{SW}} - t_{DELAY} \times \frac{V_{OUT}}{V_{IN}} \right)}{C_{FREQ}}$$

where

- $R_{FREQ}$  is the resistance connected between the FSW pin and the SW pin.
- $C_{FREQ} = 23$  pF
- $f_{SW}$  is the desired switching frequency.
- $t_{DELAY} = 89$  ns
- $V_{IN}$  is the input voltage.
- $V_{OUT}$  is the output voltage.

(2)

### 7.3.4 Adjustable Peak Current Limit

To avoid an accidental large peak current, an internal cycle-by-cycle current limit is adopted. The low-side switch is turned off immediately as soon as the switch current touches the limit. The peak switch current limit can be set by a resistor at the ILIM pin to ground. The relationship between the current limit and the resistance depends on the status of the MODE pin.

When the MODE pin is floating, namely the TPS61088 is set to work in the PFM mode at light load, use [Equation 3](#) to calculate the resistor value:

$$I_{LIM} = \frac{1190000}{R_{ILIM}}$$

where

- $R_{ILIM}$  is the resistance between the ILIM pin and ground.
- $I_{LIM}$  is the switch peak current limit.

(3)

When the resistor value is 100 k $\Omega$ , the typical current limit is 11.9 A.

When the MODE pin is connected to ground, namely the TPS61088 is set to work in the forced PWM mode at light load, use [Equation 4](#) to calculate the resistor value.

## Feature Description (continued)

$$I_{LIM} = \frac{1190000}{R_{ILIM}} - 1.6 \quad (4)$$

When the resistor value is 100 k $\Omega$ , the typical current limit is 10.3 A.

Considering the device variation and the tolerance over temperature, the minimum current limit at the worst case can be 1.3 A lower than the value calculated by above equations.

### 7.3.5 Overvoltage Protection

If the output voltage at the VOUT pin is detected above 13.2 V (typical value), the TPS61088 stops switching immediately until the voltage at the VOUT pin drops the hysteresis value lower than the output overvoltage protection threshold. This function prevents overvoltage on the output and secures the circuits connected to the output from excessive overvoltage.

### 7.3.6 Thermal Shutdown

A thermal shutdown is implemented to prevent damages due to excessive heat and power dissipation. Typically, the thermal shutdown happens at a junction temperature of 150°C. When the thermal shutdown is triggered, the device stops switching until the junction temperature falls below typically 130°C, then the device starts switching again.

## 7.4 Device Functional Modes

### 7.4.1 Operation

The synchronous boost converter TPS61088 operates at a quasi-constant frequency pulse width modulation (PWM) in moderate to heavy load condition. Based on the  $V_{IN}$  to  $V_{OUT}$  ratio, a circuit predicts the required off-time of the switching cycle. At the beginning of each switching cycle, the low-side N-MOSFET switch, shown in the [Functional Block Diagram](#), is turned on, and the inductor current ramps up to a peak current that is determined by the output of the internal error amplifier. After the peak current is reached, the current comparator trips, and it turns off the low-side N-MOSFET switch and the inductor current goes through the body diode of the high-side N-MOSFET in a dead-time duration. After the dead-time duration, the high-side N-MOSFET switch is turned on. Because the output voltage is higher than the input voltage, the inductor current decreases. The high-side switch is not turned off until the fixed off-time is reached. After a short dead-time duration, the low-side switch turns on again and the switching cycle is repeated.

In light load condition, the TPS61088 implements two operation modes, PFM mode and forced PWM mode, to meet different application requirements. The operation mode is set by the status of the MODE pin. When the MODE pin is connected to ground, the device works in the forced PWM mode. When the MODE pin is left floating, the device works in the PFM mode.

#### 7.4.1.1 PWM Mode

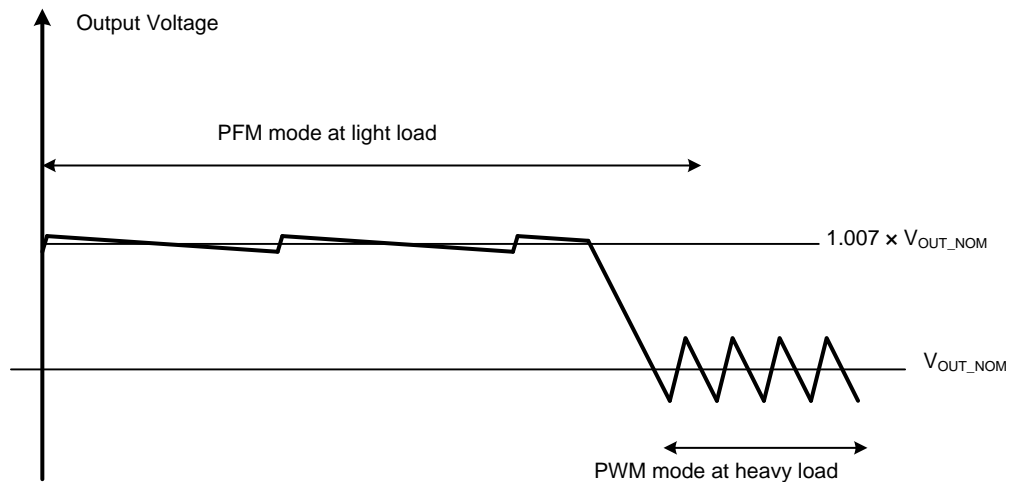
In the forced PWM mode, the TPS61088 keeps the switching frequency unchanged in light load condition. When the load current decreases, the output of the internal error amplifier decreases as well to keep the inductor peak current down, delivering less power from input to output. When the output current further reduces, the current through the inductor will decrease to zero during the off-time. The high-side N-MOSFET is not turned off even if the current through the MOSFET is zero. Thus, the inductor current changes its direction after it runs to zero. The power flow is from output side to input side. The efficiency will be low in this mode. But with the fixed switching frequency, there is no audible noise and other problems which might be caused by low switching frequency in light load condition.

#### 7.4.1.2 PFM Mode

The TPS61088 improves the efficiency at light load with the PFM mode. When the converter operates in light load condition, the output of the internal error amplifier decreases to make the inductor peak current down, delivering less power to the load. When the output current further reduces, the current through the inductor will decrease to zero during the off-time. Once the current through the high side N-MOSFET is zero, the high-side MOSFET is turned off until the beginning of the next switching cycle. When the output of the error amplifier continuously goes down and reaches a threshold with respect to the peak current of  $I_{LIM} / 12$ , the output of the

**Device Functional Modes (continued)**

error amplifier is clamped at this value and does not decrease any more. If the load current is smaller than what the TPS61088 delivers, the output voltage increases above the nominal setting output voltage. The TPS61088 extends its off time of the switching period to deliver less energy to the output and regulate the output voltage to 0.7% higher than the nominal setting voltage. With the PFM operation mode, the TPS61088 keeps the efficiency above 80% even when the load current decreases to 1 mA. In addition, the output voltage ripple is much smaller at light load due to low peak current. Refer to [Figure 11](#).



**Figure 11. PFM Mode Diagram**

## 8 Application and Implementation

### NOTE

Information in the following applications sections is not part of the TI component specification, and TI does not warrant its accuracy or completeness. TI's customers are responsible for determining suitability of components for their purposes. Customers should validate and test their design implementation to confirm system functionality.

### 8.1 Application Information

The TPS61088 is designed for outputting voltage up to 12.6 V with 10-A switch current capability to deliver more than 30-W power. The TPS61088 operates at a quasi-constant frequency pulse-width modulation (PWM) in moderate to heavy load condition. In light load condition, the converter can either operate in the PFM mode or in the forced PWM mode according to the mode selection. The PFM mode brings high efficiency over entire load range, but the PWM mode can avoid the acoustic noise as the switching frequency is fixed. The converter uses the adaptive constant off-time peak current control scheme, which provides excellent transient line and load response with minimal output capacitance. The TPS61088 can work with different inductor and output capacitor combination by external loop compensation. It also supports adjustable switching frequency ranging from 200 kHz to 2.2 MHz.

### 8.2 Typical Application

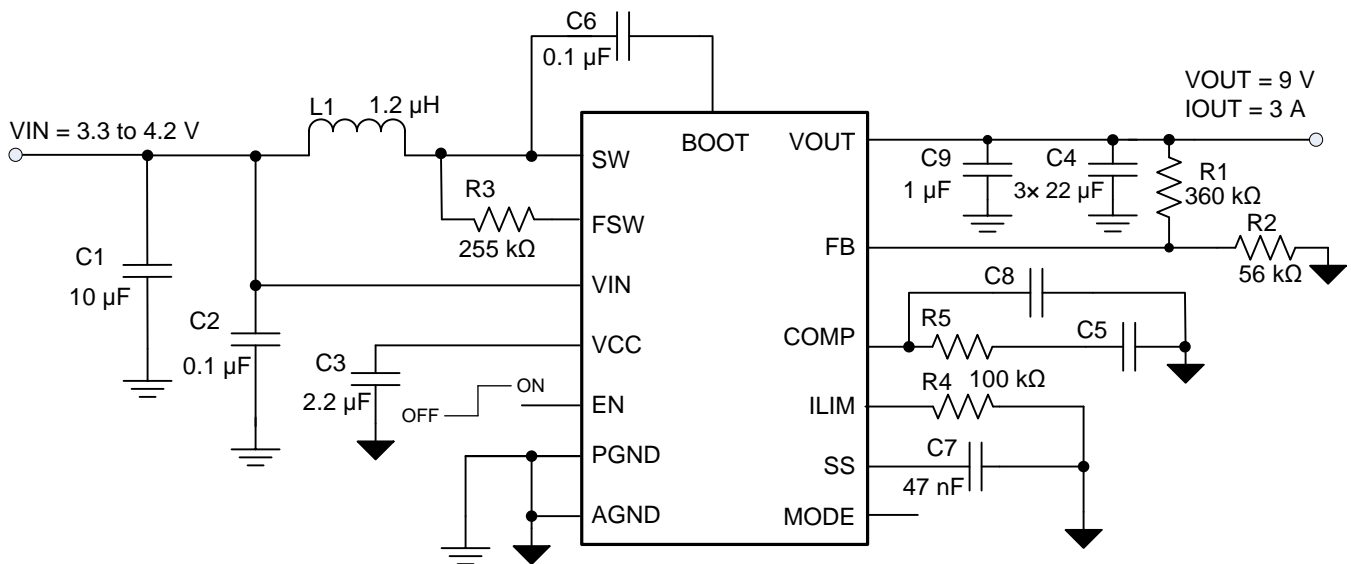


Figure 12. TPS61088 3.3 V to 9-V/3-A Output Converter

#### 8.2.1 Design Requirements

Table 1. Design Parameters

Design Parameters	Example Values
Input voltage range	3.3 to 4.2 V
Output voltage	9 V
Output voltage ripple	100 mV peak to peak
Output current rating	3 A
Operating frequency	600 kHz
Operation mode at light load	PFM

## 8.2.2 Detailed Design Procedure

### 8.2.2.1 Custom Design with WEBENCH Tools

[Click here](#) to create a custom design using the TPS61088 device with the WEBENCH® Power Designer.

1. Start by entering your  $V_{IN}$ ,  $V_{OUT}$  and  $I_{OUT}$  requirements.
2. Optimize your design for key parameters like efficiency, footprint and cost using the optimizer dial and compare this design with other possible solutions from Texas Instruments.
3. WEBENCH Power Designer provides you with a customized schematic along with a list of materials with real time pricing and component availability.
4. In most cases, you will also be able to:
  - Run electrical simulations to see important waveforms and circuit performance,
  - Run thermal simulations to understand the thermal performance of your board,
  - Export your customized schematic and layout into popular CAD formats,
  - Print PDF reports for the design, and share your design with colleagues.
5. Get more information about WEBENCH tools at [www.ti.com/webench](http://www.ti.com/webench).

### 8.2.2.2 Setting Switching Frequency

The switching frequency is set by a resistor connected between the FSW pin and the SW pin of the TPS61088. The resistor value required for a desired frequency can be calculated using [Equation 5](#).

$$R_{FREQ} = \frac{4 \times \left( \frac{1}{f_{SW}} - t_{DELAY} \times \frac{V_{OUT}}{V_{IN}} \right)}{C_{FREQ}}$$

where

- $R_{FREQ}$  is the resistance connected between the FSW pin and the SW pin.
  - $C_{FREQ} = 23$  pF
  - $f_{SW}$  is the desired switching frequency.
  - $t_{DELAY} = 89$  ns
  - $V_{IN}$  is the input voltage.
  - $V_{OUT}$  is the output voltage.
- (5)

### 8.2.2.3 Setting Peak Current Limit

The peak input current is set by selecting the correct external resistor value correlating to the required current limit. Because the TPS61088 is configured to work in the PFM mode in light load condition, use [Equation 6](#) to calculate the correct resistor value:

$$I_{LIM} = \frac{1190000}{R_{ILIM}}$$

where

- $R_{ILIM}$  is the resistance connected between the ILIM pin and ground.
  - $I_{LIM}$  is the switching peak current limit.
- (6)

For a typical current limit of 11.9 A, the resistor value is 100 kΩ. Considering the device variation and the tolerance over temperature, the minimum current limit at the worst case can be 1.3 A lower than the value calculated by [Equation 6](#). The minimum current limit must be higher than the required peak switch current at the lowest input voltage and the highest output power to make sure the TPS61088 does not hit the current limit and still can regulate the output voltage in these conditions.

### 8.2.2.4 Setting Output Voltage

The output voltage is set by an external resistor divider ( $R1$ ,  $R2$  in the [Figure 12](#) circuit diagram). Typically, a minimum current of 20 μA flowing through the feedback divider gives good accuracy and noise covering. A standard 56-kΩ resistor is typically selected for low-side resistor  $R2$ .

The value of  $R1$  is then calculated as:

$$R_1 = \frac{(V_{OUT} - V_{REF}) \times R_2}{V_{REF}} \quad (7)$$

### 8.2.2.5 Inductor Selection

Because the selection of the inductor affects the power supply's steady state operation, transient behavior, loop stability, and boost converter efficiency, the inductor is the most important component in switching power regulator design. Three most important specifications to the performance of the inductor are the inductor value, DC resistance, and saturation current.

The TPS61088 is designed to work with inductor values between 0.47 and 10  $\mu\text{H}$ . A 0.47- $\mu\text{H}$  inductor is typically available in a smaller or lower-profile package, while a 10- $\mu\text{H}$  inductor produces lower inductor current ripple. If the boost output current is limited by the peak current protection of the IC, using a 10- $\mu\text{H}$  inductor can maximize the controller's output current capability.

Inductor values can have  $\pm 20\%$  or even  $\pm 30\%$  tolerance with no current bias. When the inductor current approaches saturation level, its inductance can decrease 20% to 35% from the value at 0-A current depending on how the inductor vendor defines saturation. When selecting an inductor, make sure its rated current, especially the saturation current, is larger than its peak current during the operation.

Follow [Equation 8](#) to [Equation 10](#) to calculate the peak current of the inductor. To calculate the current in the worst case, use the minimum input voltage, maximum output voltage, and maximum load current of the application. To leave enough design margin, TI recommends using the minimum switching frequency, the inductor value with  $-30\%$  tolerance, and a low-power conversion efficiency for the calculation.

In a boost regulator, calculate the inductor DC current as in [Equation 8](#).

$$I_{DC} = \frac{V_{OUT} \times I_{OUT}}{V_{IN} \times \eta}$$

where

- $V_{OUT}$  is the output voltage of the boost regulator.
- $I_{OUT}$  is the output current of the boost regulator.
- $V_{IN}$  is the input voltage of the boost regulator.
- $\eta$  is the power conversion efficiency.

(8)

Calculate the inductor current peak-to-peak ripple as in [Equation 9](#).

$$I_{PP} = \frac{1}{L \times \left( \frac{1}{V_{OUT} - V_{IN}} + \frac{1}{V_{IN}} \right) \times f_{SW}}$$

where

- $I_{PP}$  is the inductor peak-to-peak ripple.
- $L$  is the inductor value.
- $f_{SW}$  is the switching frequency.
- $V_{OUT}$  is the output voltage.
- $V_{IN}$  is the input voltage.

(9)

Therefore, the peak current,  $I_{Lpeak}$ , seen by the inductor is calculated with [Equation 10](#).

$$I_{Lpeak} = I_{DC} + \frac{I_{PP}}{2} \quad (10)$$

Set the current limit of the TPS61088 higher than the peak current  $I_{Lpeak}$ . Then select the inductor with saturation current higher than the setting current limit.

Boost converter efficiency is dependent on the resistance of its current path, the switching loss associated with the switching MOSFETs, and the inductor's core loss. The TPS61088 has optimized the internal switch resistance. However, the overall efficiency is affected significantly by the inductor's DC resistance (DCR), equivalent series resistance (ESR) at the switching frequency, and the core loss. Core loss is related to the core material and different inductors have different core loss. For a certain inductor, larger current ripple generates higher DCR and ESR conduction losses and higher core loss. Usually, a data sheet of an inductor does not

provide the ESR and core loss information. If needed, consult the inductor vendor for detailed information. Generally, TI would recommend an inductor with lower DCR and ESR. However, there is a tradeoff among the inductor's inductance, DCR and ESR resistance, and its footprint. Furthermore, shielded inductors typically have higher DCR than unshielded inductors. [Table 2](#) lists recommended inductors for the TPS61088. Verify whether the recommended inductor can support the user's target application with the previous calculations and bench evaluation. In this application, the Sumida's inductor CDMC8D28NP-1R2MC is selected for its small size and low DCR.

**Table 2. Recommended Inductors**

Part Number	L (μH)	DCR Max (mΩ)	Saturation Current / Heat Rating Current (A)	Size Max (L × W × H mm)	Vendor
CDMC8D28NP-1R2MC	1.2	7.0	12.2 / 12.9	9.5 × 8.7 × 3.0	Sumida
744311150	1.5	7.2	14.0 / 11.0	7.3 × 7.2 × 4.0	Würth
PIMB104T-2R2MS	2.2	7.0	18 / 12	11.2 × 10.3 × 4.0	Cyntec
PIMB103T-2R2MS	2.2	9.0	16 / 13	11.2 × 10.3 × 3.0	Cyntec
PIMB065T-2R2MS	2.2	12.5	12 / 10.5	7.4 × 6.8 × 5.0	Cyntec

### 8.2.2.6 Input Capacitor Selection

For good input voltage filtering, TI recommends low-ESR ceramic capacitors. The VIN pin is the power supply for the TPS61088. A 0.1-μF ceramic bypass capacitor is recommended as close as possible to the VIN pin of the TPS61088. The VCC pin is the output of the internal LDO. A ceramic capacitor of more than 1.0 μF is required at the VCC pin to get a stable operation of the LDO.

For the power stage, because of the inductor current ripple, the input voltage changes if there is parasite inductance and resistance between the power supply and the inductor. It is recommended to have enough input capacitance to make the input voltage ripple less than 100mV. Generally, 10-μF input capacitance is sufficient for most applications.

#### NOTE

DC bias effect: High-capacitance ceramic capacitors have a DC bias effect, which has a strong influence on the final effective capacitance. Therefore, the right capacitor value must be chosen carefully. The differences between the rated capacitor value and the effective capacitance result from package size and voltage rating in combination with material. A 10-V rated 0805 capacitor with 10 μF can have an effective capacitance of less 5 μF at an output voltage of 5 V.

### 8.2.2.7 Output Capacitor Selection

For small output voltage ripple, TI recommends a low-ESR output capacitor like a ceramic capacitor. Typically, three 22-μF ceramic output capacitors work for most applications. Higher capacitor values can be used to improve the load transient response. Take care when evaluating a capacitor's derating under DC bias. The bias can significantly reduce capacitance. Ceramic capacitors can lose most of their capacitance at rated voltage. Therefore, leave margin on the voltage rating to ensure adequate effective capacitance. From the required output voltage ripple, use the following equations to calculate the minimum required effective capacitance  $C_{OUT}$ :

$$V_{\text{ripple\_dis}} = \frac{(V_{\text{OUT}} - V_{\text{IN\_MIN}}) \times I_{\text{OUT}}}{V_{\text{OUT}} \times f_{\text{SW}} \times C_{\text{OUT}}} \quad (11)$$

$$V_{\text{ripple\_ESR}} = I_{\text{Lpeak}} \times R_{\text{C\_ESR}}$$

where

- $V_{\text{ripple\_dis}}$  is output voltage ripple caused by charging and discharging of the output capacitor.
- $V_{\text{ripple\_ESR}}$  is output voltage ripple caused by ESR of the output capacitor.
- $V_{\text{IN\_MIN}}$  is the minimum input voltage of boost converter.
- $V_{\text{OUT}}$  is the output voltage.
- $I_{\text{OUT}}$  is the output current.
- $I_{\text{Lpeak}}$  is the peak current of the inductor.



- $f_{SW}$  is the converter switching frequency.
  - $R_{C\_ESR}$  is the ESR of the output capacitors.
- (12)

### 8.2.2.8 Loop Stability

The TPS61088 requires external compensation, which allows the loop response to be optimized for each application. The COMP pin is the output of the internal error amplifier. An external compensation network comprised of resistor R5, ceramic capacitors C5 and C8 is connected to the COMP pin.

The power stage small signal loop response of constant off time (COT) with peak current control can be modeled by Equation 13.

$$G_{PS}(S) = \frac{R_O \times (1-D)}{2 \times R_{sense}} \times \frac{\left(1 + \frac{S}{2 \times \pi \times f_{ESRZ}}\right) \left(1 - \frac{S}{2 \times \pi \times f_{RHPZ}}\right)}{1 + \frac{S}{2 \times \pi \times f_P}}$$

where

- D is the switching duty cycle.
  - $R_O$  is the output load resistance.
  - $R_{sense}$  is the equivalent internal current sense resistor, which is 0.08  $\Omega$ .
- (13)

$$f_P = \frac{2}{2\pi \times R_O \times C_O}$$

where

- $C_O$  is output capacitor.
- (14)

$$f_{ESRZ} = \frac{1}{2\pi \times R_{ESR} \times C_O}$$

where

- $R_{ESR}$  is the equivalent series resistance of the output capacitor.
- (15)

$$f_{RHPZ} = \frac{R_O \times (1-D)^2}{2\pi \times L}$$
(16)

The COMP pin is the output of the internal transconductance amplifier. Equation 17 shows the small signal transfer function of compensation network.

$$G_C(S) = \frac{G_{EA} \times R_{EA} \times V_{REF}}{V_{OUT}} \times \frac{\left(1 + \frac{S}{2 \times \pi \times f_{COMZ}}\right)}{\left(1 + \frac{S}{2 \times \pi \times f_{COMP1}}\right) \left(1 + \frac{S}{2 \times \pi \times f_{COMP2}}\right)}$$

where

- $G_{EA}$  is the amplifier's transconductance
  - $R_{EA}$  is the amplifier's output resistance
  - $V_{REF}$  is the reference voltage at the FB pin
  - $V_{OUT}$  is the output voltage
  - $f_{COMP1}$ ,  $f_{COMP2}$  are the poles' frequency of the compensation network.
  - $f_{COMZ}$  is the zero's frequency of the compensation network.
- (17)

The next step is to choose the loop crossover frequency,  $f_C$ . The higher in frequency that the loop gain stays above zero before crossing over, the faster the loop response is. It is generally accepted that the loop gain cross over no higher than the lower of either 1/10 of the switching frequency,  $f_{SW}$ , or 1/5 of the RHPZ frequency,  $f_{RHPZ}$ .

Then set the value of R5, C5, and C8 (in Figure 12) by following these equations.

$$R5 = \frac{2\pi \times V_{OUT} \times R_{sense} \times f_C \times C_O}{(1 - D) \times V_{REF} \times G_{EA}}$$

where

- $f_C$  is the selected crossover frequency. (18)

The value of C5 can be set by Equation 19.

$$C5 = \frac{R_O \times C_O}{2R5}$$
(19)

The value of C8 can be set by Equation 20.

$$C8 = \frac{R_{ESR} \times C_O}{R5}$$
(20)

If the calculated value of C8 is less than 10 pF, it can be left open.

Designing the loop for greater than 45° of phase margin and greater than 10-dB gain margin eliminates output voltage ringing during the line and load transient.

### 8.2.3 Application Curves

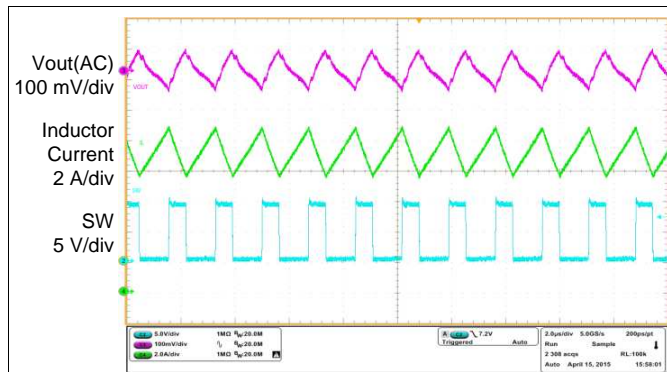


Figure 13. Switching Waveforms in CCM

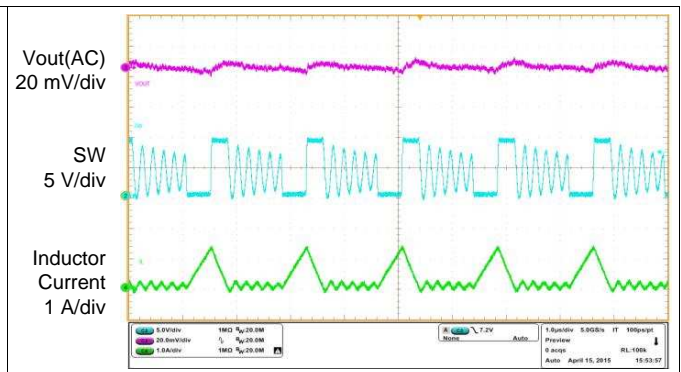


Figure 14. Switching Waveforms in DCM

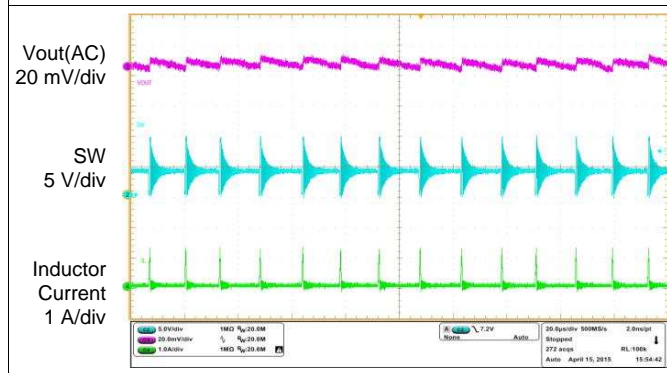


Figure 15. Switching Waveforms in PFM Mode

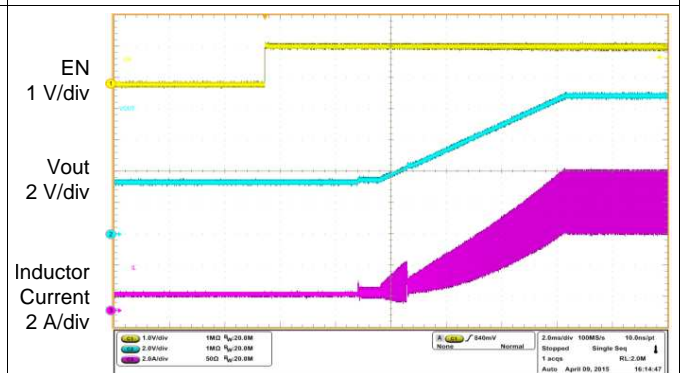


Figure 16. Startup Waveforms

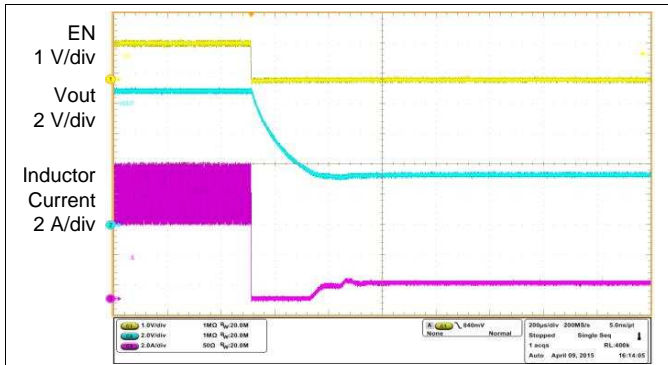


Figure 17. Shutdown Waveforms

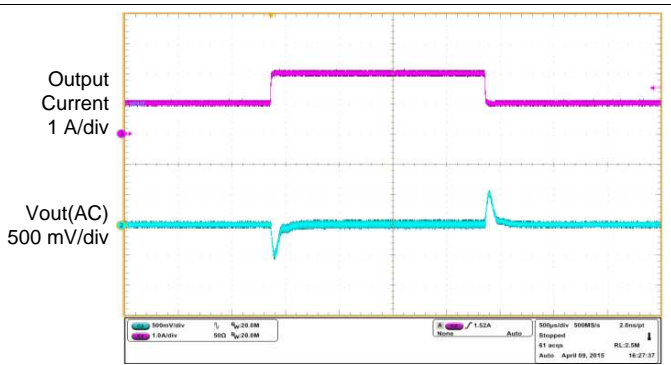


Figure 18. Load Transient ( $V_{OUT} = 9\text{ V}$ ,  $I_{OUT} = 1\text{ to }2\text{ A}$ )

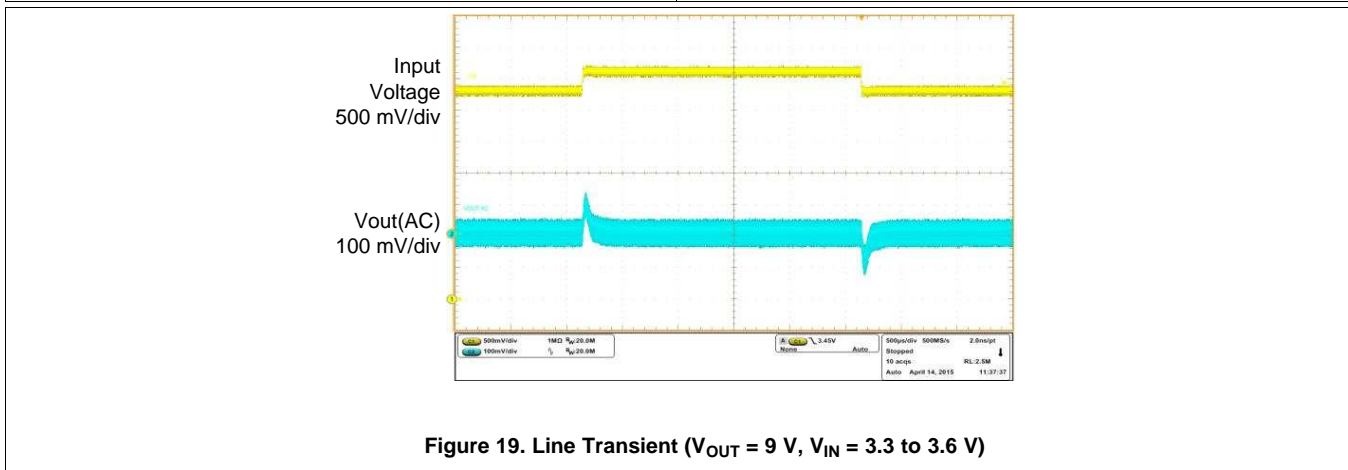


Figure 19. Line Transient ( $V_{OUT} = 9\text{ V}$ ,  $V_{IN} = 3.3\text{ to }3.6\text{ V}$ )

## 9 Power Supply Recommendations

The device is designed to operate from an input voltage supply range between 2.7 V to 12 V. This input supply must be well regulated. If the input supply is located more than a few inches from the converter, additional bulk capacitance may be required in addition to the ceramic bypass capacitors. A typical choice is an electrolytic or tantalum capacitor with a value of 47  $\mu\text{F}$ .

## 10 Layout

### 10.1 Layout Guidelines

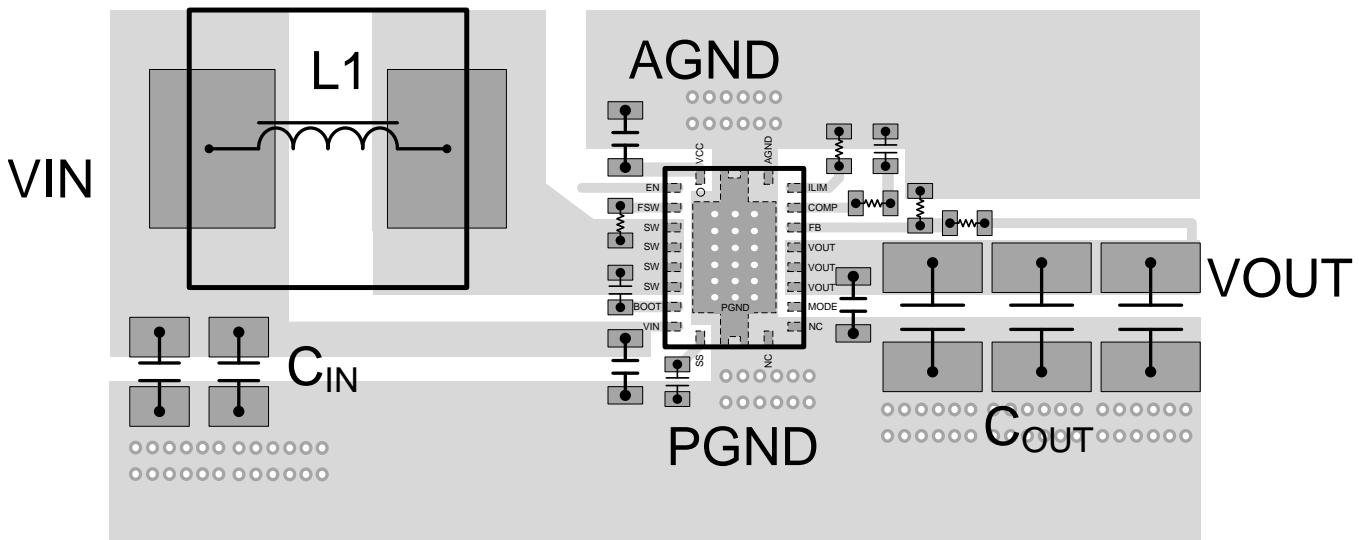
As for all switching power supplies, especially those running at high switching frequency and high currents, layout is an important design step. If layout is not carefully done, the regulator could suffer from instability and noise problems. To maximize efficiency, switch rise and fall times are very fast. To prevent radiation of high-frequency noise (for example, EMI), proper layout of the high-frequency switching path is essential. Minimize the length and area of all traces connected to the SW pin, and always use a ground plane under the switching regulator to minimize interplane coupling.

The input capacitor needs to be close to the VIN pin and GND pin in order to reduce the  $I_{\text{input}}$  supply ripple.

The layout should also be done with well consideration of the thermal as this is a high power density device. A thermal pad that improves the thermal capabilities of the package should be soldered to the large ground plate, using thermal vias underneath the thermal pad.

### 10.2 Layout Example

The bottom layer is a large ground plane connected to the PGND plane and AGND plane on top layer by vias.



**Figure 20. Bottom Layer**

### 10.3 Thermal Considerations

The maximum IC junction temperature should be restricted to 125°C under normal operating conditions. Calculate the maximum allowable dissipation,  $P_{D(max)}$ , and keep the actual power dissipation less than or equal to  $P_{D(max)}$ . The maximum-power-dissipation limit is determined using [Equation 21](#).

$$P_{D(max)} = \frac{125 - T_A}{R_{\theta JA}}$$

where

- $T_A$  is the maximum ambient temperature for the application.
- $R_{\theta JA}$  is the junction-to-ambient thermal resistance given in the *Thermal Information* table. (21)

The TPS61088 comes in a thermally-enhanced VQFN package. This package includes a thermal pad that improves the thermal capabilities of the package. The real junction-to-ambient thermal resistance of the package greatly depends on the PCB type, layout, and thermal pad connection. Using thick PCB copper and soldering the thermal pad to a large ground plate enhance the thermal performance. Using more vias connects the ground plate on the top layer and bottom layer around the IC without solder mask also improves the thermal capability.

## 11 Device and Documentation Support

### 11.1 Custom Design with WEBENCH Tools

[Click here](#) to create a custom design using the TPS61088 device with the WEBENCH® Power Designer.

1. Start by entering your  $V_{IN}$ ,  $V_{OUT}$  and  $I_{OUT}$  requirements.
2. Optimize your design for key parameters like efficiency, footprint and cost using the optimizer dial and compare this design with other possible solutions from Texas Instruments.
3. WEBENCH Power Designer provides you with a customized schematic along with a list of materials with real time pricing and component availability.
4. In most cases, you will also be able to:
  - Run electrical simulations to see important waveforms and circuit performance,
  - Run thermal simulations to understand the thermal performance of your board,
  - Export your customized schematic and layout into popular CAD formats,
  - Print PDF reports for the design, and share your design with colleagues.
5. Get more information about WEBENCH tools at [www.ti.com/webench](http://www.ti.com/webench).

### 11.2 Receiving Notification of Documentation Updates

To receive notification of documentation updates, navigate to the device product folder on ti.com. In the upper right corner, click on *Alert me* to register and receive a weekly digest of any product information that has changed. For change details, review the revision history included in any revised document.

### 11.3 Device Support

#### 11.3.1 Third-Party Products Disclaimer

TI'S PUBLICATION OF INFORMATION REGARDING THIRD-PARTY PRODUCTS OR SERVICES DOES NOT CONSTITUTE AN ENDORSEMENT REGARDING THE SUITABILITY OF SUCH PRODUCTS OR SERVICES OR A WARRANTY, REPRESENTATION OR ENDORSEMENT OF SUCH PRODUCTS OR SERVICES, EITHER ALONE OR IN COMBINATION WITH ANY TI PRODUCT OR SERVICE.

### 11.4 Community Resources

The following links connect to TI community resources. Linked contents are provided "AS IS" by the respective contributors. They do not constitute TI specifications and do not necessarily reflect TI's views; see TI's [Terms of Use](#).

**TI E2E™ Online Community** *TI's Engineer-to-Engineer (E2E) Community*. Created to foster collaboration among engineers. At [e2e.ti.com](http://e2e.ti.com), you can ask questions, share knowledge, explore ideas and help solve problems with fellow engineers.

**Design Support** *TI's Design Support* Quickly find helpful E2E forums along with design support tools and contact information for technical support.

### 11.5 Trademarks

E2E is a trademark of Texas Instruments.  
 WEBENCH is a registered trademark of Texas Instruments.  
 Bluetooth is a trademark of Bluetooth SIG.  
 All other trademarks are the property of their respective owners.

### 11.6 Electrostatic Discharge Caution



These devices have limited built-in ESD protection. The leads should be shorted together or the device placed in conductive foam during storage or handling to prevent electrostatic damage to the MOS gates.

## 11.7 Glossary

[SLYZ022](#) — *TI Glossary*.

This glossary lists and explains terms, acronyms, and definitions.

## 12 Mechanical, Packaging, and Orderable Information

The following pages include mechanical, packaging, and orderable information. This information is the most current data available for the designated devices. This data is subject to change without notice and revision of this document. For browser-based versions of this data sheet, refer to the left-hand navigation.

**PACKAGING INFORMATION**

Orderable Device	Status (1)	Package Type	Package Drawing	Pins	Package Qty	Eco Plan (2)	Lead/Ball Finish (6)	MSL Peak Temp (3)	Op Temp (°C)	Device Marking (4/5)	Samples
TPS61088RHLR	ACTIVE	VQFN	RHL	20	3000	Green (RoHS & no Sb/Br)	CU NIPDAU	Level-2-260C-1 YEAR	-40 to 85	S61088A	<a href="#">Samples</a>
TPS61088RHLT	ACTIVE	VQFN	RHL	20	250	Green (RoHS & no Sb/Br)	CU NIPDAU	Level-2-260C-1 YEAR	-40 to 85	S61088A	<a href="#">Samples</a>

(1) The marketing status values are defined as follows:

**ACTIVE:** Product device recommended for new designs.

**LIFEBUY:** TI has announced that the device will be discontinued, and a lifetime-buy period is in effect.

**NRND:** Not recommended for new designs. Device is in production to support existing customers, but TI does not recommend using this part in a new design.

**PREVIEW:** Device has been announced but is not in production. Samples may or may not be available.

**OBSOLETE:** TI has discontinued the production of the device.

(2) **RoHS:** TI defines "RoHS" to mean semiconductor products that are compliant with the current EU RoHS requirements for all 10 RoHS substances, including the requirement that RoHS substance do not exceed 0.1% by weight in homogeneous materials. Where designed to be soldered at high temperatures, "RoHS" products are suitable for use in specified lead-free processes. TI may reference these types of products as "Pb-Free".

**RoHS Exempt:** TI defines "RoHS Exempt" to mean products that contain lead but are compliant with EU RoHS pursuant to a specific EU RoHS exemption.

**Green:** TI defines "Green" to mean the content of Chlorine (Cl) and Bromine (Br) based flame retardants meet JS709B low halogen requirements of <=1000ppm threshold. Antimony trioxide based flame retardants must also meet the <=1000ppm threshold requirement.

(3) MSL, Peak Temp. - The Moisture Sensitivity Level rating according to the JEDEC industry standard classifications, and peak solder temperature.

(4) There may be additional marking, which relates to the logo, the lot trace code information, or the environmental category on the device.

(5) Multiple Device Markings will be inside parentheses. Only one Device Marking contained in parentheses and separated by a "~" will appear on a device. If a line is indented then it is a continuation of the previous line and the two combined represent the entire Device Marking for that device.

(6) Lead/Ball Finish - Orderable Devices may have multiple material finish options. Finish options are separated by a vertical ruled line. Lead/Ball Finish values may wrap to two lines if the finish value exceeds the maximum column width.

**Important Information and Disclaimer:**The information provided on this page represents TI's knowledge and belief as of the date that it is provided. TI bases its knowledge and belief on information provided by third parties, and makes no representation or warranty as to the accuracy of such information. Efforts are underway to better integrate information from third parties. TI has taken and continues to take reasonable steps to provide representative and accurate information but may not have conducted destructive testing or chemical analysis on incoming materials and chemicals. TI and TI suppliers consider certain information to be proprietary, and thus CAS numbers and other limited information may not be available for release.

In no event shall TI's liability arising out of such information exceed the total purchase price of the TI part(s) at issue in this document sold by TI to Customer on an annual basis.



**OTHER QUALIFIED VERSIONS OF TPS61088 :**

- Automotive: [TPS61088-Q1](#)

## NOTE: Qualified Version Definitions:

- Automotive - Q100 devices qualified for high-reliability automotive applications targeting zero defects

**TAPE AND REEL INFORMATION**

**QUADRANT ASSIGNMENTS FOR PIN 1 ORIENTATION IN TAPE**


\*All dimensions are nominal

Device	Package Type	Package Drawing	Pins	SPQ	Reel Diameter (mm)	Reel Width W1 (mm)	A0 (mm)	B0 (mm)	K0 (mm)	P1 (mm)	W (mm)	Pin1 Quadrant
TPS61088RHLR	VQFN	RHL	20	3000	330.0	12.4	3.71	4.71	1.1	8.0	12.0	Q1
TPS61088RHLR	VQFN	RHL	20	3000	330.0	12.4	3.71	4.71	1.1	8.0	12.0	Q1
TPS61088RHLL	VQFN	RHL	20	250	180.0	12.4	3.71	4.71	1.1	8.0	12.0	Q1
TPS61088RHLL	VQFN	RHL	20	250	180.0	12.4	3.71	4.71	1.1	8.0	12.0	Q1

**TAPE AND REEL BOX DIMENSIONS**


\*All dimensions are nominal

Device	Package Type	Package Drawing	Pins	SPQ	Length (mm)	Width (mm)	Height (mm)
TPS61088RHLR	VQFN	RHL	20	3000	367.0	367.0	35.0
TPS61088RHLR	VQFN	RHL	20	3000	367.0	367.0	35.0
TPS61088RHLLT	VQFN	RHL	20	250	210.0	185.0	35.0
TPS61088RHLLT	VQFN	RHL	20	250	210.0	185.0	35.0

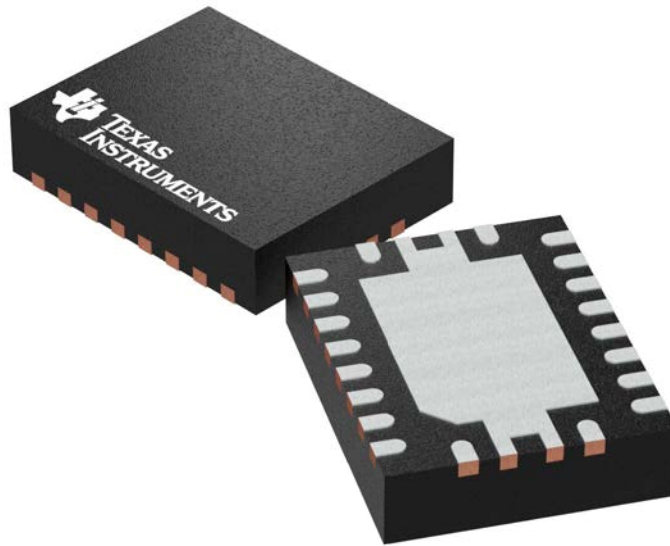
## GENERIC PACKAGE VIEW

**RHL 20**

**VQFN - 1 mm max height**

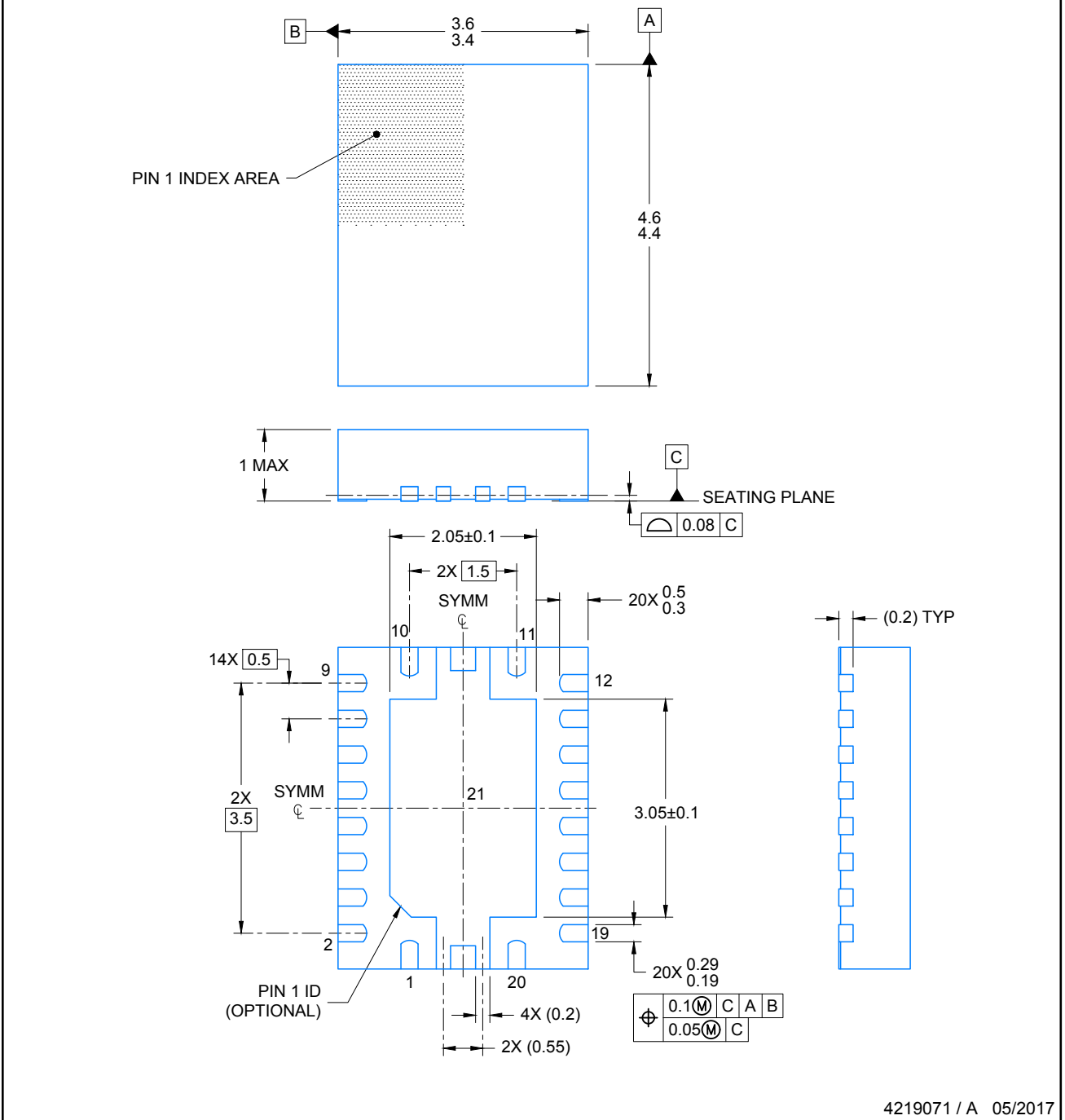
**3.5 x 4.5 mm, 0.5 mm pitch**

PLASTIC QUAD FLATPACK - NO LEAD



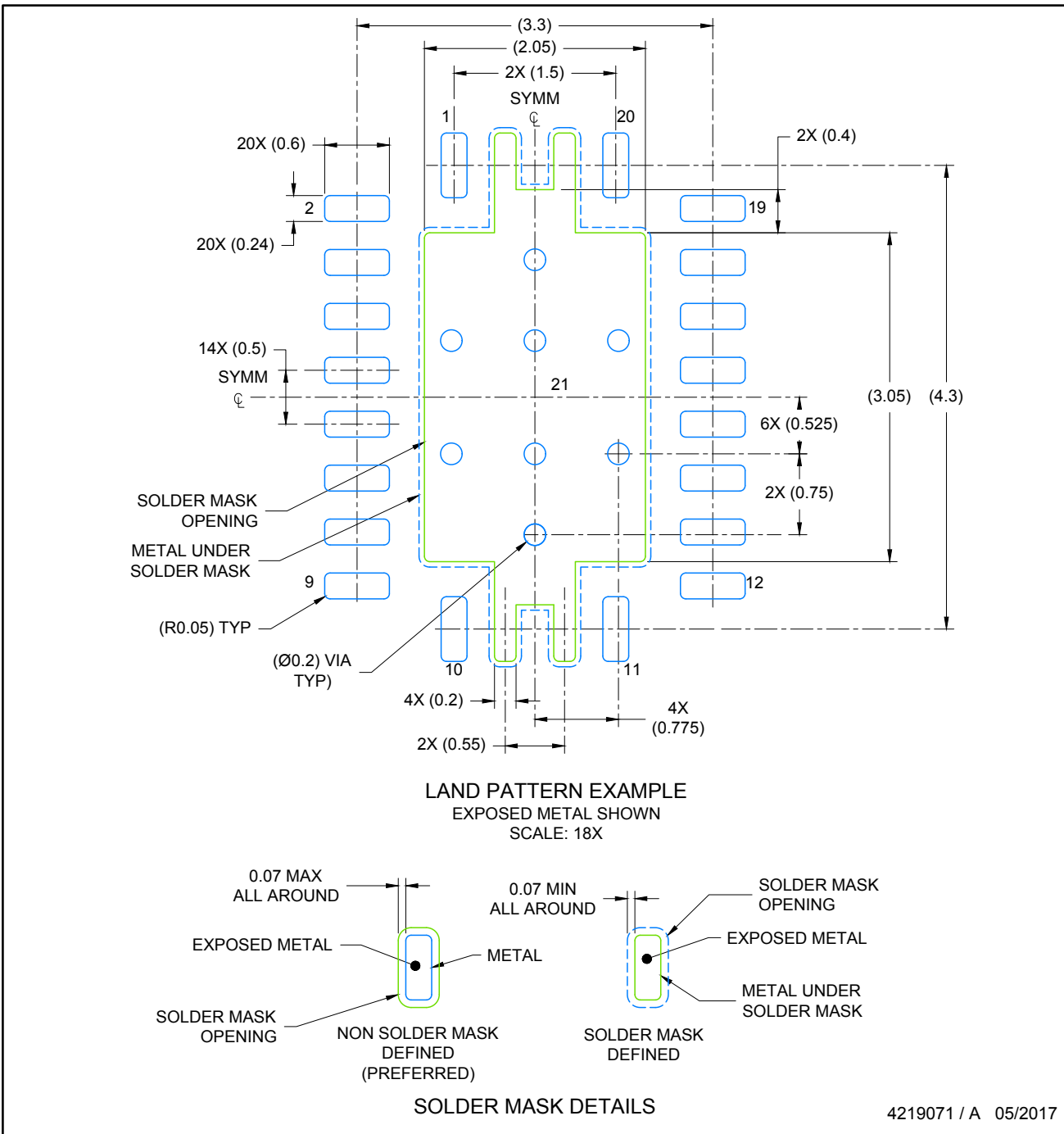
Images above are just a representation of the package family, actual package may vary.  
Refer to the product data sheet for package details.

4205346/L



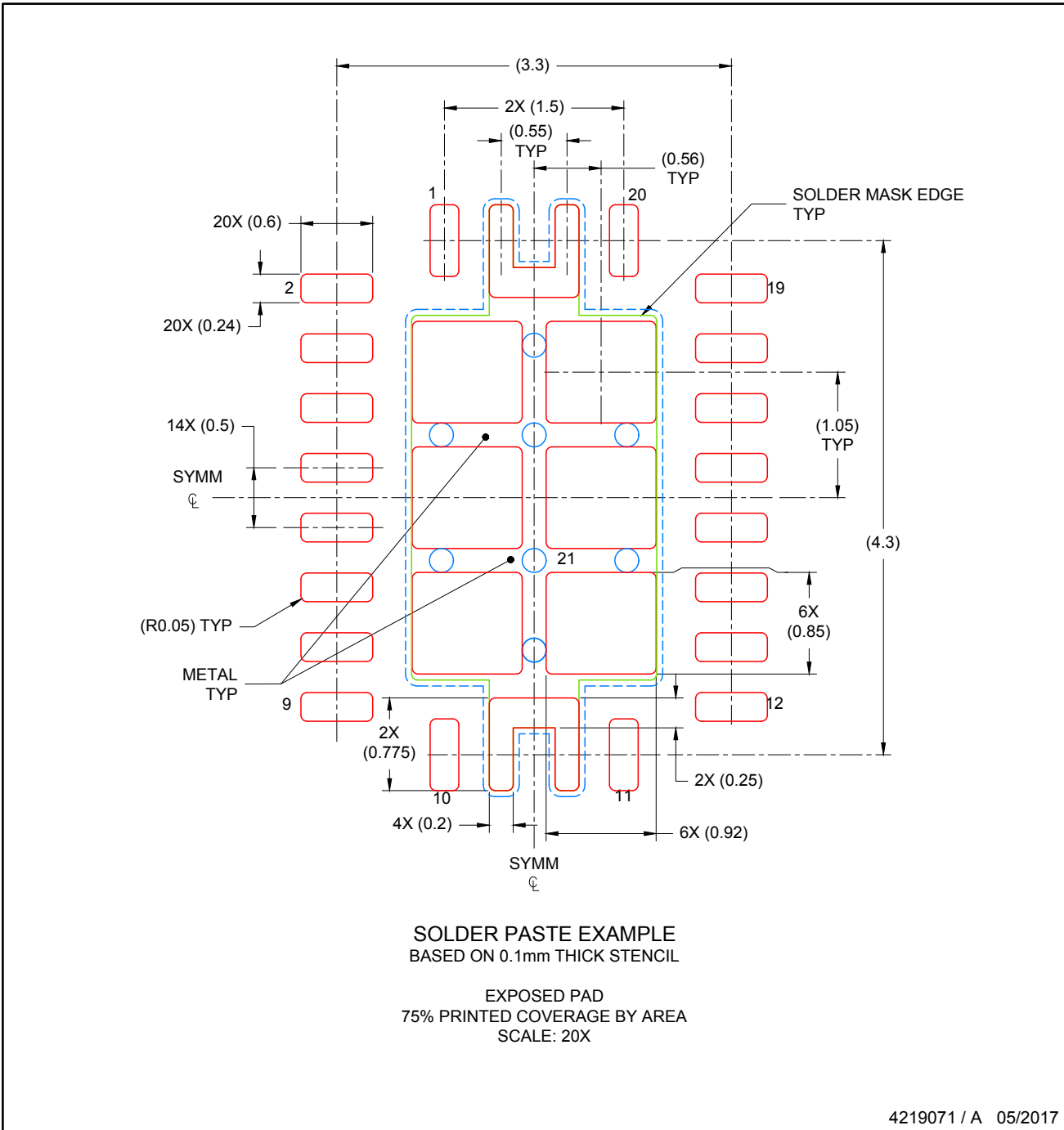
NOTES:

1. All linear dimensions are in millimeters. Any dimensions in parenthesis are for reference only. Dimensioning and tolerancing per ASME Y14.5M.
2. This drawing is subject to change without notice.
3. The package thermal pad must be soldered to the printed circuit board for thermal and mechanical performance.



NOTES: (continued)

4. This package is designed to be soldered to a thermal pad on the board. For more information, see Texas Instruments literature number SLUA271 ([www.ti.com/lit/slua271](http://www.ti.com/lit/slua271)).
5. Solder mask tolerances between and around signal pads can vary based on board fabrication site.
6. Vias are optional depending on application, refer to device data sheet. If any vias are implemented, refer to their locations shown on this view. It is recommended that vias under paste be filled, plugged or tented.



NOTES: (continued)

7. Laser cutting apertures with trapezoidal walls and rounded corners may offer better paste release. IPC-7525 may have alternate design recommendations..

## IMPORTANT NOTICE AND DISCLAIMER

TI PROVIDES TECHNICAL AND RELIABILITY DATA (INCLUDING DATASHEETS), DESIGN RESOURCES (INCLUDING REFERENCE DESIGNS), APPLICATION OR OTHER DESIGN ADVICE, WEB TOOLS, SAFETY INFORMATION, AND OTHER RESOURCES "AS IS" AND WITH ALL FAULTS, AND DISCLAIMS ALL WARRANTIES, EXPRESS AND IMPLIED, INCLUDING WITHOUT LIMITATION ANY IMPLIED WARRANTIES OF MERCHANTABILITY, FITNESS FOR A PARTICULAR PURPOSE OR NON-INFRINGEMENT OF THIRD PARTY INTELLECTUAL PROPERTY RIGHTS.

These resources are intended for skilled developers designing with TI products. You are solely responsible for (1) selecting the appropriate TI products for your application, (2) designing, validating and testing your application, and (3) ensuring your application meets applicable standards, and any other safety, security, or other requirements. These resources are subject to change without notice. TI grants you permission to use these resources only for development of an application that uses the TI products described in the resource. Other reproduction and display of these resources is prohibited. No license is granted to any other TI intellectual property right or to any third party intellectual property right. TI disclaims responsibility for, and you will fully indemnify TI and its representatives against, any claims, damages, costs, losses, and liabilities arising out of your use of these resources.

TI's products are provided subject to TI's Terms of Sale ([www.ti.com/legal/termsofsale.html](http://www.ti.com/legal/termsofsale.html)) or other applicable terms available either on [ti.com](http://ti.com) or provided in conjunction with such TI products. TI's provision of these resources does not expand or otherwise alter TI's applicable warranties or warranty disclaimers for TI products.

Mailing Address: Texas Instruments, Post Office Box 655303, Dallas, Texas 75265  
Copyright © 2019, Texas Instruments Incorporated