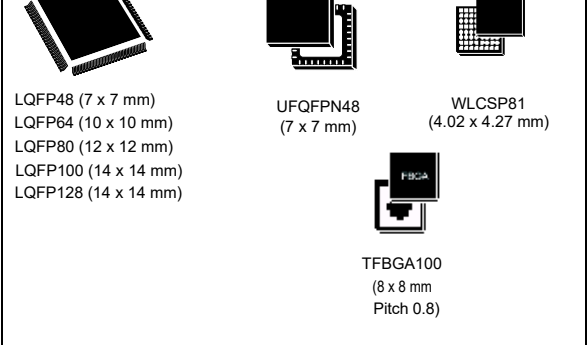


Arm[®] Cortex[®]-M4 32-bit MCU+FPU, 170 MHz / 213DMIPS, 128 KB SRAM, rich analog, math acc, 184 ps 12 chan Hi-res timer, AES

Datasheet - production data

Features

- Core: Arm[®] 32-bit Cortex[®]-M4 CPU with FPU, Adaptive real-time accelerator (ART Accelerator) allowing 0-wait-state execution from Flash memory, frequency up to 170 MHz with 213 DMIPS, MPU, DSP instructions
 - Operating conditions:
 - V_{DD} , V_{DDA} voltage range: 1.71 V to 3.6 V
 - Mathematical hardware accelerators
 - CORDIC for trigonometric functions acceleration
 - FMAC: filter mathematical accelerator
 - Memories
 - 512 Kbytes of Flash memory with ECC support, two banks read-while-write, proprietary code readout protection (PCROP), securable memory area, 1 Kbyte OTP
 - 96 Kbytes of SRAM, with hardware parity check implemented on the first 32 Kbytes
 - Routine booster: 32 Kbytes of SRAM on instruction and data bus, with hardware parity check (CCM SRAM)
 - External memory interface for static memories FSMC supporting SRAM, PSRAM, NOR and NAND memories
 - Quad-SPI memory interface
 - Reset and supply management
 - Power-on/power-down reset (POR/PDR/BOR)
 - Programmable voltage detector (PVD)
 - Low-power modes: sleep, stop, standby and shutdown
 - V_{BAT} supply for RTC and backup registers
 - Clock management
 - 4 to 48 MHz crystal oscillator
 - 32 kHz oscillator with calibration
 - Internal 16 MHz RC with PLL option ($\pm 1\%$)
- 

LQFP48 (7 x 7 mm)
LQFP64 (10 x 10 mm)
LQFP80 (12 x 12 mm)
LQFP100 (14 x 14 mm)
LQFP128 (14 x 14 mm)

UFQFPN48 (7 x 7 mm)

WLCSP81 (4.02 x 4.27 mm)

TFPGA100 (8 x 8 mm Pitch 0.8)
- Internal 32 kHz RC oscillator ($\pm 5\%$)
 - Up to 107 fast I/Os
 - All mappable on external interrupt vectors
 - Several I/Os with 5 V tolerant capability
 - Interconnect matrix
 - 16-channel DMA controller
 - 5 x 12-bit ADCs 0.25 μ s, up to 42 channels. Resolution up to 16-bit with hardware oversampling, 0 to 3.6 V conversion range
 - 7 x 12-bit DAC channels
 - 3 x buffered external channels 1 MSPS
 - 4 x unbuffered internal channels 15 MSPS
 - 7 x ultra-fast rail-to-rail analog comparators
 - 6 x operational amplifiers that can be used in PGA mode, all terminals accessible
 - Internal voltage reference buffer (VREFBUF) supporting three output voltages (2.048 V, 2.5 V, 2.95 V)
 - 17 timers:
 - HRTIM (Hi-Resolution and complex waveform builder): 6 x 16-bit counters, 184 ps resolution, 12 PWM
 - 2 x 32-bit timer and 2 x 16-bit timers with up to four IC/OC/PWM or pulse counter and quadrature (incremental) encoder input
 - 3 x 16-bit 8-channel advanced motor control timers, with up to 8 x PWM

- channels, dead time generation and emergency stop
- 1 x 16-bit timer with 2 x IC/OCs, one OCN/PWM, dead time generation and emergency stop
- 2 x 16-bit timers with IC/OC/OCN/PWM, dead time generation and emergency stop
- 2 x watchdog timers (independent, window)
- 1 x SysTick timer: 24-bit downcounter
- 2 x 16-bit basic timers
- 1 x low-power timer
- Calendar RTC with alarm, periodic wakeup from stop/standby
- Communication interfaces
 - 3 x FDCAN controller supporting flexible data rate
 - 4 x I²C Fast mode plus (1 Mbit/s) with 20 mA current sink, SMBus/PMBus, wakeup from stop
- 5 x USART/UARTs (ISO 7816 interface, LIN, IrDA, modem control)
- 1 x LPUART
- 4 x SPIs, 4 to 16 programmable bit frames, 2 x with multiplexed half duplex I²S interface
- 1 x SAI (serial audio interface)
- USB 2.0 full-speed interface with LPM and BCD support
- IRTIM (infrared interface)
- USB Type-C™ /USB power delivery controller (UCPD)
- True random number generator (RNG)
- CRC calculation unit, 96-bit unique ID
- AES: 128/256-bit key encryption hardware accelerator
- Development support: serial wire debug (SWD), JTAG, Embedded Trace Macrocell™

Table 1. Device summary

| Reference | Part number |
|-------------|---|
| STM32G484xE | STM32G484CE, STM32G484ME, STM32G484RE, STM32G484QE, STM32G484VE |

Contents

| | | |
|----------|---|-----------|
| 1 | Introduction | 13 |
| 2 | Description | 14 |
| 3 | Functional overview | 18 |
| 3.1 | Arm® Cortex®-M4 core with FPU | 18 |
| 3.2 | Adaptive real-time memory accelerator (ART accelerator) | 18 |
| 3.3 | Memory protection unit | 18 |
| 3.4 | Embedded Flash memory | 19 |
| 3.5 | Embedded SRAM | 20 |
| 3.6 | Multi-AHB bus matrix | 20 |
| 3.7 | Boot modes | 21 |
| 3.8 | CORDIC | 21 |
| 3.9 | Filter mathematical accelerator (FMAC) | 21 |
| 3.10 | Cyclic redundancy check calculation unit (CRC) | 22 |
| 3.11 | Power supply management | 22 |
| 3.11.1 | Power supply schemes | 22 |
| 3.11.2 | Power supply supervisor | 23 |
| 3.11.3 | Voltage regulator | 23 |
| 3.11.4 | Low-power modes | 24 |
| 3.11.5 | Reset mode | 24 |
| 3.11.6 | VBAT operation | 25 |
| 3.12 | Interconnect matrix | 26 |
| 3.13 | Clocks and startup | 28 |
| 3.14 | General-purpose inputs/outputs (GPIOs) | 29 |
| 3.15 | Direct memory access controller (DMA) | 29 |
| 3.16 | DMA request router (DMAMux) | 30 |
| 3.17 | Interrupts and events | 30 |
| 3.17.1 | Nested vectored interrupt controller (NVIC) | 30 |
| 3.17.2 | Extended interrupt/event controller (EXTI) | 30 |
| 3.18 | Analog-to-digital converter (ADC) | 31 |
| 3.18.1 | Temperature sensor | 31 |

- 3.18.2 Internal voltage reference (VREFINT) 32
- 3.18.3 VBAT battery voltage monitoring 32
- 3.18.4 Operational amplifier internal output (OPAMPxINT): 32
- 3.19 Digital to analog converter (DAC) 32
- 3.20 Voltage reference buffer (VREFBUF) 33
- 3.21 Comparators (COMP) 34
- 3.22 Operational amplifier (OPAMP) 34
- 3.23 Random number generator (RNG) 34
- 3.24 Advanced encryption standard hardware accelerator (AES) 34
- 3.25 Timers and watchdogs 35
 - 3.25.1 High-resolution timer (HRTIM) 36
 - 3.25.2 Advanced motor control timer (TIM1, TIM8, TIM20) 36
 - 3.25.3 General-purpose timers (TIM2, TIM3, TIM4, TIM5, TIM15, TIM16, TIM17) 37
 - 3.25.4 Basic timers (TIM6 and TIM7) 37
 - 3.25.5 Low-power timer (LPTIM1) 38
 - 3.25.6 Independent watchdog (IWDG) 38
 - 3.25.7 System window watchdog (WWDG) 38
 - 3.25.8 SysTick timer 38
- 3.26 Real-time clock (RTC) and backup registers 39
- 3.27 Tamper and backup registers (TAMP) 39
- 3.28 Infrared transmitter 40
- 3.29 Inter-integrated circuit interface (I²C) 41
- 3.30 Universal synchronous/asynchronous receiver transmitter (USART) ... 42
- 3.31 Low-power universal asynchronous receiver transmitter (LPUART) 43
- 3.32 Serial peripheral interface (SPI) 43
- 3.33 Serial audio interfaces (SAI) 44
- 3.34 Controller area network (FDCAN1, FDCAN2, FDCAN3) 45
- 3.35 Universal serial bus (USB) 45
- 3.36 USB Type-C™ / USB Power Delivery controller (UCPD) 45
- 3.37 Clock recovery system (CRS) 46
- 3.38 Flexible static memory controller (FSMC) 46
- 3.39 Quad SPI memory interface (QUADSPI) 47
- 3.40 Development support 48
 - 3.40.1 Serial wire JTAG debug port (SWJ-DP) 48

| | | | |
|----------|--------|---|-----------|
| | 3.40.2 | Embedded trace macrocell™ | 48 |
| 4 | | Pinouts and pin description | 49 |
| | 4.1 | UFQFPN48 pinout description | 49 |
| | 4.2 | LQFP48 pinout description | 50 |
| | 4.3 | LQFP64 pinout description | 51 |
| | 4.4 | LQFP80 pinout description | 52 |
| | 4.5 | LQFP100 pinout description | 53 |
| | 4.6 | LQFP128 pinout description | 54 |
| | 4.7 | WLCSP81 pinout description | 55 |
| | 4.8 | TFBGA100 pinout description | 55 |
| | 4.9 | Pin definition | 56 |
| | 4.10 | Alternate functions | 73 |
| 5 | | Electrical characteristics | 80 |
| | 5.1 | Parameter conditions | 80 |
| | | 5.1.1 Minimum and maximum values | 80 |
| | | 5.1.2 Typical values | 80 |
| | | 5.1.3 Typical curves | 80 |
| | | 5.1.4 Loading capacitor | 80 |
| | | 5.1.5 Pin input voltage | 80 |
| | | 5.1.6 Power supply scheme | 81 |
| | | 5.1.7 Current consumption measurement | 82 |
| | 5.2 | Absolute maximum ratings | 82 |
| | 5.3 | Operating conditions | 84 |
| | | 5.3.1 General operating conditions | 84 |
| | | 5.3.2 Operating conditions at power-up / power-down | 86 |
| | | 5.3.3 Embedded reset and power control block characteristics | 86 |
| | | 5.3.4 Embedded voltage reference | 88 |
| | | 5.3.5 Supply current characteristics | 89 |
| | | 5.3.6 Wakeup time from low-power modes and voltage scaling transition times | 122 |
| | | 5.3.7 External clock source characteristics | 123 |
| | | 5.3.8 Internal clock source characteristics | 128 |
| | | 5.3.9 PLL characteristics | 131 |
| | | 5.3.10 Flash memory characteristics | 132 |

| | | |
|----------|--|------------|
| 5.3.11 | EMC characteristics | 133 |
| 5.3.12 | Electrical sensitivity characteristics | 134 |
| 5.3.13 | I/O current injection characteristics | 135 |
| 5.3.14 | I/O port characteristics | 136 |
| 5.3.15 | NRST pin characteristics | 141 |
| 5.3.16 | High-resolution timer (HRTIM) | 142 |
| 5.3.17 | Extended interrupt and event controller input (EXTI) characteristics | 144 |
| 5.3.18 | Analog switches booster | 145 |
| 5.3.19 | Analog-to-digital converter characteristics | 146 |
| 5.3.20 | Digital-to-Analog converter characteristics | 161 |
| 5.3.21 | Voltage reference buffer characteristics | 168 |
| 5.3.22 | Comparator characteristics | 171 |
| 5.3.23 | Operational amplifiers characteristics | 172 |
| 5.3.24 | Temperature sensor characteristics | 176 |
| 5.3.25 | V _{BAT} monitoring characteristics | 176 |
| 5.3.26 | Timer characteristics | 177 |
| 5.3.27 | Communication interfaces characteristics | 178 |
| 5.3.28 | FSMC characteristics | 188 |
| 5.3.29 | QUADSPI characteristics | 205 |
| 5.3.30 | UCPD characteristics | 207 |
| 6 | Package information | 208 |
| 6.1 | WLCSP81 package information | 208 |
| 6.2 | UFQFPN48 package information | 211 |
| 6.3 | LQFP48 package information | 214 |
| 6.4 | LQFP64 package information | 218 |
| 6.5 | LQFP80 package information | 221 |
| 6.6 | TFBGA100 package information | 223 |
| 6.7 | LQFP100 package information | 226 |
| 6.8 | LQFP128 package information | 229 |
| 6.9 | Thermal characteristics | 232 |
| 6.9.1 | Reference document | 233 |
| 6.9.2 | Selecting the product temperature range | 233 |
| 7 | Ordering information | 236 |

8 Revision history 237

List of tables

| | | |
|-----------|--|-----|
| Table 1. | Device summary | 2 |
| Table 2. | STM32G484xE features and peripheral counts | 15 |
| Table 3. | STM32G484xE peripherals interconnect matrix | 26 |
| Table 4. | DMA implementation | 29 |
| Table 5. | Temperature sensor calibration values | 32 |
| Table 6. | Internal voltage reference calibration values | 32 |
| Table 7. | Timer feature comparison | 35 |
| Table 8. | I2C implementation | 41 |
| Table 9. | USART/UART/LPUART features | 42 |
| Table 10. | SAI implementation for the features implementation | 44 |
| Table 11. | Legend/abbreviations used in the pinout table | 56 |
| Table 12. | STM32G484xE pin definition | 57 |
| Table 13. | Alternate function | 73 |
| Table 14. | Voltage characteristics | 82 |
| Table 15. | Current characteristics | 83 |
| Table 16. | Thermal characteristics | 83 |
| Table 17. | General operating conditions | 84 |
| Table 18. | Operating conditions at power-up / power-down | 86 |
| Table 19. | Embedded reset and power control block characteristics | 86 |
| Table 20. | Embedded internal voltage reference | 88 |
| Table 21. | Current consumption in Run and Low-power run modes, code with data processing running from Flash in single Bank, ART enable (Cache ON Prefetch OFF) | 90 |
| Table 22. | Current consumption in Run and Low-power run modes, code with data processing running from Flash in dual bank, ART enable (Cache ON Prefetch OFF) | 92 |
| Table 23. | Current consumption in Run and Low-power run modes, code with data processing running from Flash in single bank, ART disable | 94 |
| Table 24. | Current consumption in Run and Low-power run modes, code with data processing running from Flash in dual bank, ART disable | 96 |
| Table 25. | Current consumption in Run and Low-power run modes, code with data processing running from SRAM1 | 98 |
| Table 26. | Typical current consumption in Run and Low-power run modes, with different codes running from Flash, ART enable (Cache ON Prefetch OFF) | 100 |
| Table 27. | Typical current consumption in Run and Low-power run modes, with different codes running from Flash, ART disable | 102 |
| Table 28. | Typical current consumption in Run and Low-power run modes, with different codes running from SRAM1 | 104 |
| Table 29. | Typical current consumption in Run and Low-power run modes, with different codes running from SRAM2 | 105 |
| Table 30. | Typical current consumption in Run and Low-power run modes, with different codes running from CCMSRAM | 106 |
| Table 31. | Current consumption in Sleep and Low-power sleep mode Flash ON | 107 |
| Table 32. | Current consumption in low-power sleep modes, Flash in power-down | 108 |
| Table 33. | Current consumption in Stop 1 mode | 109 |
| Table 34. | Current consumption in Stop 0 mode | 110 |
| Table 35. | Current consumption in Standby mode | 110 |
| Table 36. | Current consumption in Shutdown mode | 112 |
| Table 37. | Current consumption in VBAT mode | 114 |
| Table 38. | Peripheral current consumption | 116 |

| | | |
|-----------|---|-----|
| Table 39. | Low-power mode wakeup timings | 122 |
| Table 40. | Regulator modes transition times | 123 |
| Table 41. | Wakeup time using USART/LPUART | 123 |
| Table 42. | High-speed external user clock characteristics | 123 |
| Table 43. | Low-speed external user clock characteristics | 124 |
| Table 44. | HSE oscillator characteristics | 125 |
| Table 45. | LSE oscillator characteristics ($f_{LSE} = 32.768$ kHz) | 127 |
| Table 46. | HSI16 oscillator characteristics | 128 |
| Table 47. | HSI48 oscillator characteristics | 129 |
| Table 48. | LSI oscillator characteristics | 130 |
| Table 49. | PLL characteristics | 131 |
| Table 50. | Flash memory characteristics | 132 |
| Table 51. | Flash memory endurance and data retention | 132 |
| Table 52. | EMS characteristics | 133 |
| Table 53. | EMI characteristics | 134 |
| Table 54. | ESD absolute maximum ratings | 134 |
| Table 55. | Electrical sensitivities | 135 |
| Table 56. | I/O current injection susceptibility | 135 |
| Table 57. | I/O static characteristics | 136 |
| Table 58. | Output voltage characteristics | 138 |
| Table 59. | I/O (except FT_c) AC characteristics | 139 |
| Table 60. | I/O FT_c AC characteristics | 140 |
| Table 61. | NRST pin characteristics | 141 |
| Table 62. | HRTIM characteristics | 142 |
| Table 63. | HRTIM output response to fault protection | 143 |
| Table 64. | HRTIM output response to external events 1 to 5 (Low-Latency mode) | 143 |
| Table 65. | HRTIM output response to external events 1 to 10 (Synchronous mode) | 144 |
| Table 66. | HRTIM synchronization input / output | 144 |
| Table 67. | EXTI input characteristics | 144 |
| Table 68. | Analog switches booster characteristics | 145 |
| Table 69. | ADC characteristics | 146 |
| Table 70. | Maximum ADC RAIN | 149 |
| Table 71. | ADC accuracy - limited test conditions 1 | 151 |
| Table 72. | ADC accuracy - limited test conditions 2 | 153 |
| Table 73. | ADC accuracy - limited test conditions 3 | 155 |
| Table 74. | ADC accuracy (Multiple ADCs operation) - limited test conditions 1 | 157 |
| Table 75. | ADC accuracy (Multiple ADCs operation) - limited test conditions 2 | 158 |
| Table 76. | ADC accuracy (Multiple ADCs operation) - limited test conditions 3 | 159 |
| Table 77. | DAC 1MSPS characteristics | 161 |
| Table 78. | DAC 1MSPS accuracy | 164 |
| Table 79. | DAC 15MSPS characteristics | 165 |
| Table 80. | DAC 15MSPS accuracy | 167 |
| Table 81. | VREFBUF characteristics | 168 |
| Table 82. | COMP characteristics | 171 |
| Table 83. | OPAMP characteristics | 172 |
| Table 84. | TS characteristics | 176 |
| Table 85. | V_{BAT} monitoring characteristics | 176 |
| Table 86. | V_{BAT} charging characteristics | 176 |
| Table 87. | TIMx characteristics | 177 |
| Table 88. | IWDG min/max timeout period at 32 kHz (LSI) | 178 |
| Table 89. | WWDG min/max timeout value at 170 MHz (PCLK) | 178 |

| | | |
|------------|---|-----|
| Table 90. | Minimum I2CCLK frequency in all I2C modes | 179 |
| Table 91. | I2C analog filter characteristics | 179 |
| Table 92. | SPI characteristics | 180 |
| Table 93. | I2S characteristics | 183 |
| Table 94. | SAI characteristics | 185 |
| Table 95. | USB electrical characteristics | 187 |
| Table 96. | USART electrical characteristics | 187 |
| Table 97. | Asynchronous non-multiplexed SRAM/PSRAM/NOR read timings | 190 |
| Table 98. | Asynchronous non-multiplexed SRAM/PSRAM/NOR read-NWAIT timings | 190 |
| Table 99. | Asynchronous non-multiplexed SRAM/PSRAM/NOR write timings | 191 |
| Table 100. | Asynchronous non-multiplexed SRAM/PSRAM/NOR write-NWAIT timings | 192 |
| Table 101. | Asynchronous multiplexed PSRAM/NOR read timings | 193 |
| Table 102. | Asynchronous multiplexed PSRAM/NOR read-NWAIT timings | 193 |
| Table 103. | Asynchronous multiplexed PSRAM/NOR write timings | 195 |
| Table 104. | Asynchronous multiplexed PSRAM/NOR write-NWAIT timings | 195 |
| Table 105. | Synchronous multiplexed NOR/PSRAM read timings | 197 |
| Table 106. | Synchronous multiplexed PSRAM write timings | 199 |
| Table 107. | Synchronous non-multiplexed NOR/PSRAM read timings | 200 |
| Table 108. | Synchronous non-multiplexed PSRAM write timings | 202 |
| Table 109. | Switching characteristics for NAND Flash read cycles | 204 |
| Table 110. | Switching characteristics for NAND Flash write cycles | 204 |
| Table 111. | Quad SPI characteristics in SDR mode | 205 |
| Table 112. | QUADSPI characteristics in DDR mode | 205 |
| Table 113. | UCPD characteristics | 207 |
| Table 114. | WLCSP81 - mechanical data | 209 |
| Table 115. | WLCSP81 - recommended PCB design rules | 210 |
| Table 116. | UFQFPN48 - mechanical data | 212 |
| Table 117. | LQFP48 - mechanical data | 215 |
| Table 118. | LQFP64 - mechanical data | 218 |
| Table 119. | LQFP80 - mechanical data | 221 |
| Table 120. | TFBGA100 - mechanical data | 224 |
| Table 121. | TFBGA100 - recommended PCB design rules | 224 |
| Table 122. | LQPF100 - mechanical data | 226 |
| Table 123. | LQFP128 - mechanical data | 229 |
| Table 124. | Package thermal characteristics | 232 |
| Table 125. | Ordering information | 236 |
| Table 126. | Document revision history | 237 |

List of figures

| | | |
|------------|---|-----|
| Figure 1. | STM32G484xE block diagram | 17 |
| Figure 2. | Multi-AHB bus matrix | 20 |
| Figure 3. | Voltage reference buffer | 33 |
| Figure 4. | Infrared transmitter | 40 |
| Figure 5. | STM32G484xE UFQFPN48 pinout | 49 |
| Figure 6. | STM32G484xE LQFP48 pinout | 50 |
| Figure 7. | STM32G484xE LQFP64 pinout | 51 |
| Figure 8. | STM32G484xE LQFP80 pinout | 52 |
| Figure 9. | STM32G484xE LQFP100 pinout | 53 |
| Figure 10. | STM32G484xE LQFP128 pinout | 54 |
| Figure 11. | STM32G484xE WLCSP81 pinout | 55 |
| Figure 12. | STM32G484xE TFBGA100 pinout | 55 |
| Figure 13. | Pin loading conditions | 80 |
| Figure 14. | Pin input voltage | 80 |
| Figure 15. | Power supply scheme | 81 |
| Figure 16. | Current consumption measurement | 82 |
| Figure 17. | VREFINT versus temperature | 89 |
| Figure 18. | High-speed external clock source AC timing diagram | 124 |
| Figure 19. | Low-speed external clock source AC timing diagram | 124 |
| Figure 20. | Typical application with an 8 MHz crystal | 126 |
| Figure 21. | Typical application with a 32.768 kHz crystal | 127 |
| Figure 22. | HSI16 frequency versus temperature | 129 |
| Figure 23. | HSI48 frequency versus temperature | 130 |
| Figure 24. | I/O input characteristics | 137 |
| Figure 25. | I/O AC characteristics definition ⁽¹⁾ | 141 |
| Figure 26. | Recommended NRST pin protection | 142 |
| Figure 27. | ADC accuracy characteristics | 160 |
| Figure 28. | Typical connection diagram using the ADC | 160 |
| Figure 29. | 12-bit buffered / non-buffered DAC | 163 |
| Figure 30. | VREFOUT_TEMP in case VRS = 00 | 169 |
| Figure 31. | VREFOUT_TEMP in case VRS = 01 | 170 |
| Figure 32. | VREFOUT_TEMP in case VRS = 10 | 170 |
| Figure 33. | OPAMP noise density @ 25°C | 175 |
| Figure 34. | SPI timing diagram - slave mode and CPHA = 0 | 181 |
| Figure 35. | SPI timing diagram - slave mode and CPHA = 1 | 182 |
| Figure 36. | SPI timing diagram - master mode | 182 |
| Figure 37. | SAI master timing waveforms | 186 |
| Figure 38. | SAI slave timing waveforms | 186 |
| Figure 39. | Asynchronous non-multiplexed SRAM/PSRAM/NOR read waveforms | 189 |
| Figure 40. | Asynchronous non-multiplexed SRAM/PSRAM/NOR write waveforms | 191 |
| Figure 41. | Asynchronous multiplexed PSRAM/NOR read waveforms | 192 |
| Figure 42. | Asynchronous multiplexed PSRAM/NOR write waveforms | 194 |
| Figure 43. | Synchronous multiplexed NOR/PSRAM read timings | 196 |
| Figure 44. | Synchronous multiplexed PSRAM write timings | 198 |
| Figure 45. | Synchronous non-multiplexed NOR/PSRAM read timings | 200 |
| Figure 46. | Synchronous non-multiplexed PSRAM write timings | 201 |
| Figure 47. | NAND controller waveforms for read access | 203 |
| Figure 48. | NAND controller waveforms for write access | 203 |

| | | |
|------------|--|-----|
| Figure 49. | NAND controller waveforms for common memory read access | 203 |
| Figure 50. | NAND controller waveforms for common memory write access | 204 |
| Figure 51. | Quad SPI timing diagram - SDR mode | 206 |
| Figure 52. | Quad SPI timing diagram - DDR mode | 207 |
| Figure 53. | WLCSP81 - outline | 208 |
| Figure 54. | WLCSP81 - recommended footprint | 209 |
| Figure 55. | UFQFPN48 - outline | 211 |
| Figure 56. | UFQFPN48 - recommended footprint | 212 |
| Figure 57. | UFQFPN48 top view example | 213 |
| Figure 58. | LQFP48 - outline | 214 |
| Figure 59. | LQFP48 - recommended footprint | 216 |
| Figure 60. | LQFP48 top view example | 217 |
| Figure 61. | LQFP64 - outline | 218 |
| Figure 62. | LQFP64 - recommended footprint | 219 |
| Figure 63. | LQFP64 top view example | 220 |
| Figure 64. | LQFP80 - outline | 221 |
| Figure 65. | LQFP80 - recommended footprint | 222 |
| Figure 66. | TFBGA100 - outline | 223 |
| Figure 67. | TFBGA100 - recommended footprint | 224 |
| Figure 68. | LQFP100 - outline | 226 |
| Figure 69. | LQFP100 - recommended footprint | 227 |
| Figure 70. | LQFP100 top view example | 228 |
| Figure 71. | LQFP128 - outline | 229 |
| Figure 72. | LQFP128 top view example | 231 |

1 Introduction

This datasheet provides the ordering information and mechanical device characteristics of the STM32G484xE microcontrollers.

This document should be read in conjunction with the reference manual RM0440 “STM32G4 Series advanced Arm[®] 32-bit MCUs”. The reference manual is available from the STMicroelectronics website www.st.com.

For information on the Arm^{®(a)} Cortex[®]-M4 core, refer to the Cortex[®]-M4 technical reference manual, available from the www.arm.com website.

The logo for Arm, consisting of the lowercase letters 'arm' in a bold, sans-serif font.

a. Arm is a registered trademark of Arm Limited (or its subsidiaries) in the US and/or elsewhere.

2 Description

The STM32G484xE devices are based on the high-performance Arm® Cortex®-M4 32-bit RISC core. They operate at a frequency of up to 170 MHz.

The Cortex-M4 core features a single-precision floating-point unit (FPU), which supports all the Arm single-precision data-processing instructions and all the data types. It also implements a full set of DSP (digital signal processing) instructions and a memory protection unit (MPU) which enhances the application's security.

These devices embed high-speed memories (512 Kbytes of Flash memory, and 128 Kbytes of SRAM), a flexible external memory controller (FSMC) for static memories (for devices with packages of 100 pins and more), a Quad SPI Flash memory interface, and an extensive range of enhanced I/Os and peripherals connected to two APB buses, two AHB buses and a 32-bit multi-AHB bus matrix.

The devices also embed several protection mechanisms for embedded Flash memory and SRAM: readout protection, write protection, securable memory area and proprietary code readout protection.

The devices embed peripherals allowing mathematical/arithmetic function acceleration (CORDIC for trigonometric functions and FMAC unit for filter functions).

They offer five fast 12-bit ADCs (5 Msps), seven comparators, six operational amplifiers, seven DAC channels (3 external and 4 internal), an internal voltage reference buffer, a low-power RTC, two three general-purpose 32-bit timers, three 16-bit PWM timers dedicated to motor control, seven general-purpose 16-bit timers, and one 16-bit low-power timer, and high resolution timer with 184 ps resolution.

They also feature standard and advanced communication interfaces such as:

- Four I2Cs
- Four SPIs multiplexed with two half duplex I2Ss
- Three USARTs, two UARTs and one low-power UART.
- Three FDCANs
- One SAI
- USB device
- UCPD

The STM32G484xE devices embed an AES.

The devices operate in the -40 to +85 °C (+105 °C junction) and -40 to +125 °C (+130 °C junction) temperature ranges from a 1.71 to 3.6 V power supply. A comprehensive set of power-saving modes allows the design of low-power applications.

Some independent power supplies are supported including an analog independent supply input for ADC, DAC, OPAMPs and comparators. A V_{BAT} input allows backup of the RTC and the registers.

The STM32G484xE family offers 8 packages from 48-pin to 128-pin.

Table 2. STM32G484xE features and peripheral counts

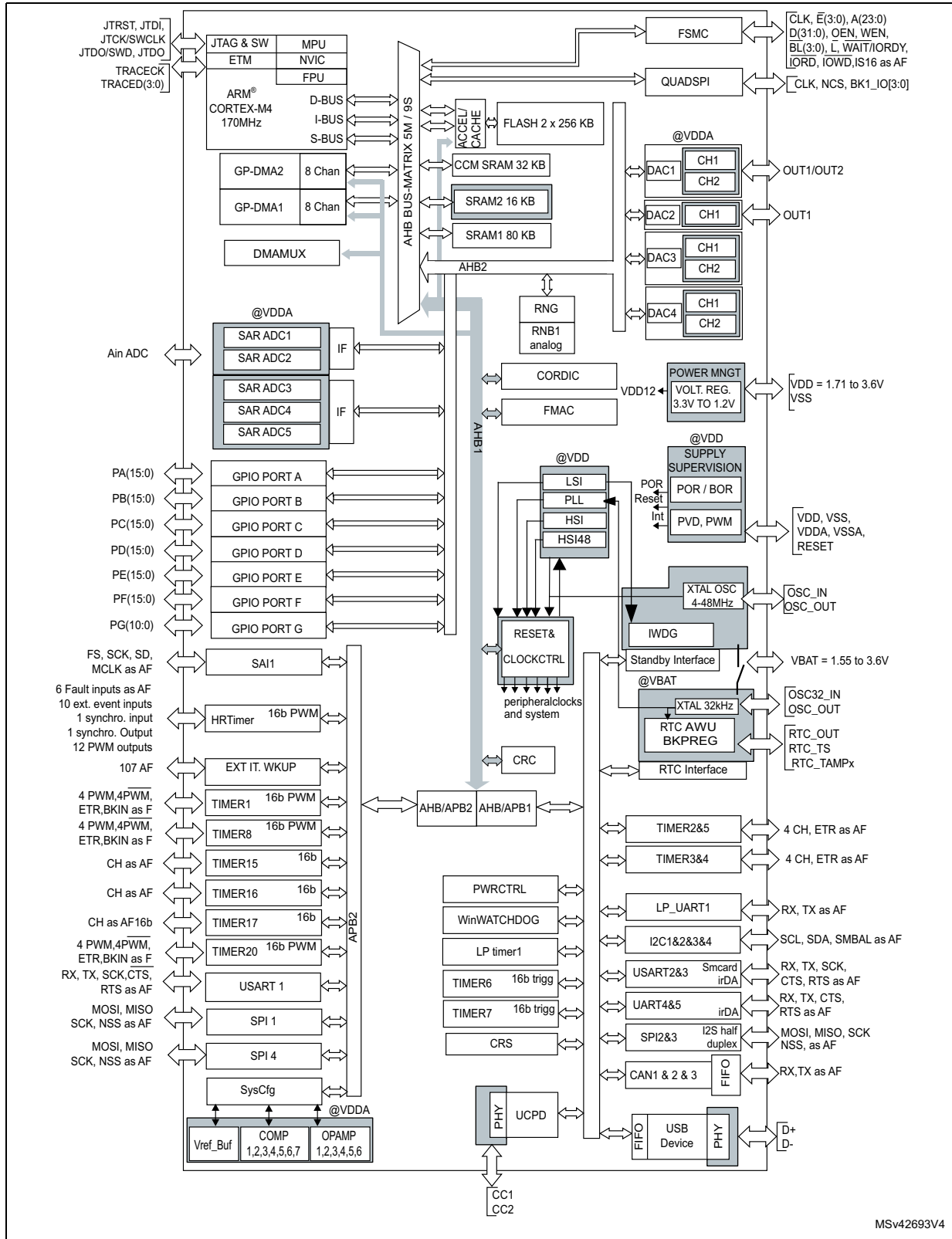
| Peripheral | | STM32G484 CE | STM32G484 RE | STM32G484 ME | STM32G484 VE | STM32G484 QE |
|---|---------------------------------------|-----------------------------------|-----------------|----------------------------------|--------------------|-----------------|
| Flash memory | | 512 KB | | | | |
| SRAM | | 128 (80 + 16+ 32) KB | | | | |
| External memory controller for static memories (FSMC) | | No | | Yes | Yes ⁽¹⁾ | Yes |
| QUADSPI | | 1 | | | | |
| Timers | Advanced motor control | 3 (16-bit) | | | | |
| | HRTIM | 1 | | | | |
| | General purpose | 5 (16-bit) 2 (32-bit) | | | | |
| | Basic | 2 (16-bit) | | | | |
| | Low power | 1 (16-bit) | | | | |
| | SysTick timer | 1 | | | | |
| | Watchdog timers (independent, window) | 2 | | | | |
| Comm. interfaces | SPI(I2S) ⁽²⁾ | 3 (2) | | 4 (2) | | |
| | I ² C | 4 | | | | |
| | USART | 3 | | | | |
| | UART | 0 | 2 | | | |
| | LPUART | 1 | | | | |
| | FDCANs | 3 | | | | |
| | USB device | Yes | | | | |
| | UCPD | Yes | | | | |
| | SAI | Yes | | | | |
| RTC | | Yes | | | | |
| Tamper pins | | 2 | | 3 | | |
| Random number generator | | Yes | | | | |
| AES | | Yes | | | | |
| CORDIC | | Yes | | | | |
| FMAC | | Yes | | | | |
| GPIOs | | 38 in LQFP48 42 in UFQFPN48 | 52 | 67 in WLCSP81 66 in LQFP80 | 86 | 107 |
| Wakeup pins | | 3 | 4 | 4 | 5 | 5 |

Table 2. STM32G484xE features and peripheral counts (continued)

| Peripheral | STM32G484 CE | STM32G484 RE | STM32G484 ME | STM32G484 VE | STM32G484 QE |
|--------------------------------------|---|-----------------|----------------------------------|----------------------|-----------------|
| 12-bit ADCs Number of channels | 5 | | | | |
| | 20 in LQFP48 21 in UFQFPN48 | 26 | 42 in WLCSP81 41 in LQFP80 | 42 | 42 |
| 12-bit DAC Number of channels | 4 7 (3 external + 4 internal) | | | | |
| Internal voltage reference buffer | Yes | | | | |
| Analog comparator | 7 | | | | |
| Operational amplifiers | 6 | | | | |
| Max. CPU frequency | 170 MHz | | | | |
| Operating voltage | 1.71 V to 3.6 V | | | | |
| Operating temperature | Ambient operating temperature: -40 to 85 °C / -40 to 125 °C | | | | |
| Packages | LQFP48/ UFQFPN48 | LQFP64 | WLCSP81 LQFP80 | LQFP100/ TFBGA100 | LQFP128 |

1. For the LQFP100 package, only FMC bank1 and NAND bank are available. Bank1 can only support a multiplexed NOR/PSRAM memory using the NE1 chip select.
2. The SPI2/3 interfaces can work in an exclusive way in either the SPI mode or the I2S audio mode.

Figure 1. STM32G484xE block diagram



MSv42693V4

Note: AF: alternate function on I/O pins.



3 Functional overview

3.1 Arm[®] Cortex[®]-M4 core with FPU

The Arm[®] Cortex[®]-M4 with FPU processor is the latest generation of Arm processors for embedded systems. It was developed to provide a low-cost platform that meets the needs of the MCU implementation, with a reduced pin count and with low-power consumption, while delivering outstanding computational performance and an advanced response to interrupts.

The Arm[®] Cortex[®]-M4 with FPU 32-bit RISC processor features an exceptional code-efficiency, delivering the expected high-performance from an Arm core in a memory size usually associated with 8-bit and 16-bit devices.

The processor supports a set of DSP instructions which allows an efficient signal processing and a complex algorithm execution. Its single precision FPU speeds up the software development by using metalanguage development tools to avoid saturation.

With its embedded Arm core, the STM32G484xE family is compatible with all Arm tools and software.

Figure 1 shows the general block diagram of the STM32G484xE devices.

3.2 Adaptive real-time memory accelerator (ART accelerator)

The ART accelerator is a memory accelerator that is optimized for the STM32 industry-standard Arm[®] Cortex[®]-M4 processors. It balances the inherent performance advantage of the Arm[®] Cortex[®]-M4 over Flash memory technologies, which normally requires the processor to wait for the Flash memory at higher frequencies.

3.3 Memory protection unit

The memory protection unit (MPU) is used to manage the CPU accesses to the memory and to prevent one task to accidentally corrupt the memory or the resources used by any other active task. This memory area is organized into up to 8 protected areas, which can be divided in up into 8 subareas each. The protection area sizes range between 32 bytes and the whole 4 gigabytes of addressable memory.

The MPU is especially helpful for applications where some critical or certified code has to be protected against the misbehavior of other tasks. It is usually managed by an RTOS (real-time operating system). If a program accesses a memory location that is prohibited by the MPU, the RTOS can detect it and take action. In an RTOS environment, the kernel can dynamically update the MPU area setting based on the process to be executed.

The MPU is optional and can be bypassed for applications that do not need it.

3.4 Embedded Flash memory

The STM32G484xE devices feature 512 kbytes of embedded Flash memory which is available for storing programs and data.

The Flash interface features:

- Single or dual bank operating modes
- Read-while-write (RWW) in dual bank mode

This feature allows to perform a read operation from one bank while an erase or program operation is performed to the other bank. The dual bank boot is also supported.

Flexible protections can be configured thanks to the option bytes:

- Readout protection (RDP) to protect the whole memory. Three levels of protection are available:
 - Level 0: no readout protection
 - Level 1: memory readout protection; the Flash memory cannot be read from or written to if either the debug features are connected or the boot in RAM or bootloader are selected
 - Level 2: chip readout protection; the debug features (Cortex-M4 JTAG and serial wire), the boot in RAM and the bootloader selection are disabled (JTAG fuse). This selection is irreversible.
- Write protection (WRP): the protected area is protected against erasing and programming.
- Proprietary code readout protection (PCROP): a part of the Flash memory can be protected against read and write from third parties. The protected area is execute-only and it can only be reached by the STM32 CPU as an instruction code, while all other accesses (DMA, debug and CPU data read, write and erase) are strictly prohibited. An additional option bit (PCROP_RDP) allows to select if the PCROP area is erased or not when the RDP protection is changed from Level 1 to Level 0.
- Securable memory area: a part of Flash memory can be configured by option bytes to be securable. After reset this securable memory area is not secured and it behaves like the remainder of main Flash memory (execute, read, write access). When secured, any access to this securable memory area generates corresponding read/write error. Purpose of the Securable memory area is to protect sensitive code and data (secure keys storage) which can be executed only once at boot, and never again unless a new reset occurs.

The Flash memory embeds the error correction code (ECC) feature supporting:

- Single error detection and correction
- Double error detection
- The address of the ECC fail can be read in the ECC register
- 1 Kbyte (128 double word) OTP (one-time programmable) bytes for user data. The OTP area is available in Bank 1 only. The OTP data cannot be erased and can be written only once.

3.5 Embedded SRAM

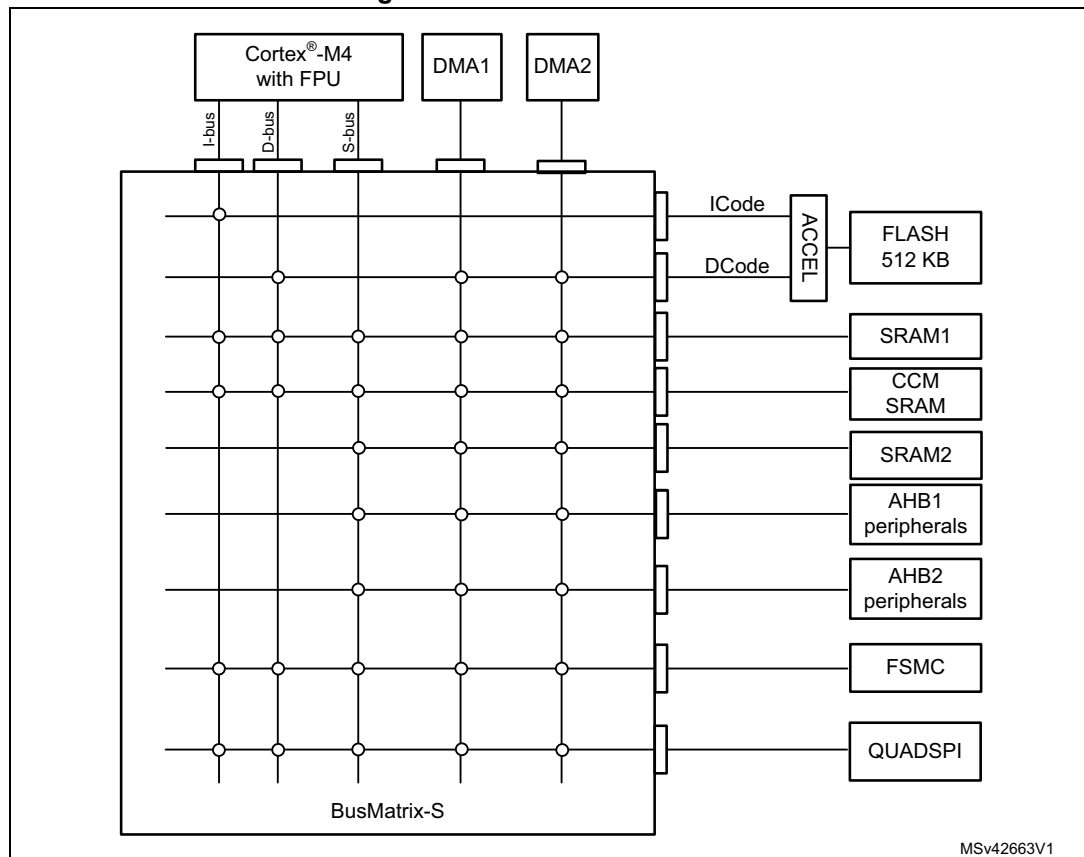
STM32G484xE devices feature 128 Kbytes of embedded SRAM. This SRAM is split into three blocks:

- 80 Kbytes mapped at address 0x2000 0000 (SRAM1). The CM4 can access the SRAM1 through the System Bus. The first 32 Kbyte of SRAM1 support hardware parity check.
- 16 Kbytes mapped at address 0x2001 4000 (SRAM2). The CM4 can access the SRAM2 through the System bus. SRAM2 can be retained in standby modes.
- 32 Kbytes mapped at address 0x1000 0000 (CCM SRAM). It is accessed by the CPU through I-Code/D-Code bus for maximum performance. It is also aliased at 0x2001 8000 address to be accessed by all masters (CPU, DMA1, DMA2) through SBUS contiguously to SRAM1 and SRAM2. The CCM SRAM supports hardware parity check and can be write-protected with 1 Kbyte granularity.
- The memory can be accessed in read/write at max CPU clock speed with 0 wait states.

3.6 Multi-AHB bus matrix

The 32-bit multi-AHB bus matrix interconnects all the masters (CPU, DMAs) and the slaves (Flash memory, RAM, FSMC, QUADSPI, AHB and APB peripherals). It also ensures a seamless and efficient operation even when several high-speed peripherals work simultaneously.

Figure 2. Multi-AHB bus matrix



3.7 Boot modes

At startup, a BOOT0 pin (or nBOOT0 option bit) and an nBOOT1 option bit are used to select one of three boot options:

- Boot from user Flash
- Boot from system memory
- Boot from embedded SRAM

The BOOT0 value may come from the PB8-BOOT0 pin or from an nBOOT0 option bit depending on the value of a user nBOOT_SEL option bit to free the GPIO pad if needed.

The boot loader is located in the system memory. It is used to reprogram the Flash memory by using USART, I2C, SPI, and USB through the DFU (device firmware upgrade).

3.8 CORDIC

The CORDIC provides hardware acceleration of certain mathematical functions, notably trigonometric, commonly used in motor control, metering, signal processing and many other applications.

It speeds up the calculation of these functions compared to a software implementation, allowing a lower operating frequency, or freeing up processor cycles in order to perform other tasks.

Cordic features

- 24-bit CORDIC rotation engine
- Circular and Hyperbolic modes
- Rotation and Vectoring modes
- Functions: Sine, Cosine, Sinh, Cosh, Atan, Atan2, Atanh, Modulus, Square root, Natural logarithm
- Programmable precision up to 20-bit
- Fast convergence: 4 bits per clock cycle
- Supports 16-bit and 32-bit fixed point input and output formats
- Low latency AHB slave interface
- Results can be read as soon as ready without polling or interrupt
- DMA read and write channels

3.9 Filter mathematical accelerator (FMAC)

The filter mathematical accelerator unit performs arithmetic operations on vectors. It comprises a multiplier/accumulator (MAC) unit, together with address generation logic, which allows it to index vector elements held in local memory.

The unit includes support for circular buffers on input and output, which allows digital filters to be implemented. Both finite and infinite impulse response filters can be realized.

The unit allows frequent or lengthy filtering operations to be offloaded from the CPU, freeing up the processor for other tasks. In many cases it can accelerate such calculations compared to a software implementation, resulting in a speed-up of time critical tasks.

FMAC features

- 16 x 16-bit multiplier
- 24+2-bit accumulator with addition and subtraction
- 16-bit input and output data
- 256 x 16-bit local memory
- Up to three areas can be defined in memory for data buffers (two input, one output), defined by programmable base address pointers and associated size registers
- Input and output sample buffers can be circular
- Buffer “watermark” feature reduces overhead in interrupt mode
- Filter functions: FIR, IIR (direct form 1)
- AHB slave interface
- DMA read and write data channels

3.10 Cyclic redundancy check calculation unit (CRC)

The CRC (cyclic redundancy check) calculation unit is used to get a CRC code using a configurable generator with polynomial value and size.

Among other applications, the CRC-based techniques are used to verify data transmission or storage integrity. In the scope of the EN/IEC 60335-1 standard, they offer a mean to verify the Flash memory integrity.

The CRC calculation unit helps to compute a signature of the software during runtime, which can be ulteriorly compared with a reference signature generated at link-time and which can be stored at a given memory location.

3.11 Power supply management

3.11.1 Power supply schemes

The STM32G484xE devices require a 1.71 V to 3.6 V V_{DD} operating voltage supply. Several independent supplies, can be provided for specific peripherals:

- $V_{DD} = 1.71 \text{ V to } 3.6 \text{ V}$
 V_{DD} is the external power supply for the I/Os, the internal regulator and the system analog such as reset, power management and internal clocks. It is provided externally through the VDD pins.
- $V_{DDA} = 1.62 \text{ V to } 3.6 \text{ V}$ (see [Section 5: Electrical characteristics](#) for the minimum V_{DDA} voltage required for ADC, DAC, COMP, OPAMP, VREFBUF operation).
 V_{DDA} is the external analog power supply for A/D converters, D/A converters, voltage reference buffer, operational amplifiers and comparators. The V_{DDA} voltage level is independent from the V_{DD} voltage and should preferably be connected to V_{DD} when these peripherals are not used.

- $V_{BAT} = 1.55 \text{ V to } 3.6 \text{ V}$
 V_{BAT} is the power supply for RTC, external clock 32 kHz oscillator and backup registers (through power switch) when V_{DD} is not present.
- V_{REF-} , V_{REF+}
 V_{REF+} is the input reference voltage for ADCs and DACs. It is also the output of the internal voltage reference buffer when enabled.
 When $V_{DDA} < 2 \text{ V}$ V_{REF+} must be equal to V_{DDA} .
 When $V_{DDA} \geq 2 \text{ V}$ V_{REF+} must be between 2 V and V_{DDA} .
 The internal voltage reference buffer supports three output voltages, which are configured with VRS bits in the VREFBUF_CSR register:
 - $V_{REF+} = 2.048 \text{ V}$
 - $V_{REF+} = 2.5 \text{ V}$
 - $V_{REF+} = 2.95 \text{ V}$ V_{REF-} is double bonded with V_{SSA} .

3.11.2 Power supply supervisor

The device has an integrated ultra-low-power brown-out reset (BOR) active in all modes (except for Shutdown mode). The BOR ensures proper operation of the device after power-on and during power down. The device remains in reset mode when the monitored supply voltage V_{DD} is below a specified threshold, without the need for an external reset circuit.

The lowest BOR level is 1.71 V at power on, and other higher thresholds can be selected through option bytes. The device features an embedded programmable voltage detector (PVD) that monitors the V_{DD} power supply and compares it to the VPVD threshold. An interrupt can be generated when V_{DD} drops below the VPVD threshold and/or when V_{DD} is higher than the VPVD threshold. The interrupt service routine can then generate a warning message and/or put the MCU into a safe state. The PVD is enabled by software.

In addition, the device embeds a peripheral voltage monitor which compares the independent supply voltages V_{DDA} , with a fixed threshold in order to ensure that the peripheral is in its functional supply range.

3.11.3 Voltage regulator

Two embedded linear voltage regulators, main regulator (MR) and low-power regulator (LPR), supply most of digital circuitry in the device. The MR is used in Run and Sleep modes. The LPR is used in Low-power run, Low-power sleep and Stop modes. In Standby and Shutdown modes, both regulators are powered down and their outputs set in high-impedance state, such as to bring their current consumption close to zero.

The device supports dynamic voltage scaling to optimize its power consumption in Run mode. the voltage from the main regulator that supplies the logic (VCORE) can be adjusted according to the system's maximum operating frequency.

The main regulator (MR) operates in the following ranges:

- Range 1 boost mode with the CPU running at up to 170 MHz.
- Range 1 normal mode with CPU running at up to 150 MHz.
- Range 2 with a maximum CPU frequency of 26 MHz.

3.11.4 Low-power modes

By default, the microcontroller is in Run mode after system or power Reset. It is up to the user to select one of the low-power modes described below:

- **Sleep mode:** In Sleep mode, only the CPU is stopped. All peripherals continue to operate and can wake up the CPU when an interrupt/event occurs.
- **Low-power run mode:** This mode is achieved with VCORE supplied by the low-power regulator to minimize the regulator's operating current. The code can be executed from SRAM or from Flash, and the CPU frequency is limited to 2 MHz. The peripherals with independent clock can be clocked by HSI16.
- **Low-power sleep mode:** This mode is entered from the low-power run mode. Only the CPU clock is stopped. When wakeup is triggered by an event or an interrupt, the system reverts to the Low power run mode.
- **Stop mode:** In Stop mode, the device achieves the lowest power consumption while retaining the SRAM and register contents. All clocks in the VCORE domain are stopped. The PLL, as well as the HSI16 RC oscillator and the HSE crystal oscillator are disabled. The LSE or LSI keep running. The RTC can remain active (Stop mode with RTC, Stop mode without RTC). Some peripherals with wakeup capability can enable the HSI16 RC during Stop mode, so as to get clock for processing the wakeup event.
- **Standby mode:** The Standby mode is used to achieve the lowest power consumption with brown-out reset, BOR. The internal regulator is switched off to power down the VCORE domain. The PLL, as well as the HSI16 RC oscillator and the HSE crystal oscillator are also powered down. The RTC can remain active (Standby mode with RTC, Standby mode without RTC). The BOR always remains active in Standby mode. For each I/O, the software can determine whether a pull-up, a pull-down or no resistor shall be applied to that I/O during Standby mode. Upon entering Standby mode, SRAM and register contents are lost except for registers in the RTC domain and standby circuitry. The device exits Standby mode upon external reset event (NRST pin), IWDG reset event, wakeup event (WKUP pin, configurable rising or falling edge) or RTC event (alarm, periodic wakeup, timestamp, tamper), or when a failure is detected on LSE (CSS on LSE).
- **Shutdown mode:** The Shutdown mode allows to achieve the lowest power consumption. The internal regulator is switched off to power down the VCORE domain. The PLL, as well as the HSI16 and LSI RC-oscillators and HSE crystal oscillator are also powered down. The RTC can remain active (Shutdown mode with RTC, Shutdown mode without RTC). The BOR is not available in Shutdown mode. No power voltage monitoring is possible in this mode. Therefore, switching to RTC domain is not supported. SRAM and register contents are lost except for registers in the RTC domain. The device exits Shutdown mode upon external reset event (NRST pin), IWDG reset event, wakeup event (WKUP pin, configurable rising or falling edge) or RTC event (alarm, periodic wakeup, timestamp, tamper).

3.11.5 Reset mode

In order to improve the consumption under reset, the I/Os state under and after reset is "analog state" (the I/O schmitt trigger is disabled). In addition, the internal reset pull-up is deactivated when the reset source is internal.

3.11.6 V_{BAT} operation

The V_{BAT} pin allows to power the device V_{BAT} domain from an external battery, an external supercapacitor, or from V_{DD} when there is no external battery and when an external supercapacitor is present. The V_{BAT} pin supplies the RTC with LSE and the backup registers. Three anti-tamper detection pins are available in V_{BAT} mode.

The V_{BAT} operation is automatically activated when V_{DD} is not present. An internal V_{BAT} battery charging circuit is embedded and can be activated when V_{DD} is present.

Note: When the microcontroller is supplied from V_{BAT}, neither external interrupts nor RTC alarm/events exit the microcontroller from the V_{BAT} operation.

3.12 Interconnect matrix

Several peripherals have direct connections between them. This allows autonomous communication between peripherals, saving CPU resources thus power supply consumption. In addition, these hardware connections allow fast and predictable latency.

Depending on peripherals, these interconnections can operate in Run, Sleep and Stop modes.

Table 3. STM32G484xE peripherals interconnect matrix

| Interconnect source | Interconnect destination | Interconnect action | Run | Sleep | Low-power run | Low-power sleep | Stop |
|---|------------------------------------|--|-----|-------|---------------|-----------------|------|
| TIMx | TIMx | Timers synchronization or chaining | Y | Y | Y | Y | - |
| | ADCx DACx | Conversion triggers | Y | Y | Y | Y | - |
| | DMA | Memory to memory transfer trigger | Y | Y | Y | Y | - |
| | COMPx | Comparator output blanking | Y | Y | Y | Y | - |
| TIM16/TIM17 | IRTIM | Infrared interface output generation | Y | Y | Y | Y | - |
| COMPx | TIM1, 8, 20 TIM2, 3, 4, 5 | Timer input channel, trigger, break from analog signals comparison | Y | Y | Y | Y | - |
| | LPTIMER1 | Low-power timer triggered by analog signals comparison | Y | Y | Y | Y | Y |
| | HRTIM | COMPx Output is an input event or a fault input for HRTIM | Y | Y | Y | Y | - |
| ADCx | TIM1, 8, 20 | Timer triggered by analog watchdog | Y | Y | Y | Y | - |
| | HRTIM | HRTIM external event source can be ADCx analog watchdog | Y | Y | Y | Y | - |
| RTC | TIM16 | Timer input channel from RTC events | Y | Y | Y | Y | - |
| | LPTIMER1 | Low-power timer triggered by RTC alarms or tampers | Y | Y | Y | Y | Y |
| All clocks sources (internal and external) | TIM5, TIM15, 16, 17 | Clock source used as input channel for RC measurement and trimming | Y | Y | Y | Y | - |
| USB | TIM2 | Timer triggered by USB SOF | Y | Y | - | - | - |
| CSS RAM (parity error) Flash memory (ECC error) COMPx PVD | TIM1,8, 20 TIM15,16,17 HRTIM | Timer break HRTIM SYSFLT | Y | Y | Y | Y | - |

Table 3. STM32G484xE peripherals interconnect matrix (continued)

| Interconnect source | Interconnect destination | Interconnect action | Run | Sleep | Low-power run | Low-power sleep | Stop |
|---------------------|-----------------------------------|---|-----|-------|---------------|-----------------|------|
| CPU (hard fault) | TIM1,8,20 TIM15/16/17 HRTIM | Timer break HRTIM SYSFLT | Y | Y | Y | Y | - |
| GPIO | TIMx | External trigger | Y | Y | Y | Y | - |
| | LPTIMER1 | External trigger | Y | Y | Y | Y | Y |
| | HRTIM | External fault/event/Synchro inputs for HRTIM | Y | Y | Y | Y | - |
| | ADCx DACx | Conversion external trigger | Y | Y | Y | Y | - |
| HRTIM | DACx/ADCx | Conversion trigger | Y | Y | Y | Y | - |
| | GPIO | Synchro output for HRTIM | Y | Y | Y | Y | - |

3.13 Clocks and startup

The clock controller distributes the clocks coming from different oscillators to the core and the peripherals. It also manages clock gating for low-power modes and ensures clock robustness. It features:

- **Clock prescaler:** to get the best trade-off between speed and current consumption, the clock frequency to the CPU and peripherals can be adjusted by a programmable prescaler
- **Safe clock switching:** clock sources can be changed safely on the fly in run mode through a configuration register.
- **Clock management:** to reduce power consumption, the clock controller can stop the clock to the core, individual peripherals or memory.
- **System clock source:** three different sources can deliver SYSCCLK system clock:
 - 4 - 48 MHz high-speed oscillator with external crystal or ceramic resonator (HSE). It can supply clock to system PLL. The HSE can also be configured in bypass mode for an external clock.
 - 16 MHz high-speed internal RC oscillator (HSI16), trimmable by software. It can supply clock to system PLL.
 - System PLL with maximum output frequency of 170 MHz. It can be fed with HSE or HSI16 clocks.
- **RC48 with clock recovery system (HSI48):** internal HSIRC48 MHz clock source can be used to drive the USB or the RNG peripherals.
- **Auxiliary clock source:** two ultra-low-power clock sources for the real-time clock (RTC):
 - 32.768 kHz low-speed oscillator with external crystal (LSE), supporting four drive capability modes. The LSE can also be configured in bypass mode for using an external clock.
 - 32 kHz low-speed internal RC oscillator (LSI) with $\pm 5\%$ accuracy, also used to clock an independent watchdog.
- **Peripheral clock sources:** several peripherals (I2S, USART, I2C, LPTimer, ADC, SAI, RNG) have their own clock independent of the system clock.
- **Clock security system (CSS):** in the event of HSE clock failure, the system clock is automatically switched to HSI16 and, if enabled, a software interrupt is generated. LSE clock failure can also be detected and generate an interrupt.
- Clock-out capability:
 - **MCO:** microcontroller clock output: it outputs one of the internal clocks for external use by the application
 - **LSCO: low speed clock output:** it outputs LSI or LSE in all low-power modes.

Several prescalers allow to configure the AHB frequency, the High-speed APB (APB2) and the low speed APB (APB1) domains. The maximum frequency of the AHB and the APB domains is 170 MHz.

3.14 General-purpose inputs/outputs (GPIOs)

Each of the GPIO pins can be configured by software as output (push-pull or open-drain), as input (with or without pull-up or pull-down) or as peripheral alternate function. Most of the GPIO pins are shared with digital or analog alternate functions. Fast I/O toggling can be achieved thanks to their mapping on the AHB2 bus.

The I/Os alternate function configuration can be locked if needed following a specific sequence in order to avoid spurious writing to the I/Os registers.

3.15 Direct memory access controller (DMA)

The device embeds 2 DMAs. Refer to [Table 4: DMA implementation](#) for the features implementation.

Direct memory access (DMA) is used in order to provide a high-speed data transfer between peripherals and memory as well as from memory to memory. Data can be quickly moved by DMA without any CPU actions. This keeps the CPU resources free for other operations.

The two DMA controllers have 16 channels in total, each one dedicated to manage memory access requests from one or more peripherals. Each controller has an arbiter for handling the priority between DMA requests.

The DMA supports:

- 16 independently configurable channels (requests)
 - Each channel is connected to a dedicated hardware DMA request, a software trigger is also supported on each channel. This configuration is done by software.
- Priorities between requests from channels of one DMA are both software programmable (4 levels: very high, high, medium, low) or hardware programmable in case of equality (request 1 has priority over request 2, etc.)
- Independent source and destination transfer size (byte, half word, word), emulating packing and unpacking. Source/destination addresses must be aligned on the data size.
- Support for circular buffer management
- 3 event flags (DMA half transfer, DMA transfer complete and DMA transfer error) logically ORed together in a single interrupt request for each channel
- Memory-to-memory transfer
- Peripheral-to-memory, memory-to-peripheral, and peripheral-to-peripheral transfers
- Access to Flash, SRAM, APB and AHB peripherals as source and destination
- Programmable number of data to be transferred: up to 65536.

Table 4. DMA implementation

| DMA features | DMA1 | DMA2 |
|----------------------------|------|------|
| Number of regular channels | 8 | 8 |

3.16 DMA request router (DMAMux)

When a peripheral indicates a request for DMA transfer by setting its DMA request line, the DMA request is pending until it is served and the corresponding DMA request line is reset. The DMA request router allows to route the DMA control lines between the peripherals and the DMA controllers of the product.

An embedded multi-channel DMA request generator can be considered as one of such peripherals. The routing function is ensured by a multi-channel DMA request line multiplexer. Each channel selects a unique set of DMA control lines, unconditionally or synchronously with events on synchronization inputs.

For simplicity, the functional description is limited to DMA request lines. The other DMA control lines are not shown in figures or described in the text. The DMA request generator produces DMA requests following events on DMA request trigger inputs.

3.17 Interrupts and events

3.17.1 Nested vectored interrupt controller (NVIC)

The STM32G484xE devices embed a nested vectored interrupt controller which is able to manage 16 priority levels, and to handle up to 102 maskable interrupt channels plus the 16 interrupt lines of the Cortex[®]-M4.

The NVIC benefits are the following:

- Closely coupled NVIC gives low latency interrupt processing
- Interrupt entry vector table address passed directly to the core
- Allows early processing of interrupts
- Processing of late arriving higher priority interrupts
- Support for tail chaining
- Processor state automatically saved
- Interrupt entry restored on interrupt exit with no instruction overhead

The NVIC hardware block provides flexible interrupt management features with minimal interrupt latency.

3.17.2 Extended interrupt/event controller (EXTI)

The extended interrupt/event controller consists of 44 edge detector lines used to generate interrupt/event requests and to wake-up the system from the Stop mode. Each external line can be independently configured to select the trigger event (rising edge, falling edge, both) and can be masked independently.

A pending register maintains the status of the interrupt requests. The internal lines are connected to peripherals with wakeup from Stop mode capability. The EXTI can detect an external line with a pulse width shorter than the internal clock period. Up to 107 GPIOs can be connected to the 16 external interrupt lines.

3.18 Analog-to-digital converter (ADC)

The device embeds five successive approximation analog-to-digital converters with the following features:

- 12-bit native resolution, with built-in calibration
- 4 Msps maximum conversion rate with full resolution
 - Down to 25 ns sampling time
 - Increased conversion rate for lower resolution (up to 6.66 Msps for 6-bit resolution)
- One external reference pin is available on all packages, allowing the input voltage range to be independent from the power supply
- Single-ended and differential mode inputs
- Low-power design
 - Capable of low-current operation at low conversion rate (consumption decreases linearly with speed)
 - Dual clock domain architecture: ADC speed independent from CPU frequency
- Highly versatile digital interface
 - Single-shot or continuous/discontinuous sequencer-based scan mode: 2 groups of analog signals conversions can be programmed to differentiate background and high-priority real-time conversions
 - Each ADC support multiple trigger inputs for synchronization with on-chip timers and external signals
 - Results stored into a data register or in RAM with DMA controller support
 - Data pre-processing: left/right alignment and per channel offset compensation
 - Built-in oversampling unit for enhanced SNR
 - Channel-wise programmable sampling time
 - Analog watchdog for automatic voltage monitoring, generating interrupts and trigger for selected timers
 - Hardware assistant to prepare the context of the injected channels to allow fast context switching
 - Flexible sample time control
 - Hardware gain and offset compensation

3.18.1 Temperature sensor

The temperature sensor (TS) generates a voltage V_{TS} that varies linearly with temperature. The temperature sensor is internally connected to the ADCs input channels which is used to convert the sensor output voltage into a digital value.

The sensor provides good linearity but it has to be calibrated to obtain good overall accuracy of the temperature measurement. As the offset of the temperature sensor varies from chip to chip due to process variation, the uncalibrated internal temperature sensor is suitable for applications that detect temperature changes only.

To improve the accuracy of the temperature sensor measurement, each device is individually factory-calibrated by ST. The temperature sensor factory calibration data are stored by ST in the system memory area, accessible in read-only mode.

Table 5. Temperature sensor calibration values

| Calibration value name | Description | Memory address |
|------------------------|---|---------------------------|
| TS_CAL1 | TS ADC raw data acquired at a temperature of 30 °C (± 5 °C), $V_{DDA} = V_{REF+} = 3.0$ V (± 10 mV) | 0x1FFF 75A8 - 0x1FFF 75A9 |
| TS_CAL2 | TS ADC raw data acquired at a temperature of 110 °C (± 5 °C), $V_{DDA} = V_{REF+} = 3.0$ V (± 10 mV) | 0x1FFF 75CA - 0x1FFF 75CB |

3.18.2 Internal voltage reference (V_{REFINT})

The internal voltage reference (V_{REFINT}) provides a stable (bandgap) voltage output for the ADC and the comparators. The V_{REFINT} is internally connected to the $ADCx_IN18$, $x = 1,3,4,5$ input channel. The precise voltage of V_{REFINT} is individually measured for each part by ST during production test and stored in the system memory area. It is accessible in read-only mode.

Table 6. Internal voltage reference calibration values

| Calibration value name | Description | Memory address |
|------------------------|---|---------------------------|
| V_{REFINT} | Raw data acquired at a temperature of 30 °C (± 5 °C), $V_{DDA} = V_{REF+} = 3.0$ V (± 10 mV) | 0x1FFF 75AA - 0x1FFF 75AB |

3.18.3 V_{BAT} battery voltage monitoring

This embedded hardware enables the application to measure the V_{BAT} battery voltage using the internal $ADC1_IN17$ channel. As the V_{BAT} voltage may be higher than the V_{DDA} , and thus outside the ADC input range, the V_{BAT} pin is internally connected to a bridge divider by 3. As a consequence, the converted digital value is one third of the V_{BAT} voltage.

3.18.4 Operational amplifier internal output ($OPAMPxINT$):

The $OPAMPx$ ($x = 1...6$) output $OPAMPxINT$ can be sampled using an $ADCx$ ($x = 1...5$) internal input channel. In this case, the I/O on which the $OPAMPx$ output is mapped can be used as GPIO.

3.19 Digital to analog converter (DAC)

Seven 12 bit DAC channels (3 external buffered and 4 internal unbuffered) can be used to convert digital signals into analog voltage signal outputs. The chosen design structure is composed of integrated resistor strings and an amplifier in inverting configuration.

This digital interface supports the following features:

- Up to two DAC output channels
- 8-bit or 12-bit output mode
- Buffer offset calibration (factory and user trimming)
- Left or right data alignment in 12-bit mode
- Synchronized update capability
- Noise-wave generation
- Triangular-wave generation
- Saw tooth wave generation
- Dual DAC channel independent or simultaneous conversions
- DMA capability for each channel
- External triggers for conversion
- Sample and hold low-power mode, with internal or external capacitor
- Up to 1 Msps for external output and 15 Msps for internal output

The DAC channels are triggered through the timer update outputs that are also connected to different DMA channels.

3.20 Voltage reference buffer (V_{REFBUF})

The STM32G484xE devices embed a voltage reference buffer which can be used as voltage reference for ADC, DACs and also as voltage reference for external components through the VREF+ pin.

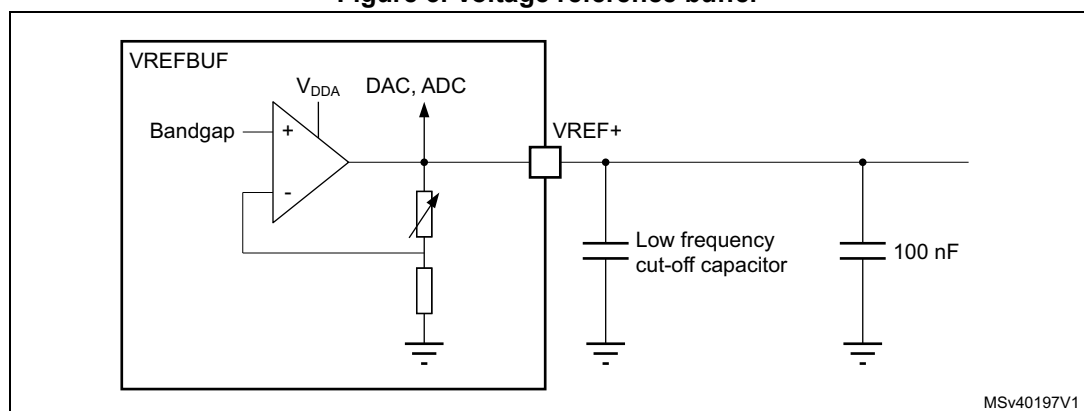
The internal voltage reference buffer supports three voltages:

- 2.048 V
- 2.5 V
- 2.9 V

An external voltage reference can be provided through the VREF+ pin when the internal voltage reference buffer is off.

The VREF+ pin is double-bonded with V_{DDA} on some packages. In these packages the internal voltage reference buffer is not available.

Figure 3. Voltage reference buffer



3.21 Comparators (COMP)

The STM32G484xE devices embed seven rail-to-rail comparators with programmable reference voltage (internal or external), hysteresis.

The reference voltage can be one of the following:

- External I/O
- DAC output channels
- Internal reference voltage or submultiple (1/4, 1/2, 3/4).

All comparators can wake up from Stop mode, generate interrupts and breaks for the timers.

3.22 Operational amplifier (OPAMP)

The STM32G484xE devices embed six operational amplifiers with external or internal follower routing and PGA capability.

The operational amplifier features:

- 15 MHz bandwidth
- Rail-to-rail input/output
- PGA with a non-inverting gain ranging of 2, 4, 8, 16, 32 or 64 or inverting gain ranging of -1, -3, -7, -15, -31 or -63

3.23 Random number generator (RNG)

All devices embed an RNG that delivers 32-bit random numbers generated by an integrated analog circuit.

3.24 Advanced encryption standard hardware accelerator (AES)

The STM32G484xE devices embed an AES hardware accelerator that can be used both to encipher and to decipher data using an AES algorithm.

The AES peripheral supports:

- Encryption/decryption using AES Rijndael block cipher algorithm
- NIST FIPS 197 compliant implementation of AES encryption/decryption algorithm
- 128-bit and 256-bit register for storing the encryption, decryption or derivation key (4x 32-bit registers)
- Electronic codebook (ECB), cipher block chaining (CBC), Counter mode (CTR), Galois Counter Mode (GCM), Galois Message Authentication Code mode (GMAC) and Cipher Message Authentication Code mode (CMAC) supported
- Key scheduler
- Key derivation for decryption
- 128-bit data block processing
- 128-bit, 256-bit key length
- 1x32-bit INPUT buffer and 1x32-bit OUTPUT buffer
- Register access supporting 32-bit data width only
- One 128-bit Register for the initialization vector when AES is configured in CBC mode or for the 32-bit counter initialization when CTR mode is selected, GCM mode or CMAC mode
- Automatic data flow control with support of direct memory access (DMA) using 2 channels, one for incoming data, and one for outgoing data
- Suspend a message if another message with a higher priority needs to be processed.

3.25 Timers and watchdogs

The STM32G484xE devices include One High Resolution time, two advanced motor control timers, up to nine general-purpose timers, two basic timers, one low-power timer, two watchdog timers and a SysTick timer. The table below compares the features of the advanced motor control, general purpose and basic timers.

Table 7. Timer feature comparison

| Timer type | Timer | Counter resolution | Counter type | Prescaler factor | DMA request generation | Capture/compare channels | Complementary outputs |
|------------------------|-------------------|--------------------|-------------------|--|------------------------|--------------------------|-----------------------|
| High resolution timer | HRTIM | 16-bit | Up | /1 /2 /4 (x2 x4 x8 x16 x32, with DLL) | Yes | 12 | Yes |
| Advanced motor control | TIM1, TIM8, TIM20 | 16-bit | Up, down, Up/down | Any integer between 1 and 65536 | Yes | 4 | 4 |
| General-purpose | TIM2, TIM5 | 32-bit | Up, down, Up/down | Any integer between 1 and 65536 | Yes | 4 | No |
| General-purpose | TIM3, TIM4 | 16-bit | Up, down, Up/down | Any integer between 1 and 65536 | Yes | 4 | No |

Table 7. Timer feature comparison (continued)

| Timer type | Timer | Counter resolution | Counter type | Prescaler factor | DMA request generation | Capture/compare channels | Complementary outputs |
|-----------------|--------------|--------------------|--------------|---------------------------------|------------------------|--------------------------|-----------------------|
| General-purpose | TIM15 | 16-bit | Up | Any integer between 1 and 65536 | Yes | 2 | 1 |
| General-purpose | TIM16, TIM17 | 16-bit | Up | Any integer between 1 and 65536 | Yes | 1 | 1 |
| Basic | TIM6, TIM7 | 16-bit | Up | Any integer between 1 and 65536 | Yes | 0 | No |

3.25.1 High-resolution timer (HRTIM)

The high-resolution timer (HRTIM) allows generating digital signals with high-accuracy timings, such as PWM or phase-shifted pulses.

It consists of 7 timers, 1 master and 6 slaves, totaling 12 high-resolution outputs, which can be coupled by pairs for deadtime insertion. It also features 6 fault inputs for protection purposes and 10 inputs to handle external events such as current limitation, zero voltage or zero current switching.

HRTIM timer is made of a digital kernel clocked at 170 MHz followed by delay lines. Delay lines with closed loop control guarantee a 184 ps resolution whatever the voltage, temperature or chip-to-chip manufacturing process deviation. The high-resolution is available on the 12 outputs in all operating modes: variable duty cycle, variable frequency, and constant ON time.

The slave timers can be combined to control multiswitch complex converters or operate independently to manage multiple independent converters.

The waveforms are defined by a combination of user-defined timings and external events such as analog or digital feedbacks signals.

HRTIM timer includes options for blanking and filtering out spurious events or faults. It also offers specific modes and features to offload the CPU: DMA requests, burst mode controller, push-pull and resonant mode.

It supports many topologies including LLC, Full bridge phase shifted, buck or boost converters, either in voltage or current mode, as well as lighting application (fluorescent or LED). It can also be used as a general purpose timer, for instance to achieve high-resolution PWM-emulated DAC.

In debug mode, the HRTIM counters can be frozen and the PWM outputs enter safe state.

3.25.2 Advanced motor control timer (TIM1, TIM8, TIM20)

The advanced motor control timers can each be seen as a four-phase PWM multiplexed on 8 channels. They have complementary PWM outputs with programmable inserted dead-times. They can also be seen as complete general-purpose timers.

The 4 independent channels can be used for:

- Input capture
- Output compare
- PWM generation (edge or center-aligned modes) with full modulation capability (0-100%)
- One-pulse mode output

In debug mode, the advanced motor control timer counter can be frozen and the PWM outputs disabled in order to turn off any power switches driven by these outputs.

Many features are shared with the general-purpose TIMx timers (described in [Section 3.25.3](#)) using the same architecture, so the advanced motor control timers can work together with the TIMx timers via the Timer Link feature for synchronization or event chaining.

3.25.3 General-purpose timers (TIM2, TIM3, TIM4, TIM5, TIM15, TIM16, TIM17)

There are up to seven synchronizable general-purpose timers embedded in the STM32G484xE devices (see [Table 7](#) for differences). Each general-purpose timer can be used to generate PWM outputs, or act as a simple time base.

- TIM2, TIM3, TIM4 and TIM5

They are full-featured general-purpose timers:

- TIM2 and TIM5 have a 32-bit auto-reload up/downcounter and 32-bit prescaler
- TIM3 and TIM4 have 16-bit auto-reload up/downcounter and 16-bit prescaler.

These timers feature 4 independent channels for input capture/output compare, PWM or one-pulse mode output. They can work together, or with the other general-purpose timers via the Timer Link feature for synchronization or event chaining.

The counters can be frozen in debug mode.

All have independent DMA request generation and support quadrature encoders.

- TIM15, 16 and 17

They are general-purpose timers with mid-range features:

They have 16-bit auto-reload upcounters and 16-bit prescalers.

- TIM15 has 2 channels and 1 complementary channel
- TIM16 and TIM17 have 1 channel and 1 complementary channel

All channels can be used for input capture/output compare, PWM or one-pulse mode output.

The timers can work together via the Timer Link feature for synchronization or event chaining. The timers have independent DMA request generation.

The counters can be frozen in debug mode.

3.25.4 Basic timers (TIM6 and TIM7)

The basic timers are mainly used for DAC trigger generation. They can also be used as generic 16-bit timebases.

3.25.5 Low-power timer (LPTIM1)

The devices embed a low-power timer. This timer has an independent clock and are running in Stop mode if it is clocked by LSE, LSI or an external clock. It is able to wakeup the system from Stop mode.

LPTIM1 is active in Stop mode.

This low-power timer supports the following features:

- 16-bit up counter with 16-bit autoreload register
- 16-bit compare register
- Configurable output: pulse, PWM
- Continuous/ one shot mode
- Selectable software/hardware input trigger
- Selectable clock source
 - Internal clock sources: LSE, LSI, HSI16 or APB clock
 - External clock source over LPTIM input (working even with no internal clock source running, used by pulse counter application).
- Programmable digital glitch filter
- Encoder mode

3.25.6 Independent watchdog (IWDG)

The independent watchdog is based on a 12-bit downcounter and an 8-bit prescaler. It is clocked from an independent 32 kHz internal RC (LSI) and as it operates independently from the main clock, it can operate in Stop and Standby modes. It can be used either as a watchdog to reset the device when a problem occurs, or as a free running timer for application timeout management. It is hardware or software configurable through the option bytes. The counter can be frozen in debug mode.

3.25.7 System window watchdog (WWDG)

The window watchdog is based on a 7-bit downcounter that can be set as free running. It can be used as a watchdog to reset the device when a problem occurs. It is clocked from the main clock. It has an early warning interrupt capability and the counter can be frozen in debug mode.

3.25.8 SysTick timer

This timer is dedicated to real-time operating systems, but could also be used as a standard down counter. It features:

- A 24-bit down counter
- Autoreload capability
- Maskable system interrupt generation when the counter reaches 0.
- Programmable clock source

3.26 Real-time clock (RTC) and backup registers

The RTC supports the following features:

- Calendar with subsecond, seconds, minutes, hours (12 or 24 format), week day, date, month, year, in BCD (binary-coded decimal) format.
- Automatic correction for 28, 29 (leap year), 30, and 31 days of the month.
- Two programmable alarms.
- On-the-fly correction from 1 to 32767 RTC clock pulses. This can be used to synchronize it with a master clock.
- Reference clock detection: a more precise second source clock (50 or 60 Hz) can be used to enhance the calendar precision.
- Digital calibration circuit with 0.95 ppm resolution, to compensate for quartz crystal inaccuracy.
- Timestamp feature which can be used to save the calendar content. This function can be triggered by an event on the timestamp pin, or by a tamper event, or by a switch to V_{BAT} mode.
- 17-bit auto-reload wakeup timer (WUT) for periodic events with programmable resolution and period.

The RTC is supplied through a switch that takes power either from the V_{DD} supply when present or from the VBAT pin.

The RTC clock sources can be:

- A 32.768 kHz external crystal (LSE)
- An external resonator or oscillator (LSE)
- The internal low power RC oscillator (LSI, with typical frequency of 32 kHz)
- The high-speed external clock (HSE) divided by 32.

The RTC is functional in V_{BAT} mode and in all low-power modes when it is clocked by the LSE. When clocked by the LSI, the RTC is not functional in V_{BAT} mode, but is functional in all low-power modes except Shutdown mode.

All RTC events (Alarm, WakeUp Timer, Timestamp) can generate an interrupt and wakeup the device from the low-power modes.

3.27 Tamper and backup registers (TAMP)

- 32 32-bit backup registers, retained in all low-power modes and also in V_{BAT} mode. They can be used to store sensitive data as their content is protected by a tamper detection circuit. They are not reset by a system or power reset, or when the device wakes up from Standby or Shutdown mode.
- Up to three tamper pins for external tamper detection events. The external tamper pins can be configured for edge detection, edge and level, level detection with filtering.
- Five internal tampers events.
- Any tamper detection can generate a RTC timestamp event.
- Any tamper detection erases the backup registers.
- Any tamper detection can generate an interrupt and wake-up the device from all low-power modes.

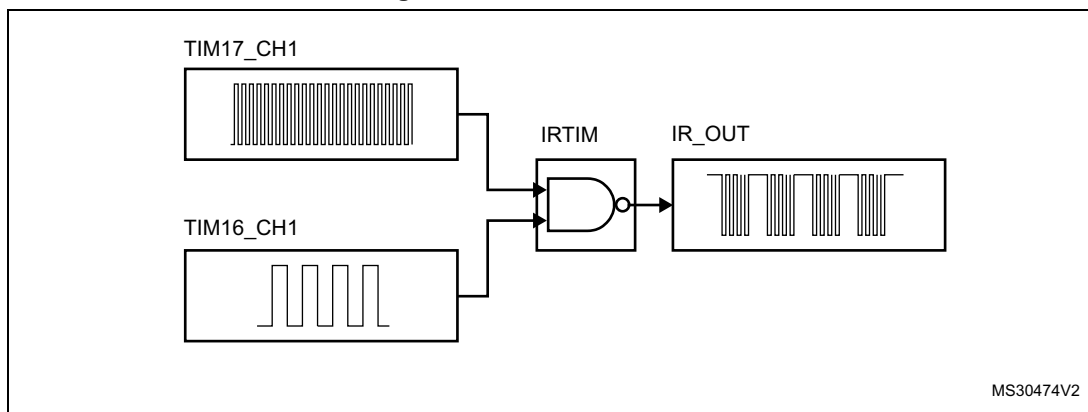
3.28 Infrared transmitter

The STM32G484xE devices provide an infrared transmitter solution. The solution is based on internal connections between TIM16 and TIM17 as shown in the figure below.

TIM17 is used to provide the carrier frequency and TIM16 provides the main signal to be sent. The infrared output signal is available on PB9 or PA13.

To generate the infrared remote control signals, TIM16 channel 1 and TIM17 channel 1 must be properly configured to generate correct waveforms. All standard IR pulse modulation modes can be obtained by programming the two timers output compare channels.

Figure 4. Infrared transmitter



3.29 Inter-integrated circuit interface (I²C)

The device embeds four I2Cs. Refer to [Table 8: I2C implementation](#) for the features implementation.

The I²C bus interface handles communications between the microcontroller and the serial I²C bus. It controls all I²C bus-specific sequencing, protocol, arbitration and timing.

The I2C peripheral supports:

- I²C-bus specification and user manual rev. 5 compatibility:
 - Slave and master modes, multimaster capability
 - Standard-mode (Sm), with a bitrate up to 100 kbit/s
 - Fast-mode (Fm), with a bitrate up to 400 kbit/s
 - Fast-mode Plus (Fm+), with a bitrate up to 1 Mbit/s and 20 mA output drive I/Os
 - 7-bit and 10-bit addressing mode, multiple 7-bit slave addresses
 - Programmable setup and hold times
 - Optional clock stretching
- System management bus (SMBus) specification rev 2.0 compatibility:
 - Hardware PEC (packet error checking) generation and verification with ACK control
 - Address resolution protocol (ARP) support
 - SMBus alert
- Power system management protocol (PMBusTM) specification rev 1.1 compatibility
- Independent clock: a choice of independent clock sources allowing the I2C communication speed to be independent from the PCLK reprogramming.
- Wakeup from Stop mode on address match
- Programmable analog and digital noise filters
- 1-byte buffer with DMA capability

Table 8. I2C implementation

| I2C features ⁽¹⁾ | I2C1 | I2C2 | I2C3 | I2C4 |
|---|------|------|------|------|
| Standard-mode (up to 100 kbit/s) | X | X | X | X |
| Fast-mode (up to 400 kbit/s) | X | X | X | X |
| Fast-mode Plus with 20mA output drive I/Os (up to 1 Mbit/s) | X | X | X | X |
| Programmable analog and digital noise filters | X | X | X | X |
| SMBus/PMBus hardware support | X | X | X | X |
| Independent clock | X | X | X | X |
| Wakeup from Stop mode on address match | X | X | X | X |

1. X: supported

3.30 Universal synchronous/asynchronous receiver transmitter (USART)

The STM32G484xE devices have three embedded universal synchronous receiver transmitters (USART1, USART2 and USART3) and two universal asynchronous receiver transmitters (UART4, UART5).

These interfaces provide asynchronous communication, IrDA SIR ENDEC support, multiprocessor communication mode, single-wire half-duplex communication mode and have LIN master/slave capability. They provide hardware management of the CTS and RTS signals, and RS485 driver enable.

The USART1, USART2 and USART3 also provide a Smartcard mode (ISO 7816 compliant) and an SPI-like communication capability.

The USART comes with a Transmit FIFO (TXFIFO) and a Receive FIFO (RXFIFO). FIFO mode is enabled by software and is disabled by default.

All USART have a clock domain independent from the CPU clock, allowing the U(S)ARTx (x=1,2,3,4,5) to wake up the MCU from Stop mode. The wakeup from Stop mode can be done on:

- Start bit detection
- Any received data frame
- A specific programmed data frame
- Some specific TXFIFO/RXFIFO status interrupts when FIFO mode is enabled

All USART interfaces can be served by the DMA controller.

Table 9. USART/UART/LPUART features

| USART modes/features ⁽¹⁾ | USART1 | USART2 | USART3 | UART4 | UART5 | LPUART1 |
|---------------------------------------|-----------------|--------|--------|-------|-------|---------|
| Hardware flow control for modem | X | X | X | X | X | X |
| Continuous communication using DMA | X | X | X | X | X | X |
| Multiprocessor communication | X | X | X | X | X | X |
| Synchronous mode | X | X | X | - | - | - |
| Smartcard mode | X | X | X | - | - | - |
| Single-wire half-duplex communication | X | X | X | X | X | X |
| IrDA SIR ENDEC block | X | X | X | X | X | - |
| LIN mode | X | X | X | X | X | - |
| Dual clock domain | X | X | X | X | X | X |
| Wakeup from Stop mode | X | X | X | X | X | X |
| Receiver timeout interrupt | X | X | X | X | X | - |
| Modbus communication | X | X | X | X | X | - |
| Auto baud rate detection | X (4 modes) | | | | | - |
| Driver Enable | X | X | X | X | X | X |
| LPUART/USART data length | 7, 8 and 9 bits | | | | | |

Table 9. USART/UART/LPUART features (continued)

| USART modes/features ⁽¹⁾ | USART1 | USART2 | USART3 | UART4 | UART5 | LPUART1 |
|-------------------------------------|--------|--------|--------|-------|-------|---------|
| Tx/Rx FIFO | | | | X | | |
| Tx/Rx FIFO size | | | | 8 | | |

1. X = supported.

3.31 Low-power universal asynchronous receiver transmitter (LPUART)

The STM32G484xE devices embed one Low-Power UART. The LPUART supports asynchronous serial communication with minimum power consumption. It supports half-duplex single-wire communication and modem operations (CTS/RTS). It allows multiprocessor communication.

The LPUART comes with a Transmit FIFO (TXFIFO) and a Receive FIFO (RXFIFO). FIFO mode is enabled by software and is disabled by default. It has a clock domain independent from the CPU clock, and can wakeup the system from Stop mode. The wake up from Stop mode can be done on:

- Start bit detection
- Any received data frame
- A specific programmed data frame
- Some specific TXFIFO/RXFIFO status interrupts when FIFO mode is enabled

Only a 32.768 kHz clock (LSE) is needed to allow LPUART communication up to 9600 baud. Therefore, even in Stop mode, the LPUART can wait for an incoming frame while having an extremely low energy consumption. Higher speed clock can be used to reach higher baudrates.

The LPUART interface can be served by the DMA controller.

3.32 Serial peripheral interface (SPI)

Four SPI interfaces allow communication up to 75 Mbits/s in master and up to 41 Mbits/s in slave, half-duplex, full-duplex and simplex modes. The 3-bit prescaler gives 8 master mode frequencies and the frame size is configurable from 4 bits to 16 bits. The SPI interfaces support NSS pulse mode, TI mode and hardware CRC calculation.

Two standard I²S interfaces (multiplexed with SPI2 and SPI3) supporting four different audio standards can operate as master or slave at half-duplex communication modes. They can be configured to transfer 16 and 24 or 32 bits with 16-bit or 32-bit data resolution and synchronized by a specific signal. Audio sampling frequency from 8 kHz up to 192 kHz can be set by 8-bit programmable linear prescaler. When operating in master mode it can output a clock for an external audio component at 256 times the sampling frequency.

All SPI interfaces can be served by the DMA controller.

3.33 Serial audio interfaces (SAI)

The device embeds 1 SAI. The SAI bus interface handles communications between the microcontroller and the serial audio protocol.

SAI peripheral supports:

- Two independent audio sub-blocks which can be transmitters or receivers with their respective FIFO.
- 8-word integrated FIFOs for each audio sub-block.
- Synchronous or asynchronous mode between the audio sub-blocks.
- Master or slave configuration independent for both audio sub-blocks.
- Clock generator for each audio block to target independent audio frequency sampling when both audio sub-blocks are configured in master mode.
- Data size configurable: 8-, 10-, 16-, 20-, 24-, 32-bit.
- Peripheral with large configurability and flexibility allowing to target as example the following audio protocol: I2S, LSB or MSB-justified, PCM/DSP, TDM, AC'97 and SPDIF out.
- Up to 16 slots available with configurable size and with the possibility to select which ones are active in the audio frame.
- Number of bits by frame may be configurable.
- Frame synchronization active level configurable (offset, bit length, level).
- First active bit position in the slot is configurable.
- LSB first or MSB first for data transfer.
- Mute mode.
- Stereo/Mono audio frame capability.
- Communication clock strobing edge configurable (SCK).
- Error flags with associated interrupts if enabled respectively.
 - Overrun and underrun detection.
 - Anticipated frame synchronization signal detection in slave mode.
 - Late frame synchronization signal detection in slave mode.
 - Codec not ready for the AC'97 mode in reception.
- Interruption sources when enabled:
 - Errors.
 - FIFO requests.
- DMA interface with 2 dedicated channels to handle access to the dedicated integrated FIFO of each SAI audio sub-block.

Table 10. SAI implementation for the features implementation

| SAI features | Support ⁽¹⁾ |
|--|------------------------|
| I2S, LSB or MSB-justified, PCM/DSP, TDM, AC'97 | X |
| Mute mode | X |
| Stereo/Mono audio frame capability | X |
| 16 slots | X |

Table 10. SAI implementation for the features implementation (continued)

| SAI features | Support ⁽¹⁾ |
|--|------------------------|
| Data size configurable: 8-, 10-, 16-, 20-, 24-, 32-bit | X |
| FIFO size | X (8 word) |
| SPDIF | X |

1. X: supported.

3.34 Controller area network (FDCAN1, FDCAN2, FDCAN3)

The controller area network (CAN) subsystem consists of three CAN modules and a shared message RAM memory.

The three CAN modules (FDCAN1, FDCAN2 and FDCAN3) are compliant with ISO 11898-1 (CAN protocol specification version 2.0 part A, B) and CAN FD protocol specification version 1.0.

A 3-Kbyte message RAM memory implements filters, receive FIFOs, receive buffers, transmit event FIFOs, transmit buffers. This message RAM is shared between the three FDCAN modules.

3.35 Universal serial bus (USB)

The STM32G484xE devices embed a full-speed USB device peripheral compliant with the USB specification version 2.0. The internal USB PHY supports USB FS signaling, embedded DP pull-up and also battery charging detection according to Battery Charging Specification Revision 1.2. The USB interface implements a full-speed (12 Mbit/s) function interface with added support for USB 2.0 Link Power Management. It has software-configurable endpoint setting with packet memory up-to 1 Kbyte and suspend/resume support. It requires a precise 48 MHz clock which can be generated from the internal main PLL (the clock source must use a HSE crystal oscillator) or by the internal 48 MHz oscillator in automatic trimming mode. The synchronization for this oscillator can be taken from the USB data stream itself (SOF signalization) which allows crystal less operation.

3.36 USB Type-C™ / USB Power Delivery controller (UCPD)

The device embeds one controller (UCPD) compliant with USB Type-C Rev. 1.2 and USB Power Delivery Rev. 3.0 specifications.

The controller uses specific I/Os supporting the USB Type-C and USB Power Delivery requirements, featuring:

- USB Type-C pull-up (Rp, all values) and pull-down (Rd) resistors
- “Dead battery” support
- USB Power Delivery message transmission and reception
- FRS (fast role swap) support

The digital controller handles notably:

- USB Type-C level detection with de-bounce, generating interrupts
- FRS detection, generating an interrupt
- Byte-level interface for USB Power Delivery payload, generating interrupts (DMA compatible)
- USB Power Delivery timing dividers (including a clock pre-scaler)
- CRC generation/checking
- 4b5b encode/decode
- Ordered sets (with a programmable ordered set mask at receive)
- Frequency recovery in receiver during preamble

The interface offers low-power operation compatible with Stop mode, maintaining the capacity to detect incoming USB Power Delivery messages and FRS signaling.

3.37 Clock recovery system (CRS)

The devices embed a special block which allows automatic trimming of the internal 48 MHz oscillator to guarantee its optimal accuracy over the whole device operational range. This automatic trimming is based on the external synchronization signal, which could be either derived from USB SOF signalization, from LSE oscillator, from an external signal on CRS_SYNC pin or generated by user software. For faster lock-in during startup it is also possible to combine automatic trimming with manual trimming action.

3.38 Flexible static memory controller (FSMC)

The Flexible static memory controller (FSMC) includes two memory controllers:

- The NOR/PSRAM memory controller
- The NAND/memory controller

This memory controller is also named Flexible memory controller (FMC).

The main features of the FMC controller are the following:

- Interface with static-memory mapped devices including:
 - Static random access memory (SRAM)
 - NOR Flash memory/OneNAND Flash memory
 - PSRAM (4 memory banks)
 - NAND Flash memory with ECC hardware to check up to 8 Kbytes of data
 - Ferroelectric RAM (FRAM)
- 8-, 16- bit data bus width
- Independent Chip Select control for each memory bank
- Independent configuration for each memory bank
- Write FIFO
- The Maximum FMC_CLK frequency for synchronous accesses is HCLK/2.

LCD parallel interface

The FMC can be configured to interface seamlessly with most graphic LCD controllers. It supports the Intel 8080 and Motorola 6800 modes, and is flexible enough to adapt to specific LCD interfaces. This LCD parallel interface capability makes it easy to build cost effective graphic applications using LCD modules with embedded controllers or high performance solutions using external controllers with dedicated acceleration.

3.39 Quad SPI memory interface (QUADSPI)

The Quad SPI is a specialized communication interface targeting single, dual or quad SPI flash memories. It can operate in any of the three following modes:

- Indirect mode: all the operations are performed using the QUADSPI registers
- Status polling mode: the external flash status register is periodically read and an interrupt can be generated in case of flag setting
- Memory-mapped mode: the external Flash is memory mapped and is seen by the system as if it were an internal memory.

Both throughput and capacity can be increased two-fold using dual-flash mode, where two quad SPI flash memories are accessed simultaneously.

The Quad SPI interface supports:

- Indirect mode: all the operations are performed using the QUADSPI registers
- Status polling mode: the external flash status register is periodically read and an interrupt can be generated in case of flag setting
- Memory-mapped mode: the external Flash is memory mapped and is seen by the system as if it were an internal memory
- Three functional modes: indirect, status-polling, and memory-mapped
- SDR and DDR support
- Fully programmable opcode for both indirect and memory mapped mode
- Fully programmable frame format for both indirect and memory mapped mode
 - Each of the 5 following phases can be configured independently (enable, length, single/dual/quad communication)
 - Instruction phase
 - Address phase
 - Alternate bytes phase
 - Dummy cycles phase
 - Data phase
- Integrated FIFO for reception and transmission
- 8, 16, and 32-bit data accesses are allowed
- DMA channel for indirect mode operations
- Programmable masking for external flash flag management
- Timeout management
- Interrupt generation on FIFO threshold, timeout, status match, operation complete, and access error

3.40 Development support

3.40.1 Serial wire JTAG debug port (SWJ-DP)

The Arm SWJ-DP interface is embedded, and is a combined JTAG and serial wire debug port that enables either a serial wire debug or a JTAG probe to be connected to the target.

Debug is performed using 2 pins only instead of 5 required by the JTAG (JTAG pins could be re-use as GPIO with alternate function): the JTAG TMS and TCK pins are shared with SWDIO and SWCLK, respectively, and a specific sequence on the TMS pin is used to switch between JTAG-DP and SW-DP.

3.40.2 Embedded trace macrocell™

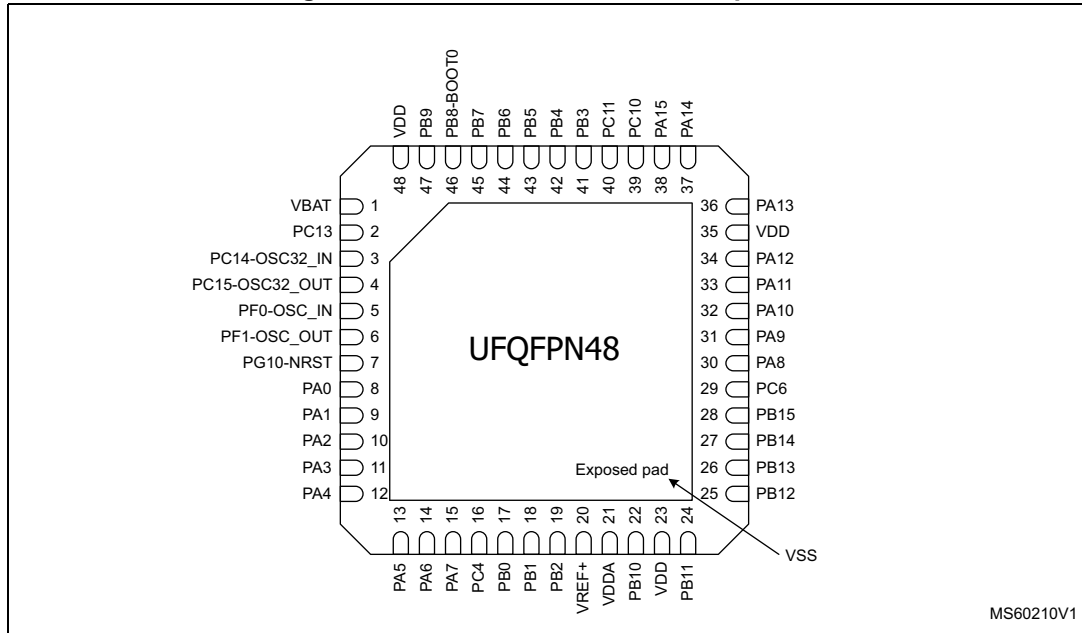
The Arm embedded trace macrocell provides a greater visibility of the instruction and data flow inside the CPU core by streaming compressed data at a very high rate from the STM32G484xE devices through a small number of ETM pins to an external hardware trace port analyzer (TPA) device. Real-time instruction and data flow activity be recorded and then formatted for display on the host computer that runs the debugger software. TPA hardware is commercially available from common development tool vendors.

The Embedded trace macrocell operates with third party debugger software tools.

4 Pinouts and pin description

4.1 UFQFPN48 pinout description

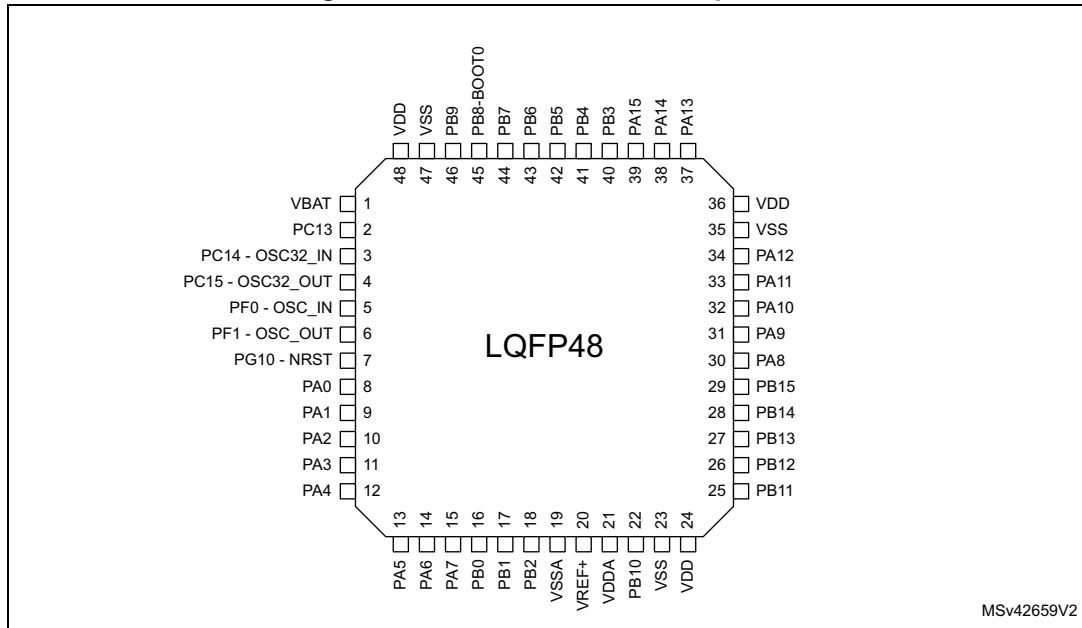
Figure 5. STM32G484xE UFQFPN48 pinout



1. The above figure shows the package top view.
2. VSS pads are connected to the exposed pad.

4.2 LQFP48 pinout description

Figure 6. STM32G484xE LQFP48 pinout

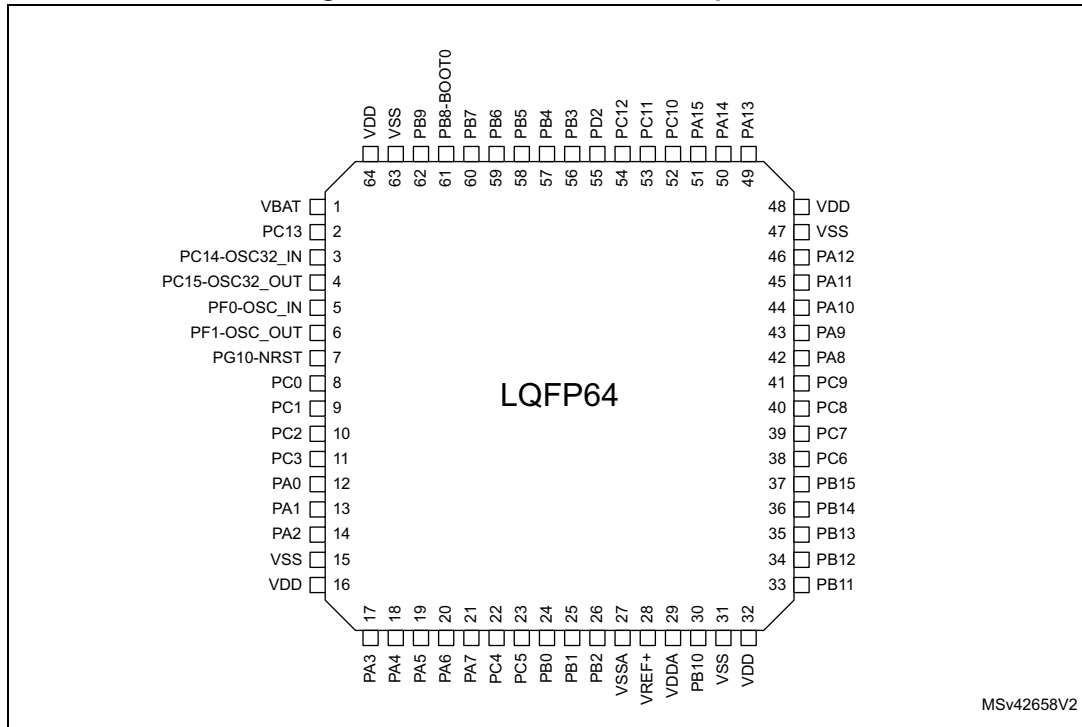


MSv42659V2

1. The above figure shows the package top view.

4.3 LQFP64 pinout description

Figure 7. STM32G484xE LQFP64 pinout

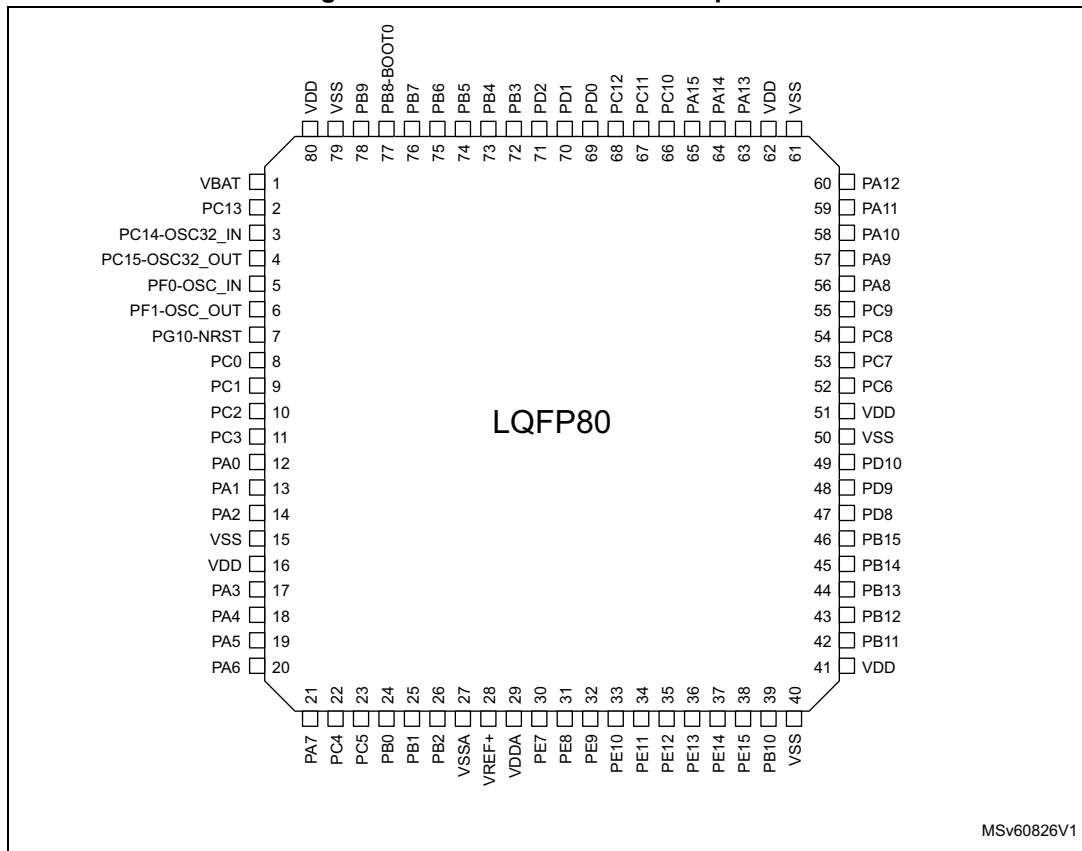


MSv42658V2

1. The above figure shows the package top view.

4.4 LQFP80 pinout description

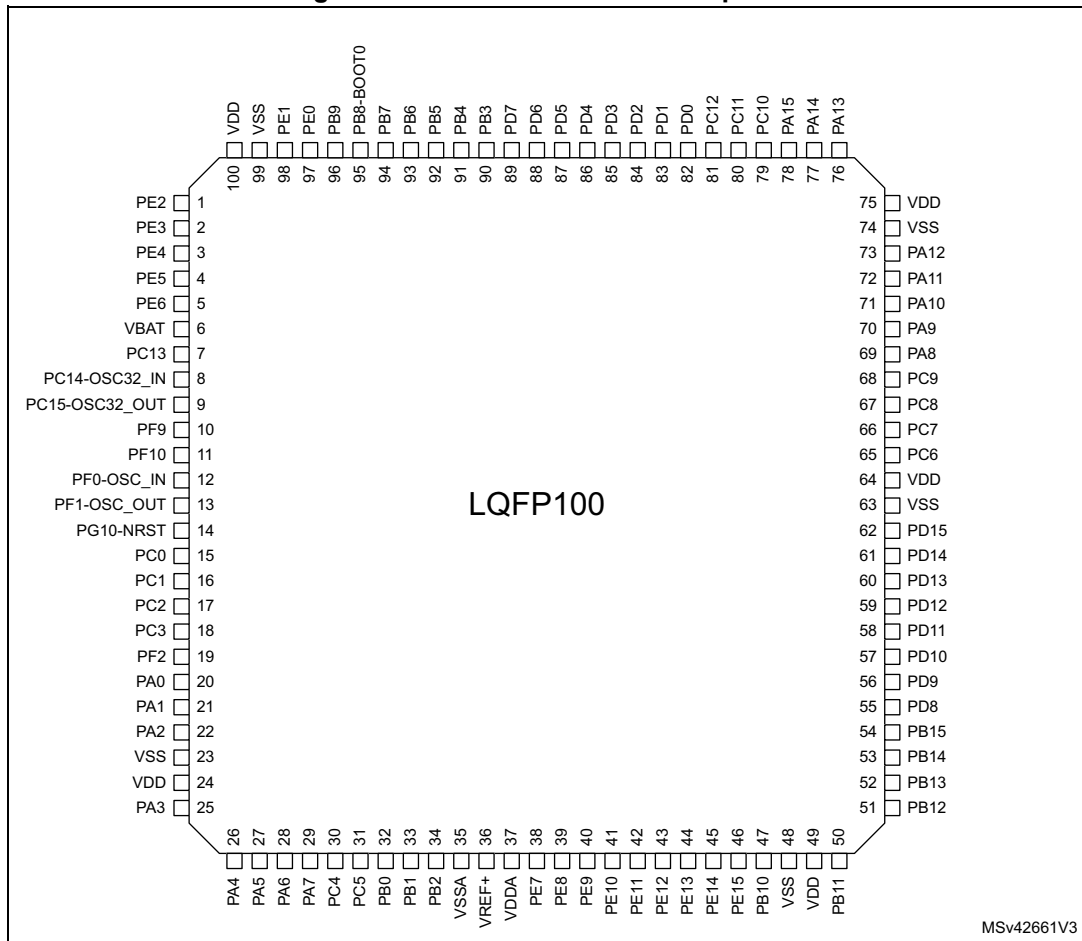
Figure 8. STM32G484xE LQFP80 pinout



1. The above figure shows the package top view.

4.5 LQFP100 pinout description

Figure 9. STM32G484xE LQFP100 pinout

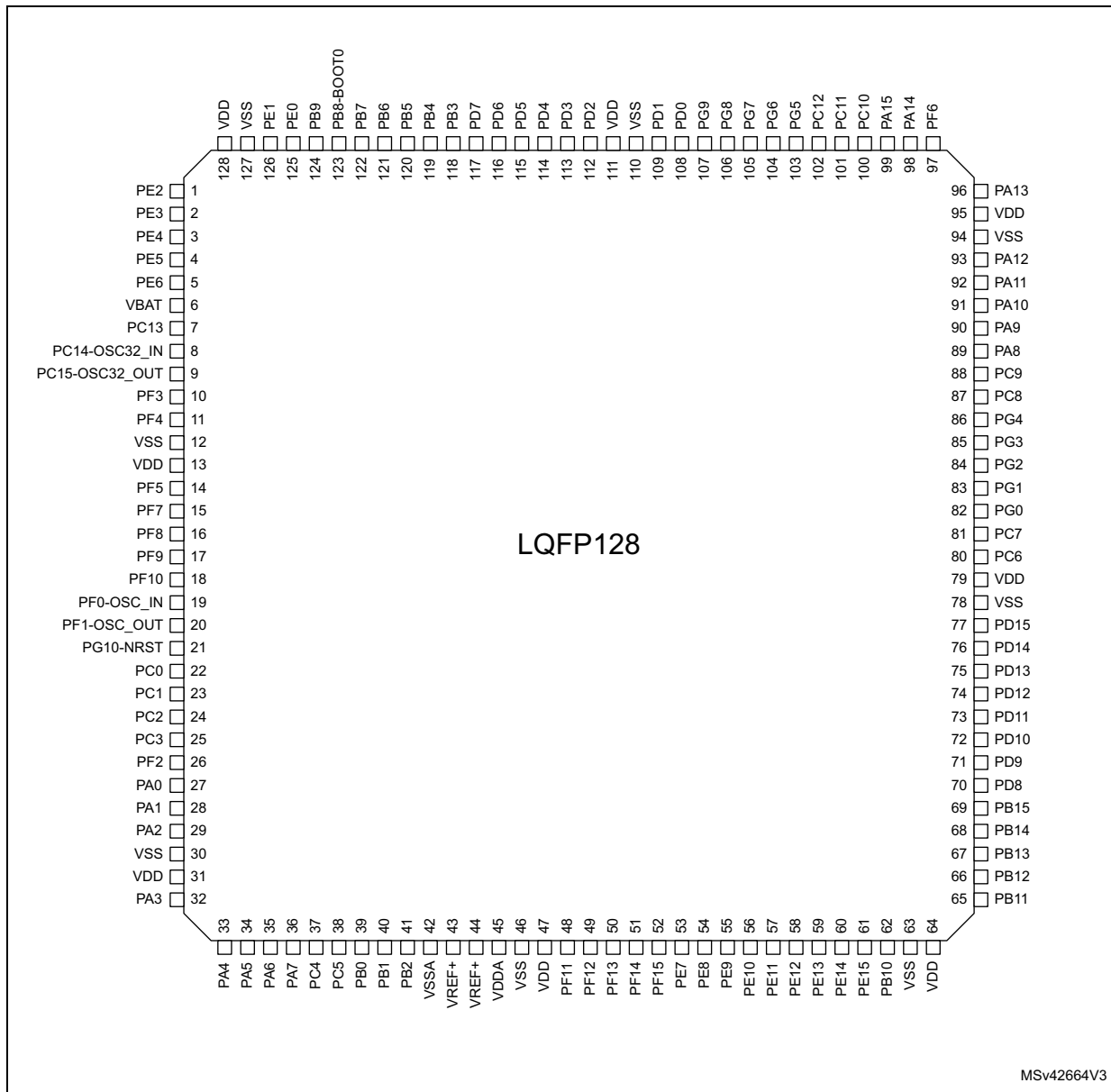


MSv42661V3

1. The above figure shows the package top view.

4.6 LQFP128 pinout description

Figure 10. STM32G484xE LQFP128 pinout



1. The above figure shows the package top view.

4.7 WLCSP81 pinout description

Figure 11. STM32G484xE WLCSP81 pinout

| | 1 | 2 | 3 | 4 | 5 | 6 | 7 | 8 | 9 |
|---|------|------|------|------|------|-------|-----------|-----------|----------------|
| A | VDD | PA15 | PC12 | PD1 | PB3 | PB5 | PB9 | VSS | VDD |
| B | VSS | PA13 | PC10 | PD0 | PD2 | PB6 | PB8-BOOT0 | PC13 | VBAT |
| C | PA12 | PA11 | PA14 | PC11 | PC8 | PB4 | PB7 | PC1 | PC14-OSC32_IN |
| D | PA8 | PC9 | PA10 | PA9 | PC7 | PA4 | PA0 | PG10-NRST | PC15-OSC32_OUT |
| E | VDD | PD11 | PC6 | PB15 | PE12 | PC4 | PA1 | PC0 | PF0-OSC_IN |
| F | VSS | PD10 | PD9 | PE15 | PE9 | PB0 | PA5 | PC2 | PF1-OSC_OUT |
| G | PD8 | PB14 | PB12 | PE13 | PE8 | PB1 | PA6 | PA2 | PC3 |
| H | PB13 | PB11 | PB10 | PE11 | PE7 | VSSA | PC5 | PA3 | VSS |
| J | VDD | VSS | PE14 | PE10 | VDDA | VREF+ | PB2 | PA7 | VDD |

MSv48046V1

1. The above figure shows the package top view.

4.8 TFBGA100 pinout description

Figure 12. STM32G484xE TFBGA100 pinout

| | 1 | 2 | 3 | 4 | 5 | 6 | 7 | 8 | 9 | 10 |
|---|----------------|-------------|-----------|------|-------|------|------|------|------|------|
| A | PE4 | PB9 | PB8-BOOT0 | PB6 | PB3 | PD6 | PD5 | PD4 | PD1 | PC12 |
| B | PE5 | PE3 | PE1 | PB7 | PB5 | PD7 | PD2 | PD0 | PA15 | PA14 |
| C | PC14-OSC32_IN | PE6 | PE2 | PE0 | PB4 | PD3 | PC11 | PC10 | PA12 | PA11 |
| D | PC15-OSC32_OUT | VSS | VBAT | PC13 | VDD | VSS | VDD | PA13 | PA10 | PA9 |
| E | PF0-OSC_IN | PF1-OSC_OUT | PF9 | PF10 | VSS | VSS | VSS | PC8 | PC9 | PA8 |
| F | PC2 | PC0 | PG10-NRST | PC1 | VDD | VSS | VDD | PD14 | PC6 | PC7 |
| G | PC3 | PA1 | PF2 | PA0 | PE7 | PE12 | PD10 | PD9 | PD13 | PD15 |
| H | PA2 | PA4 | PA3 | PB0 | PE8 | PE9 | PE15 | PB11 | PB14 | PD11 |
| J | PA5 | PA6 | PC5 | PB2 | VDDA | PE11 | PE14 | PB10 | PB13 | PD12 |
| K | PA7 | PC4 | PB1 | VSSA | VREF+ | PE10 | PE13 | PB12 | PB15 | PD8 |

MS48951V1

1. The above figure shows the package top view.

4.9 Pin definition

Table 11. Legend/abbreviations used in the pinout table

| Name | Abbreviation | Definition |
|---------------|---|--|
| Pin name | Unless otherwise specified in brackets below the pin name, the pin function during and after reset is the same as the actual pin name | |
| Pin type | S | Supply pin |
| | I | Input only pin |
| | I/O | Input / output pin |
| I/O structure | FT | 5 V tolerant I/O |
| | TT | 3.6 V tolerant I/O |
| | B | Dedicated BOOT0 pin |
| | NRST | Bidirectional reset pin with embedded weak pull-up resistor |
| | Option for TT or FT I/Os | |
| | _a ⁽¹⁾ | I/O, with Analog switch function supplied by V _{DDA} |
| | _c | I/O, USB Type-C PD capable |
| | _d | I/O, USB Type-C PD Dead Battery function |
| | _f ⁽²⁾ | I/O, Fm+ capable |
| | _u ⁽³⁾ | I/O, with USB function |
| Notes | Unless otherwise specified by a note, all I/Os are set as floating inputs during and after reset | |
| Pin functions | Alternate functions | Functions selected through GPIOx_AFR registers |
| | Additional functions | Functions directly selected/enabled through peripheral registers |

1. The related I/O structures in [Table 12](#) are: FT_a, FT_fa, TT_a.
2. The related I/O structures in [Table 12](#) are: FT_f, FT_fa.
3. The related I/O structures in [Table 12](#) are FT_u.

Table 12. STM32G484xE pin definition

| Pin Number | | | | | | | | Pin name (function after reset) ⁽¹⁾ | Pin type | I/O structure | Notes | Alternate functions | Additional functions |
|------------|----------|--------|--------|--------|----------|---------|---------|---|----------|---------------|------------|--|---|
| WLCSP81 | UFQFPN48 | LQFP48 | LQFP64 | LQFP80 | TFBGA100 | LPQF100 | LPQF128 | | | | | | |
| - | - | - | - | - | C3 | 1 | 1 | PE2 | I/O | FT | - | TRACECK, TIM3_CH1, SAI1_CK1, SPI4_SCK, TIM20_CH1, FMC_A23, SAI1_MCLK_A, EVENTOUT | - |
| - | - | - | - | - | B2 | 2 | 2 | PE3 | I/O | FT | - | TRACED0, TIM3_CH2, SPI4_NSS, TIM20_CH2, FMC_A19, SAI1_SD_B, EVENTOUT | - |
| - | - | - | - | - | A1 | 3 | 3 | PE4 | I/O | FT | - | TRACED1, TIM3_CH3, SAI1_D2, SPI4_NSS, TIM20_CH1N, FMC_A20, SAI1_FS_A, EVENTOUT | - |
| - | - | - | - | - | B1 | 4 | 4 | PE5 | I/O | FT | - | TRACED2, TIM3_CH4, SAI1_CK2, SPI4_MISO, TIM20_CH2N, FMC_A21, SAI1_SCK_A, EVENTOUT | - |
| - | - | - | - | - | C2 | 5 | 5 | PE6 | I/O | FT | - | TRACED3, SAI1_D1, SPI4_MOSI, TIM20_CH3N, FMC_A22, SAI1_SD_A, EVENTOUT | WKUP3, RTC_TAMP3 |
| B9 | 1 | 1 | 1 | 1 | D3 | 6 | 6 | VBAT | S | - | - | - | - |
| B8 | 2 | 2 | 2 | 2 | D4 | 7 | 7 | PC13 | I/O | FT | (2) (3) | TIM1_BKIN, TIM1_CH1N, TIM8_CH4N, EVENTOUT | WKUP2, RTC_TAMP1, RTC_TS, RTC_OUT1 |
| C9 | 3 | 3 | 3 | 3 | C1 | 8 | 8 | PC14- OSC32_IN | I/O | FT | (2) (3) | EVENTOUT | OSC32_IN |
| D9 | 4 | 4 | 4 | 4 | D1 | 9 | 9 | PC15- OSC32_OUT | I/O | FT | (2) (3) | EVENTOUT | OSC32_OUT |

Table 12. STM32G484xE pin definition (continued)

| Pin Number | | | | | | | | Pin name (function after reset) ⁽¹⁾ | Pin type | I/O structure | Notes | Alternate functions | Additional functions |
|------------|----------|--------|--------|--------|----------|---------|---------|---|----------|---------------|-------|---|-------------------------------------|
| WLCSP81 | UFQFPN48 | LQFP48 | LQFP64 | LQFP80 | TFBGA100 | LPQF100 | LPQF128 | | | | | | |
| - | - | - | - | - | - | - | 10 | PF3 | I/O | FT_f | - | TIM20_CH4, I2C3_SCL, FMC_A3, EVENTOUT | - |
| - | - | - | - | - | - | - | 11 | PF4 | I/O | FT_f | - | COMP1_OUT, TIM20_CH1N, I2C3_SDA, FMC_A4, EVENTOUT | - |
| F1 | - | - | - | - | D2 | - | 12 | VSS | S | - | - | - | - |
| A9 | - | - | - | - | D5 | - | 13 | VDD | S | - | - | - | - |
| - | - | - | - | - | - | - | 14 | PF5 | I/O | FT | - | TIM20_CH2N, FMC_A5, EVENTOUT | - |
| - | - | - | - | - | - | - | 15 | PF7 | I/O | FT | - | TIM20_BKIN, TIM5_CH2, QUADSPI1_BK1_IO2 , FMC_A1, SAI1_MCLK_B, EVENTOUT | - |
| - | - | - | - | - | - | - | 16 | PF8 | I/O | FT | - | TIM20_BKIN2, TIM5_CH3, QUADSPI1_BK1_IO0 , FMC_A24, SAI1_SCK_B, EVENTOUT | - |
| - | - | - | - | - | E3 | 10 | 17 | PF9 | I/O | FT | - | TIM20_BKIN, TIM15_CH1, SPI2_SCK, TIM5_CH4, QUADSPI1_BK1_IO1 , FMC_A25, SAI1_FS_B, EVENTOUT | - |
| - | - | - | - | - | E4 | 11 | 18 | PF10 | I/O | FT | - | TIM20_BKIN2, TIM15_CH2, SPI2_SCK, QUADSPI1_CLK, FMC_A0, SAI1_D3, EVENTOUT | - |
| E9 | 5 | 5 | 5 | 5 | E1 | 12 | 19 | PF0-OSC_IN | I/O | FT_fa | - | I2C2_SDA, SPI2_NSS/I2S2_WS, TIM1_CH3N, EVENTOUT | ADC1_IN10, OSC_IN |
| F9 | 6 | 6 | 6 | 6 | E2 | 13 | 20 | PF1- OSC_OUT | I/O | FT_a | - | SPI2_SCK/I2S2_CK, EVENTOUT | ADC2_IN10, COMP3_INM, OSC_OUT |

Table 12. STM32G484xE pin definition (continued)

| Pin Number | | | | | | | | Pin name (function after reset) ⁽¹⁾ | Pin type | I/O structure | Notes | Alternate functions | Additional functions |
|------------|----------|--------|--------|--------|----------|---------|---------|---|----------|---------------|-------|---|---|
| WLCSP81 | UFQFPN48 | LQFP48 | LQFP64 | LQFP80 | TFBGA100 | LPQF100 | LPQF128 | | | | | | |
| D8 | 7 | 7 | 7 | 7 | F3 | 14 | 21 | PG10-NRST | I/O | FT | - | MCO, EVENTOUT | NRST |
| E8 | - | - | 8 | 8 | F2 | 15 | 22 | PC0 | I/O | FT_a | - | LPTIM1_IN1, TIM1_CH1, LPUART1_RX, EVENTOUT | ADC12_IN6, COMP3_INM |
| C8 | - | - | 9 | 9 | F4 | 16 | 23 | PC1 | I/O | TT_a | - | LPTIM1_OUT, TIM1_CH2, LPUART1_TX, QUADSPI1_BK2_IO0 , SAI1_SD_A, EVENTOUT | ADC12_IN7, COMP3_INP |
| F8 | - | - | 10 | 10 | F1 | 17 | 24 | PC2 | I/O | FT_a | - | LPTIM1_IN2, TIM1_CH3, COMP3_OUT, TIM20_CH2, QUADSPI1_BK2_IO1 , EVENTOUT | ADC12_IN8 |
| G9 | - | - | 11 | 11 | G1 | 18 | 25 | PC3 | I/O | TT_a | - | LPTIM1_ETR, TIM1_CH4, SAI1_D1, TIM1_BKIN2, QUADSPI1_BK2_IO2 , SAI1_SD_A, EVENTOUT | ADC12_IN9, OPAMP5_VINP |
| - | - | - | - | - | G3 | 19 | 26 | PF2 | I/O | FT | - | TIM20_CH3, I2C2_SMBA, FMC_A2, EVENTOUT | - |
| D7 | 8 | 8 | 12 | 12 | G4 | 20 | 27 | PA0 | I/O | TT_a | - | TIM2_CH1, TIM5_CH1, USART2_CTS, COMP1_OUT, TIM8_BKIN, TIM8_ETR, TIM2_ETR, EVENTOUT | ADC12_IN1, COMP1_INM, COMP3_INP, RTC_TAMP2,WK UP1 |
| E7 | 9 | 9 | 13 | 13 | G2 | 21 | 28 | PA1 | I/O | TT_a | - | RTC_REFIN, TIM2_CH2, TIM5_CH2, USART2_RTS_DE, TIM15_CH1N, EVENTOUT | ADC12_IN2, COMP1_INP, OPAMP1_VINP, OPAMP3_VINP, OPAMP6_VINM |

Table 12. STM32G484xE pin definition (continued)

| Pin Number | | | | | | | | Pin name (function after reset) ⁽¹⁾ | Pin type | I/O structure | Notes | Alternate functions | Additional functions |
|------------|----------|--------|--------|--------|----------|---------|---------|---|----------|---------------|-------|--|--|
| WLCSP81 | UFQFPN48 | LQFP48 | LQFP64 | LQFP80 | TFBGA100 | LPQF100 | LPQF128 | | | | | | |
| G8 | 10 | 10 | 14 | 14 | H1 | 22 | 29 | PA2 | I/O | FT_a | - | TIM2_CH3, TIM5_CH3, USART2_TX, COMP2_OUT, TIM15_CH1, QUADSPI1_BK1_NCS, LPUART1_TX, UCPD1_FRSTX, EVENTOUT | ADC1_IN3, COMP2_INM, OPAMP1_VOUT, WKUP4/LSCO |
| H9 | - | - | 15 | 15 | D6 | 23 | 30 | VSS | S | - | - | - | - |
| J9 | - | - | 16 | 16 | D7 | 24 | 31 | VDD | S | - | - | - | - |
| H8 | 11 | 11 | 17 | 17 | H3 | 25 | 32 | PA3 | I/O | TT_a | - | TIM2_CH4, TIM5_CH4, SAI1_CK1, USART2_RX, TIM15_CH2, QUADSPI1_CLK, LPUART1_RX, SAI1_MCLK_A, EVENTOUT | ADC1_IN4, COMP2_INP, OPAMP1_VINM/ OPAMP1_VINP, OPAMP5_VINM |
| D6 | 12 | 12 | 18 | 18 | H2 | 26 | 33 | PA4 | I/O | TT_a | - | TIM3_CH2, SPI1_NSS, SPI3_NSS/I2S3_WS, USART2_CK, SAI1_FS_B, EVENTOUT | ADC2_IN17, DAC1_OUT1, COMP1_INM |
| F7 | 13 | 13 | 19 | 19 | J1 | 27 | 34 | PA5 | I/O | TT_a | - | TIM2_CH1, TIM2_ETR, SPI1_SCK, UCPD1_FRSTX, EVENTOUT | ADC2_IN13, DAC1_OUT2, COMP2_INM, OPAMP2_VINM |
| G7 | 14 | 14 | 20 | 20 | J2 | 28 | 35 | PA6 | I/O | TT_a | - | TIM16_CH1, TIM3_CH1, TIM8_BKIN, SPI1_MISO, TIM1_BKIN, COMP1_OUT, QUADSPI1_BK1_IO3, LPUART1_CTS, EVENTOUT | ADC2_IN3, DAC2_OUT1, OPAMP2_VOUT |
| J8 | 15 | 15 | 21 | 21 | K1 | 29 | 36 | PA7 | I/O | TT_a | - | TIM17_CH1, TIM3_CH2, TIM8_CH1N, SPI1_MOSI, TIM1_CH1N, COMP2_OUT, QUADSPI1_BK1_IO2, UCPD1_FRSTX, EVENTOUT | ADC2_IN4, COMP2_INP, OPAMP1_VINP, OPAMP2_VINP |

Table 12. STM32G484xE pin definition (continued)

| Pin Number | | | | | | | | Pin name (function after reset) ⁽¹⁾ | Pin type | I/O structure | Notes | Alternate functions | Additional functions |
|------------|----------|--------|--------|--------|----------|---------|---------|---|----------|---------------|-------|--|---|
| WLCSP81 | UFQFPN48 | LQFP48 | LQFP64 | LQFP80 | TFBGA100 | LPQF100 | LPQF128 | | | | | | |
| E6 | 16 | - | 22 | 22 | K2 | 30 | 37 | PC4 | I/O | FT_fa | - | TIM1_ETR, I2C2_SCL, USART1_TX, QUADSPI1_BK2_IO3 , EVENTOUT | ADC2_IN5 |
| H7 | - | - | 23 | 23 | J3 | 31 | 38 | PC5 | I/O | TT_a | - | TIM15_BKIN, SAI1_D3, TIM1_CH4N, USART1_RX, HRTIM1_EEV10, EVENTOUT | ADC2_IN11, OPAMP1_VINM, OPAMP2_VINM, WKUP5 |
| F6 | 17 | 16 | 24 | 24 | H4 | 32 | 39 | PB0 | I/O | TT_a | - | TIM3_CH3, TIM8_CH2N, TIM1_CH2N, QUADSPI1_BK1_IO1 , HRTIM1_FLT5, UCPD1_FRSTX, EVENTOUT | ADC3_IN12/ADC 1_IN15, COMP4_INP, OPAMP2_VINP, OPAMP3_VINP |
| G6 | 18 | 17 | 25 | 25 | K3 | 33 | 40 | PB1 | I/O | TT_a | - | TIM3_CH4, TIM8_CH3N, TIM1_CH3N, COMP4_OUT, QUADSPI1_BK1_IO0 , LPUART1_RTS_DE, HRTIM1_SCOUT, EVENTOUT | ADC3_IN1/ADC1 _IN12, COMP1_INP, OPAMP3_VOUT, OPAMP6_VINM |
| J7 | 19 | 18 | 26 | 26 | J4 | 34 | 41 | PB2 | I/O | TT_a | - | RTC_OUT2, LPTIM1_OUT, TIM5_CH1, TIM20_CH1, I2C3_SMBA, QUADSPI1_BK2_IO1 , HRTIM1_SCIN, EVENTOUT | ADC2_IN12, COMP4_INM, OPAMP3_VINM |
| H6 | - | 19 | 27 | 27 | K4 | 35 | 42 | VSSA | S | - | - | - | - |
| J6 | 20 | 20 | 28 | 28 | K5 | 36 | 43 | VREF+ | S | - | - | - | VREFBUF_OUT |
| - | - | - | - | - | - | - | 44 | VREF+ | S | - | - | - | VREFBUF_OUT |
| J5 | 21 | 21 | 29 | 29 | J5 | 37 | 45 | VDDA | S | - | - | - | - |
| H9 | - | - | - | - | E5 | - | 46 | VSS | S | - | - | - | - |
| J1 | - | - | - | - | F5 | - | 47 | VDD | S | - | - | - | - |
| - | - | - | - | - | - | - | 48 | PF11 | I/O | FT | - | TIM20_ETR, FMC_NE4, EVENTOUT | - |

Table 12. STM32G484xE pin definition (continued)

| Pin Number | | | | | | | | Pin name (function after reset) ⁽¹⁾ | Pin type | I/O structure | Notes | Alternate functions | Additional functions |
|------------|----------|--------|--------|--------|----------|---------|---------|---|----------|---------------|-------|---|--------------------------|
| WLCSP81 | UFQFPN48 | LQFP48 | LQFP64 | LQFP80 | TFBGA100 | LPQF100 | LPQF128 | | | | | | |
| - | - | - | - | - | - | - | 49 | PF12 | I/O | FT | - | TIM20_CH1, FMC_A6, EVENTOUT | - |
| - | - | - | - | - | - | - | 50 | PF13 | I/O | FT | - | TIM20_CH2, I2C4_SMBA, FMC_A7, EVENTOUT | - |
| - | - | - | - | - | - | - | 51 | PF14 | I/O | FT_f | - | TIM20_CH3, I2C4_SCL, FMC_A8, EVENTOUT | - |
| - | - | - | - | - | - | - | 52 | PF15 | I/O | FT_f | - | TIM20_CH4, I2C4_SDA, FMC_A9, EVENTOUT | - |
| H5 | - | - | - | 30 | G5 | 38 | 53 | PE7 | I/O | TT_a | - | TIM1_ETR, FMC_D4, SAI1_SD_B, EVENTOUT | ADC3_IN4, COMP4_INP |
| G5 | - | - | - | 31 | H5 | 39 | 54 | PE8 | I/O | FT_a | - | TIM5_CH3, TIM1_CH1N, FMC_D5, SAI1_SCK_B, EVENTOUT | ADC345_IN6, COMP4_INM |
| F5 | - | - | - | 32 | H6 | 40 | 55 | PE9 | I/O | FT_a | - | TIM5_CH4, TIM1_CH1, FMC_D6, SAI1_FS_B, EVENTOUT | ADC3_IN2 |
| J4 | - | - | - | 33 | K6 | 41 | 56 | PE10 | I/O | FT_a | - | TIM1_CH2N, QUADSPI1_CLK, FMC_D7, SAI1_MCLK_B, EVENTOUT | ADC345_IN14 |
| H4 | - | - | - | 34 | J6 | 42 | 57 | PE11 | I/O | FT_a | - | TIM1_CH2, SPI4_NSS, QUADSPI1_BK1_NC S, FMC_D8, EVENTOUT | ADC345_IN15 |
| E5 | - | - | - | 35 | G6 | 43 | 58 | PE12 | I/O | FT_a | - | TIM1_CH3N, SPI4_SCK, QUADSPI1_BK1_IO0 , FMC_D9, EVENTOUT | ADC345_IN16 |
| G4 | - | - | - | 36 | K7 | 44 | 59 | PE13 | I/O | FT_a | - | TIM1_CH3, SPI4_MISO, QUADSPI1_BK1_IO1 , FMC_D10, EVENTOUT | ADC3_IN3 |

Table 12. STM32G484xE pin definition (continued)

| Pin Number | | | | | | | | Pin name (function after reset) ⁽¹⁾ | Pin type | I/O structure | Notes | Alternate functions | Additional functions |
|------------|----------|--------|--------|--------|----------|---------|---------|---|----------|---------------|-------|---|--|
| WLCSP81 | UFQFPN48 | LQFP48 | LQFP64 | LQFP80 | TFBGA100 | LPQF100 | LPQF128 | | | | | | |
| J3 | - | - | - | 37 | J7 | 45 | 60 | PE14 | I/O | FT_a | - | TIM1_CH4, SPI4_MOSI, TIM1_BKIN2, QUADSPI1_BK1_IO2, FMC_D11, EVENTOUT | ADC4_IN1 |
| F4 | - | - | - | 38 | H7 | 46 | 61 | PE15 | I/O | FT_a | - | TIM1_BKIN, TIM1_CH4N, USART3_RX, QUADSPI1_BK1_IO3, FMC_D12, EVENTOUT | ADC4_IN2 |
| H3 | 22 | 22 | 30 | 39 | J8 | 47 | 62 | PB10 | I/O | TT_a | - | TIM2_CH3, USART3_TX, LPUART1_RX, QUADSPI1_CLK, TIM1_BKIN, HRTIM1_FLT3, SAI1_SCK_A, EVENTOUT | COMP5_INM, OPAMP3_VINM, OPAMP4_VINM |
| J2 | - | 23 | 31 | 40 | E6 | 48 | 63 | VSS | S | - | - | - | - |
| J1 | 23 | 24 | 32 | 41 | F7 | 49 | 64 | VDD | S | - | - | - | - |
| H2 | 24 | 25 | 33 | 42 | H8 | 50 | 65 | PB11 | I/O | TT_a | - | TIM2_CH4, USART3_RX, LPUART1_TX, QUADSPI1_BK1_NCS, HRTIM1_FLT4, EVENTOUT | ADC12_IN14, COMP6_INP, OPAMP4_VINP, OPAMP6_VOUT |
| G3 | 25 | 26 | 34 | 43 | K8 | 51 | 66 | PB12 | I/O | TT_a | - | TIM5_ETR, I2C2_SMBA, SPI2_NSS/I2S2_WS, TIM1_BKIN, USART3_CK, LPUART1_RTS_DE, FDCAN2_RX, HRTIM1_CHC1, EVENTOUT | ADC4_IN3/ADC1_IN11, COMP7_INM, OPAMP4_VOUT, OPAMP6_VINP |
| H1 | 26 | 27 | 35 | 44 | J9 | 52 | 67 | PB13 | I/O | TT_a | - | SPI2_SCK/I2S2_CK, TIM1_CH1N, USART3_CTS, LPUART1_CTS, FDCAN2_TX, HRTIM1_CHC2, EVENTOUT | ADC3_IN5, COMP5_INP, OPAMP3_VINP, OPAMP4_VINP, OPAMP6_VINP |

Table 12. STM32G484xE pin definition (continued)

| Pin Number | | | | | | | | Pin name (function after reset) ⁽¹⁾ | Pin type | I/O structure | Notes | Alternate functions | Additional functions |
|------------|----------|--------|--------|--------|----------|---------|---------|---|----------|---------------|-------|---|---|
| WLCSP81 | UFQFPN48 | LQFP48 | LQFP64 | LQFP80 | TFBGA100 | LPQF100 | LPQF128 | | | | | | |
| G2 | 27 | 28 | 36 | 45 | H9 | 53 | 68 | PB14 | I/O | TT_a | - | TIM15_CH1, SPI2_MISO, TIM1_CH2N, USART3_RTS_DE, COMP4_OUT, HRTIM1_CHD1, EVENTOUT | ADC4_IN4/ADC1_IN5, COMP7_INP, OPAMP2_VINP, OPAMP5_VINP |
| E4 | 28 | 29 | 37 | 46 | K9 | 54 | 69 | PB15 | I/O | TT_a | - | RTC_REFIN, TIM15_CH2, TIM15_CH1N, COMP3_OUT, TIM1_CH3N, SPI2_MOSI/I2S2_SD, HRTIM1_CHD2, EVENTOUT | ADC4_IN5/ADC2_IN15, COMP6_INM, OPAMP5_VINM |
| G1 | - | - | - | 47 | K10 | 55 | 70 | PD8 | I/O | TT_a | - | USART3_TX, FMC_D13, EVENTOUT | ADC4_IN12/ADC5_IN12, OPAMP4_VINM |
| F3 | - | - | - | 48 | G8 | 56 | 71 | PD9 | I/O | TT_a | - | USART3_RX, FMC_D14, EVENTOUT | ADC4_IN13/ADC5_IN13, OPAMP6_VINP |
| F2 | - | - | - | 49 | G7 | 57 | 72 | PD10 | I/O | FT_a | - | USART3_CK, FMC_D15, EVENTOUT | ADC345_IN7, COMP6_INM |
| E2 | - | - | - | - | H10 | 58 | 73 | PD11 | I/O | TT_a | - | TIM5_ETR, I2C4_SMBA, USART3_CTS, FMC_A16, EVENTOUT | ADC345_IN8, COMP6_INP, OPAMP4_VINP |
| - | - | - | - | - | J10 | 59 | 74 | PD12 | I/O | TT_a | - | TIM4_CH1, USART3_RTS_DE, FMC_A17, EVENTOUT | ADC345_IN9, COMP5_INP, OPAMP5_VINP |
| - | - | - | - | - | G9 | 60 | 75 | PD13 | I/O | FT_a | - | TIM4_CH2, FMC_A18, EVENTOUT | ADC345_IN10, COMP5_INM |
| - | - | - | - | - | F8 | 61 | 76 | PD14 | I/O | TT_a | - | TIM4_CH3, FMC_D0, EVENTOUT | ADC345_IN11, COMP7_INP, OPAMP2_VINP |
| - | - | - | - | - | G10 | 62 | 77 | PD15 | I/O | FT_a | - | TIM4_CH4, SPI2_NSS, FMC_D1, EVENTOUT | COMP7_INM |
| B1 | - | - | - | 50 | E7 | 63 | 78 | VSS | S | - | - | - | - |
| E1 | - | - | - | 51 | - | 64 | 79 | VDD | S | - | - | - | - |

Table 12. STM32G484xE pin definition (continued)

| Pin Number | | | | | | | | Pin name (function after reset) ⁽¹⁾ | Pin type | I/O structure | Notes | Alternate functions | Additional functions |
|------------|----------|--------|--------|--------|----------|---------|---------|---|----------|---------------|-------|---|----------------------|
| WLCSP81 | UFQFPN48 | LQFP48 | LQFP64 | LQFP80 | TFBGA100 | LPQF100 | LPQF128 | | | | | | |
| E3 | 29 | - | 38 | 52 | F9 | 65 | 80 | PC6 | I/O | FT_f | - | TIM3_CH1, HRTIM1_EEV10, TIM8_CH1, I2S2_MCK, COMP6_OUT, I2C4_SCL, HRTIM1_CHF1, EVENTOUT | - |
| D5 | - | - | 39 | 53 | F10 | 66 | 81 | PC7 | I/O | FT_f | - | TIM3_CH2, HRTIM1_FLT5, TIM8_CH2, I2S3_MCK, COMP5_OUT, I2C4_SDA, HRTIM1_CHF2, EVENTOUT | - |
| - | - | - | - | - | - | - | 82 | PG0 | I/O | FT | - | TIM20_CH1N, FMC_A10, EVENTOUT | - |
| - | - | - | - | - | - | - | 83 | PG1 | I/O | FT | - | TIM20_CH2N, FMC_A11, EVENTOUT | - |
| - | - | - | - | - | - | - | 84 | PG2 | I/O | FT | - | TIM20_CH3N, SPI1_SCK, FMC_A12, EVENTOUT | - |
| - | - | - | - | - | - | - | 85 | PG3 | I/O | FT_f | - | TIM20_BKIN, I2C4_SCL, SPI1_MISO, TIM20_CH4N, FMC_A13, EVENTOUT | - |
| - | - | - | - | - | - | - | 86 | PG4 | I/O | FT_f | - | TIM20_BKIN2, I2C4_SDA, SPI1_MOSI, FMC_A14, EVENTOUT | - |
| C5 | - | - | 40 | 54 | E8 | 67 | 87 | PC8 | I/O | FT_f | - | TIM3_CH3, HRTIM1_CHE1, TIM8_CH3, TIM20_CH3, COMP7_OUT, I2C3_SCL, EVENTOUT | - |

Table 12. STM32G484xE pin definition (continued)

| Pin Number | | | | | | | | Pin name (function after reset) ⁽¹⁾ | Pin type | I/O structure | Notes | Alternate functions | Additional functions |
|------------|----------|--------|--------|--------|----------|---------|---------|---|----------|---------------|-------|--|--------------------------|
| WLCSP81 | UFQFPN48 | LQFP48 | LQFP64 | LQFP80 | TFBGA100 | LPQF100 | LPQF128 | | | | | | |
| D2 | - | - | 41 | 55 | E9 | 68 | 88 | PC9 | I/O | FT_f | - | TIM3_CH4, RTIM1_CHE2, TIM8_CH4, I2SCKIN, TIM8_BKIN2, I2C3_SDA, EVENTOUT | - |
| D1 | 30 | 30 | 42 | 56 | E10 | 69 | 89 | PA8 | I/O | FT_a | - | MCO, I2C3_SCL, I2C2_SDA, I2S2_MCK, TIM1_CH1, USART1_CK, COMP7_OUT, TIM4_ETR, FDCAN3_RX, SAI1_CK2, HRTIM1_CHA1, SAI1_SCK_A, EVENTOUT | ADC5_IN1, OPAMP5_VOUT |
| D4 | 31 | 31 | 43 | 57 | D10 | 70 | 90 | PA9 | I/O | FT_fd a | - | I2C3_SMBA, I2C2_SCL, I2S3_MCK, TIM1_CH2, USART1_TX, OMP5_OUT, TIM15_BKIN, TIM2_CH3, HRTIM1_CHA2, SAI1_FS_A, EVENTOUT | ADC5_IN2, UCPD1_DBCC1 |
| D3 | 32 | 32 | 44 | 58 | D9 | 71 | 91 | PA10 | I/O | FT_fd a | - | TIM17_BKIN, USB_CR2_SYNC, I2C2_SMBA, SPI2_MISO, TIM1_CH3, USART1_RX, COMP6_OUT, TIM2_CH4, TIM8_BKIN, SAI1_D1, HRTIM1_CHB1, SAI1_SD_A, EVENTOUT | UCPD1_DBCC2 |

Table 12. STM32G484xE pin definition (continued)

| Pin Number | | | | | | | | Pin name (function after reset) ⁽¹⁾ | Pin type | I/O structure | Notes | Alternate functions | Additional functions |
|------------|----------|--------|--------|--------|----------|---------|---------|---|----------|---------------|-------|---|----------------------|
| WLCSP81 | UFQFPN48 | LQFP48 | LQFP64 | LQFP80 | TFBGA100 | LPQF100 | LPQF128 | | | | | | |
| C2 | 33 | 33 | 45 | 59 | C10 | 72 | 92 | PA11 | I/O | FT_u | - | SPI2_MOSI/I2S2_SD, TIM1_CH1N, USART1_CTS, COMP1_OUT, FDCAN1_RX, TIM4_CH1, TIM1_CH4, TIM1_BKIN2, HRTIM1_CHB2, EVENTOUT | USB_DM |
| C1 | 34 | 34 | 46 | 60 | C9 | 73 | 93 | PA12 | I/O | FT_u | - | TIM16_CH1, I2SCKIN, TIM1_CH2N, USART1_RTS_DE, COMP2_OUT, FDCAN1_TX, TIM4_CH2, TIM1_ETR, HRTIM1_FLT1, EVENTOUT | USB_DP |
| A8 | - | 35 | 47 | 61 | F6 | 74 | 94 | VSS | S | - | - | - | - |
| A1 | 35 | 36 | 48 | 62 | - | 75 | 95 | VDD | S | - | - | - | - |
| B2 | 36 | 37 | 49 | 63 | D8 | 76 | 96 | PA13 | I/O | FT_f | (4) | SWDIO-JTMS, TIM16_CH1N, I2C4_SCL, I2C1_SCL, IR_OUT, USART3_CTS, TIM4_CH3, SAI1_SD_B, EVENTOUT | - |
| - | - | - | - | - | - | - | 97 | PF6 | I/O | FT_f | - | TIM5_ETR, TIM4_CH4, SAI1_SD_B, I2C2_SCL, TIM5_CH1, USART3_RTS, QUADSPI1_BK1_IO3, EVENTOUT | - |
| C3 | 37 | 38 | 50 | 64 | B10 | 77 | 98 | PA14 | I/O | FT_f | (4) | SWCLK-JTCK, LPTIM1_OUT, I2C4_SMBA, I2C1_SDA, TIM8_CH2, TIM1_BKIN, USART2_TX, SAI1_FS_B, EVENTOUT | - |

Table 12. STM32G484xE pin definition (continued)

| Pin Number | | | | | | | | Pin name (function after reset) ⁽¹⁾ | Pin type | I/O structure | Notes | Alternate functions | Additional functions |
|------------|----------|--------|--------|--------|----------|---------|---------|---|----------|---------------|-------|--|----------------------|
| WLCSP81 | UFQFPN48 | LQFP48 | LQFP64 | LQFP80 | TFBGA100 | LPQF100 | LPQF128 | | | | | | |
| A2 | 38 | 39 | 51 | 65 | B9 | 78 | 99 | PA15 | I/O | FT_f | (4) | JTDI, TIM2_CH1, TIM8_CH1, I2C1_SCL, SPI1_NSS, SPI3_NSS/I2S3_WS, USART2_RX, UART4_RTS_DE, TIM1_BKIN, FDCAN3_TX, HRTIM1_FLT2, TIM2_ETR, EVENTOUT | - |
| B3 | 39 | - | 52 | 66 | C8 | 79 | 100 | PC10 | I/O | FT | - | TIM8_CH1N, UART4_TX, SPI3_SCK/I2S3_CK, USART3_TX, HRTIM1_FLT6, EVENTOUT | - |
| C4 | 40 | - | 53 | 67 | C7 | 80 | 101 | PC11 | I/O | FT_f | - | HRTIM1_EEV2, TIM8_CH2N, UART4_RX, SPI3_MISO, USART3_RX, I2C3_SDA, EVENTOUT | - |
| A3 | - | - | 54 | 68 | A10 | 81 | 102 | PC12 | I/O | FT | - | TIM5_CH2, HRTIM1_EEV1, TIM8_CH3N, UART5_TX, SPI3_MOSI/I2S3_SD, USART3_CK, UCPD1_FRSTX, EVENTOUT | - |
| - | - | - | - | - | - | - | 103 | PG5 | I/O | FT | - | TIM20_ETR, SPI1_NSS, LPUART1_CTS, FMC_A15, EVENTOUT | - |
| - | - | - | - | - | - | - | 104 | PG6 | I/O | FT | - | TIM20_BKIN, I2C3_SMBA, LPUART1_RTS_DE, FMC_INT, EVENTOUT | - |
| - | - | - | - | - | - | - | 105 | PG7 | I/O | FT_f | - | SAI1_CK1, I2C3_SCL, LPUART1_TX, FMC_INT, SAI1_MCLK_A, EVENTOUT | - |

Table 12. STM32G484xE pin definition (continued)

| Pin Number | | | | | | | | Pin name (function after reset) ⁽¹⁾ | Pin type | I/O structure | Notes | Alternate functions | Additional functions |
|------------|----------|--------|--------|--------|----------|---------|---------|---|----------|---------------|-------|--|----------------------|
| WLCSP81 | UFQFPN48 | LQFP48 | LQFP64 | LQFP80 | TFBGA100 | LPQF100 | LPQF128 | | | | | | |
| - | - | - | - | - | - | - | 106 | PG8 | I/O | FT_f | - | I2C3_SDA, LPUART1_RX, FMC_NE3, EVENTOUT | - |
| - | - | - | - | - | - | - | 107 | PG9 | I/O | FT | - | SPI3_SCK, USART1_TX, FMC_NCE/FMC_NE 2, TIM15_CH1N, EVENTOUT | - |
| B4 | - | - | - | 69 | B8 | 82 | 108 | PD0 | I/O | FT | - | TIM8_CH4N, FDCAN1_RX, FMC_D2, EVENTOUT | - |
| A4 | - | - | - | 70 | A9 | 83 | 109 | PD1 | I/O | FT | - | TIM8_CH4, TIM8_BKIN2, FDCAN1_TX, FMC_D3, EVENTOUT | - |
| - | - | - | - | - | - | - | 110 | VSS | S | - | - | - | - |
| A1 | - | - | - | - | - | - | 111 | VDD | S | - | - | - | - |
| B5 | - | - | 55 | 71 | B7 | 84 | 112 | PD2 | I/O | FT | - | TIM3_ETR, TIM8_BKIN, UART5_RX, EVENTOUT | - |
| - | - | - | - | - | C6 | 85 | 113 | PD3 | I/O | FT | - | TIM2_CH1/ TIM2_ETR, USART2_CTS, QUADSPI1_BK2_NC S, FMC_CLK, EVENTOUT | - |
| - | - | - | - | - | A8 | 86 | 114 | PD4 | I/O | FT | - | TIM2_CH2, USART2_RTS_DE, QUADSPI1_BK2_IO0 , FMC_NOE, EVENTOUT | - |
| - | - | - | - | - | A7 | 87 | 115 | PD5 | I/O | FT | - | USART2_TX, QUADSPI1_BK2_IO1 , FMC_NWE, EVENTOUT | - |
| - | - | - | - | - | A6 | 88 | 116 | PD6 | I/O | FT | - | TIM2_CH4, SAI1_D1, USART2_RX, QUADSPI1_BK2_IO2 , FMC_NWAIT, SAI1_SD_A, EVENTOUT | - |

Table 12. STM32G484xE pin definition (continued)

| Pin Number | | | | | | | | Pin name (function after reset) ⁽¹⁾ | Pin type | I/O structure | Notes | Alternate functions | Additional functions |
|------------|----------|--------|--------|--------|----------|---------|---------|---|----------|---------------|-------|---|----------------------|
| WLCSP81 | UFQFPN48 | LQFP48 | LQFP64 | LQFP80 | TFBGA100 | LPQF100 | LPQF128 | | | | | | |
| - | - | - | - | - | B6 | 89 | 117 | PD7 | I/O | FT | - | TIM2_CH3, USART2_CK, QUADSPI1_BK2_IO3 FMC_NCE/FMC_NE 1, EVENTOUT | - |
| A5 | 41 | 40 | 56 | 72 | A5 | 90 | 118 | PB3 | I/O | FT | (4) | JTDO-TRACESWO, TIM2_CH2, TIM4_ETR, UCPD1_CR3_SYNC, TIM8_CH1N, SPI1_SCK, SPI3_SCK/I2S3_CK, USART2_TX, TIM3_ETR, FDCAN3_RX, HRTIM1_SCOUT, HRTIM1_EEV9, SAI1_SCK_B, EVENTOUT | - |
| C6 | 42 | 41 | 57 | 73 | C5 | 91 | 119 | PB4 | I/O | FT_c | (4) | JTRST, TIM16_CH1, TIM3_CH1, TIM8_CH2N, SPI1_MISO, SPI3_MISO, USART2_RX, UART5_RTS_DE, TIM17_BKIN, FDCAN3_TX, HRTIM1_EEV7, SAI1_MCLK_B, EVENTOUT | UCPD1_CC2 |
| A6 | 43 | 42 | 58 | 74 | B5 | 92 | 120 | PB5 | I/O | FT_f | - | TIM16_BKIN, TIM3_CH2, TIM8_CH3N, I2C1_SMBA, SPI1_MOSI, SPI3_MOSI/I2S3_SD , USART2_CK, I2C3_SDA, FDCAN2_RX, TIM17_CH1, LPTIM1_IN1, SAI1_SD_B, HRTIM1_EEV6, UART5_CTS, EVENTOUT | - |

Table 12. STM32G484xE pin definition (continued)

| Pin Number | | | | | | | | Pin name (function after reset) ⁽¹⁾ | Pin type | I/O structure | Notes | Alternate functions | Additional functions |
|------------|----------|--------|--------|--------|----------|---------|---------|---|----------|---------------|-------|--|----------------------|
| WLCSP81 | UFQFPN48 | LQFP48 | LQFP64 | LQFP80 | TFBGA100 | LPQF100 | LPQF128 | | | | | | |
| B6 | 44 | 43 | 59 | 75 | A4 | 93 | 121 | PB6 | I/O | FT_c | - | TIM16_CH1N, TIM4_CH1, TIM8_CH1, TIM8_ETR, USART1_TX, COMP4_OUT, FDCAN2_TX, TIM8_BKIN2, LPTIM1_ETR, HRTIM1_SCIN, HRTIM1_EEV4, SAI1_FS_B, EVENTOUT | UCPD1_CC1 |
| C7 | 45 | 44 | 60 | 76 | B4 | 94 | 122 | PB7 | I/O | FT_f | - | TIM17_CH1N, TIM4_CH2, I2C4_SDA, I2C1_SDA, TIM8_BKIN, USART1_RX, COMP3_OUT, TIM3_CH4, LPTIM1_IN2, FMC_NL, HRTIM1_EEV3, UART4_CTS, EVENTOUT | PVD_IN |
| B7 | 46 | 45 | 61 | 77 | A3 | 95 | 123 | PB8-BOOT0 | I/O | FT_f | (5) | TIM16_CH1, TIM4_CH3, SAI1_CK1, I2C1_SCL, USART3_RX, COMP1_OUT, FDCAN1_RX, TIM8_CH2, TIM1_BKIN, HRTIM1_EEV8, SAI1_MCLK_A, EVENTOUT | - |
| A7 | 47 | 46 | 62 | 78 | A2 | 96 | 124 | PB9 | I/O | FT_f | - | TIM17_CH1, TIM4_CH4, SAI1_D2, I2C1_SDA, IR_OUT, USART3_TX, COMP2_OUT, FDCAN1_TX, TIM8_CH3, TIM1_CH3N, HRTIM1_EEV5, SAI1_FS_A, EVENTOUT | - |

Table 12. STM32G484xE pin definition (continued)

| Pin Number | | | | | | | | Pin name (function after reset) ⁽¹⁾ | Pin type | I/O structure | Notes | Alternate functions | Additional functions |
|------------|----------|--------|--------|--------|----------|---------|---------|---|----------|---------------|-------|---|----------------------|
| WLCSP81 | UFQFPN48 | LQFP48 | LQFP64 | LQFP80 | TFBGA100 | LPQF100 | LPQF128 | | | | | | |
| - | - | - | - | - | C4 | 97 | 125 | PE0 | I/O | FT | - | TIM4_ETR, TIM20_CH4N, TIM16_CH1, TIM20_ETR, USART1_TX, FMC_NBL0, EVENTOUT | - |
| - | - | - | - | - | B3 | 98 | 126 | PE1 | I/O | FT | - | TIM17_CH1, TIM20_CH4, USART1_RX, FMC_NBL1, EVENTOUT | - |
| - | - | 47 | 63 | 79 | - | 99 | 127 | VSS | S | - | - | - | - |
| A9 | 48 | 48 | 64 | 80 | - | 100 | 128 | VDD | S | - | - | - | - |

- Function availability depends on the chosen device.
- PC13, PC14 and PC15 are supplied through the power switch. Since the switch only sinks a limited amount of current (3 mA), the use of GPIOs PC13 to PC15 in output mode is limited:
 - The speed should not exceed 2 MHz with a maximum load of 30 pF
 - These GPIOs must not be used as current sources (e.g. to drive an LED).
- After a backup domain power-up, PC13, PC14 and PC15 operate as GPIOs. Their function then depends on the content of the RTC registers which are not reset by the system reset. For details on how to manage these GPIOs, refer to the Backup domain and RTC register descriptions in the reference manual RM0440 "STM32G4 Series advanced Arm[®]-based 32-bit MCUs".
- After reset, these pins are configured as JTAG/SW debug alternate functions, and the internal pull-up on PA15, PA13, PB4 pins and the internal pull-down on PA14 pin are activated.
- It is recommended to set PB8 in another mode than analog mode after startup to limit consumption if the pin is left unconnected.



4.10 Alternate functions

Table 13. Alternate function

| Port | AF0 | AF1 | AF2 | AF3 | AF4 | AF5 | AF6 | AF7 | AF8 | AF9 | AF10 | AF11 | AF12 | AF13 | AF14 | AF15 |
|------|-----------------|--------------------------------|---|--|---------------------------------|---|---|------------------------------------|--|--------------------------------------|--------------------------------|--------------------------------|--------------------------------------|--------------------------------|--|--------------|
| | I2C4/ SYS_AF | LPTIM1/ TIM2/5/ 15/16/17 | I2C1/3/ TIM1/2/3/4/5/8/ 20/15/ COMP1 | QUADSPI1/ I2C3/4/SAI1/US B/HRTIM1/ TIM8/20/15/ COMP3 | I2C1/2/3/ 4/TIM1/8/ 16/17 | QUADSPI1 /SPI1/2/3/4/ I2S2/3/I2C4/ UART4/5/ TIM8/ Infrared | QUADSPI1/ SPI2/3/I2S2 /3/TIM1/5/8/ 20/Infrared | USART1/2/3 /FDCAN/CO MP7/5/6 | I2C3/4/UAR T4/5/LPUA RT1/COMP 1/2/7/4/5/6/ 3 | FDCAN/T IM1/8/15/ FDCAN1/ 2 | QUADSPI1/ TIM2/3/4/8/1 7 | LPTIM1/ TIM1/8/F DCAN1/3 | FMC/LPUART1 /SAI1/HRTIM1/ TIM1 | SAI1SAI1/HR TIM1/OPAMP 2 | UART4/5/ SAI1/TIM 2/15/ UCPD1 | EVENT |
| PA0 | - | TIM2_CH1 | TIM5_CH1 | - | - | - | - | USART2_ CTS | COMP1 _OUT | TIM8 BKIN | TIM8_ETR | - | - | - | TIM2_ ETR | EVENT OUT |
| PA1 | RTC_ REFIN | TIM2_CH2 | TIM5_CH2 | - | - | - | - | USART2_ RTS_DE | - | TIM15_ CH1N | - | - | - | - | - | EVENT OUT |
| PA2 | - | TIM2_CH3 | TIM5_CH3 | - | - | - | - | USART2_ TX | COMP2 _OUT | TIM15_ CH1 | QUADSPI1_ BK1_NCS | - | LPUART1_TX | - | UCPD1_ FRSTX | EVENT OUT |
| PA3 | - | TIM2_CH4 | TIM5_CH4 | SAI1_CK1 | - | - | - | USART2_ RX | - | TIM15_ CH2 | QUADSPI1_ CLK | - | LPUART1_RX | SAI1_MCLK_ A | - | EVENT OUT |
| PA4 | - | - | TIM3_CH2 | - | - | SPI1_NSS | SPI3_NSS/ I2S3_WS | USART2_ CK | - | - | - | - | - | SAI1_FS_B | - | EVENT OUT |
| PA5 | - | TIM2_CH1 | TIM2_ETR | - | - | SPI1_SCK | - | - | - | - | - | - | - | - | UCPD1_ FRSTX | EVENT OUT |
| PA6 | - | TIM16_CH1 | TIM3_CH1 | - | TIM8_ BKIN | SPI1_MISO | TIM1_BKIN | - | COMP1 _OUT | - | QUADSPI1_ BK1_IO3 | - | LPUART1_ CTS | - | - | EVENT OUT |
| PA7 | - | TIM17_CH1 | TIM3_CH2 | - | TIM8_ CH1N | SPI1_MOSI | TIM1_ CH1N | - | COMP2_ OUT | - | QUADSPI1_ BK1_IO2 | - | - | - | UCPD1_ FRSTX | EVENT OUT |
| PA8 | MCO | - | I2C3_SCL | - | I2C2_ SDA | I2S2_MCK | TIM1_CH1 | USART1_ CK | COMP7 _OUT | - | TIM4_ETR | FDCAN3_ RX | SAI1_CK2 | HRTIM1_ CHA1 | SAI1_SC K_A | EVENT OUT |
| PA9 | - | - | I2C3_SMBA | - | I2C2_ SCL | I2S3_MCK | TIM1_CH2 | USART1_ TX | COMP5 _OUT | TIM15_ BKIN | TIM2_CH3 | - | - | HRTIM1_ CHA2 | SAI1_FS_ A | EVENT OUT |
| PA10 | - | TIM17_BKIN | - | USB_ CRS_SYNC | I2C2_ SMBA | SPI2_MISO | TIM1_CH3 | USART1_ RX | COMP6 _OUT | - | TIM2_CH4 | TIM8_ BKIN | SAI1_D1 | HRTIM1_ CHB1 | SAI1_SD_ A | EVENT OUT |
| PA11 | - | - | - | - | - | SPI2_MOSI/ I2S2_SD | TIM1_ CH1N | USART1_ CTS | COMP1 _OUT | FDCAN1_ RX | TIM4_CH1 | TIM1_ CH4 | TIM1_BKIN2 | HRTIM1_ CHB2 | - | EVENT OUT |
| PA12 | - | TIM16_CH1 | - | - | - | I2SCKIN | TIM1_ CH2N | USART1_ RTS_DE | COMP2 _OUT | FDCAN1_ TX | TIM4_CH2 | TIM1_ ETR | - | HRTIM1_ FLT1 | - | EVENT OUT |
| PA13 | SWDIO- JTMS | TIM16_CH1N | - | I2C4_SCL | I2C1_ SCL | IR_OUT | - | USART3_ CTS | - | - | TIM4_CH3 | - | - | SAI1_SD_B | - | EVENT OUT |
| PA14 | SWCLK- JTCK | LPTIM1_OUT | - | I2C4_SMBA | I2C1_ SDA | TIM8_CH2 | TIM1_ BKIN | USART2_ TX | - | - | - | - | - | SAI1_FS_B | - | EVENT OUT |
| PA15 | JTDI | TIM2_CH1 | TIM8_CH1 | - | I2C1_ SCL | SPI1_NSS | SPI3_NSS/ I2S3_WS | USART2_ RX | UART4_ RTS_DE | TIM1_ BKIN | - | FDCAN3_ TX | - | HRTIM1_ FLT2 | TIM2_ ETR | EVENT OUT |

DS12983 Rev 2

73/238



Table 13. Alternate function (continued)

| Port | AF0 | AF1 | AF2 | AF3 | AF4 | AF5 | AF6 | AF7 | AF8 | AF9 | AF10 | AF11 | AF12 | AF13 | AF14 | AF15 | |
|--------|-----------------|--------------------------------|---|--|---------------------------------|---|---|------------------------------------|--|--------------------------------------|--------------------------------|--------------------------------|--------------------------------------|--------------------------------|--|-----------------|--------------|
| | I2C4/ SYS_AF | LPTIM1/ TIM2/5/ 15/16/17 | I2C1/3/ TIM1/2/3/4/5/8/ 20/15/ COMP1 | QUADSPI1/ I2C3/4/SAI1/US B/HRTIM1/ TIM8/20/15/ COMP3 | I2C1/2/3/ 4/TIM1/8/ 16/17 | QUADSPI1 /SPI1/2/3/4/ I2S2/3/I2C4/ UART4/5/ TIM8/ Infrared | QUADSPI1/ SPI2/3/I2S2 /3/TIM1/5/8/ 20/Infrared | USART1/2/3 /FDCAN/CO MP7/5/6 | I2C3/4/UAR T4/5/LPUA RT1/COMP 1/2/7/4/5/6/ 3 | FDCAN/T IM1/8/15/ FDCAN1/ 2 | QUADSPI1/ TIM2/3/4/8/1 7 | LPTIM1/ TIM1/8/F DCAN1/3 | FMC/LPUART1 /SAI1/HRTIM1/ TIM1 | SAI1SAI1/HR TIM1/OPAMP 2 | UART4/5/ SAI1/TIM 2/15/ UCPD1 | EVENT | |
| Port B | PB0 | - | - | TIM3_CH3 | - | TIM8_CH2N | - | TIM1_CH2N | - | - | - | QUADSPI1_ BK1_IO1 | - | - | HRTIM1_ FLT5 | UCPD1_ FRSTX | EVENT OUT |
| | PB1 | - | - | TIM3_CH4 | - | TIM8_CH3N | - | TIM1_CH3N | - | COMP4_ OUT | - | QUADSPI1_ BK1_IO0 | - | LPUART1_ RTS_DE | HRTIM1_ SCOUT | - | EVENT OUT |
| | PB2 | RTC_OUT2 | LPTIM1_OUT | TIM5_CH1 | TIM20_CH1 | I2C3_ SMBA | - | - | - | - | - | QUADSPI1_ BK2_IO1 | - | - | HRTIM1_ SCIN | - | EVENT OUT |
| | PB3 | JTDO- TRACESWO | TIM2_CH2 | TIM4_ETR | USB_CRS_ SYNC | TIM8_ CH1N | SPI1_SCK | SPI3_SCK/ I2S3_CK | USART2_ TX | - | - | TIM3_ETR | FDCAN3_ RX | HRTIM1_ SCOUT | HRTIM1_ EEV9 | SAI1_ SCK_B | EVENT OUT |
| | PB4 | JTRST | TIM16_CH1 | TIM3_CH1 | - | TIM8_ CH2N | SPI1_MISO | SPI3_MISO | USART2_ RX | UART5_ RTS_DE | - | TIM17_BKIN | FDCAN3_ TX | - | HRTIM1_ EEV7 | SAI1_ MCLK_B | EVENT OUT |
| | PB5 | - | TIM16_BKIN | TIM3_CH2 | TIM8_CH3N | I2C1_ SMBA | SPI1_MOSI | SPI3_MOSI /I2S3_SD | USART2_ CK | I2C3_SDA | FDCAN2_ RX | TIM17_CH1 | LPTIM1_ IN1 | SAI1_SD_B | HRTIM1_ EEV6 | UART5_ CTS | EVENT OUT |
| | PB6 | - | TIM16_CH1N | TIM4_CH1 | - | - | TIM8_CH1 | TIM8_ETR | USART1_ TX | COMP4_ OUT | FDCAN2_ TX | TIM8_BKIN2 | LPTIM1_ ETR | HRTIM1_ SCIN | HRTIM1_ EEV4 | SAI1_FS_ B | EVENT OUT |
| | PB7 | - | TIM17_CH1N | TIM4_CH2 | I2C4_SDA | I2C1_ SDA | TIM8_BKIN | - | USART1_ RX | COMP3_ OUT | - | TIM3_CH4 | LPTIM1_ IN2 | FMC_NL | HRTIM1_ EEV3 | UART4_ CTS | EVENT OUT |
| | PB8 | - | TIM16_CH1 | TIM4_CH3 | SAI1_CK1 | I2C1_ SCL | - | - | USART3_ RX | COMP1_ OUT | FDCAN1_ RX | TIM8_CH2 | - | TIM1_BKIN | HRTIM1_ EEV8 | SAI1_ MCLK_A | EVENT OUT |
| | PB9 | - | TIM17_CH1 | TIM4_CH4 | SAI1_D2 | I2C1_ SDA | - | IR_OUT | USART3_ TX | COMP2_ OUT | FDCAN1_ TX | TIM8_CH3 | - | TIM1_CH3N | HRTIM1_ EEV5 | SAI1_FS_ A | EVENT OUT |
| | PB10 | - | TIM2_CH3 | - | - | - | - | - | USART3_ TX | LPUART1_ RX | - | QUADSPI1_ CLK | - | TIM1_BKIN | HRTIM1_ FLT3 | SAI1_SC K_A | EVENT OUT |
| | PB11 | - | TIM2_CH4 | - | - | - | - | - | USART3_ RX | LPUART1_ TX | - | QUADSPI1_ BK1_NCS | - | - | HRTIM1_ FLT4 | - | EVENT OUT |
| | PB12 | - | - | TIM5_ETR | - | I2C2_ SMBA | SPI2_NSS/ I2S2_WS | TIM1_BKIN | USART3_ CK | LPUART1_ RTS_DE | FDCAN2_ RX | - | - | - | HRTIM1_ CHC1 | - | EVENT OUT |
| | PB13 | - | - | - | - | - | SPI2_SCK/ I2S2_CK | TIM1_ CH1N | USART3_ CTS | LPUART1_ CTS | FDCAN2_ TX | - | - | - | HRTIM1_ CHC2 | - | EVENT OUT |
| | PB14 | - | TIM15_CH1 | - | - | - | SPI2_MISO | TIM1_ CH2N | USART3_ RTS_DE | COMP4_ OUT | - | - | - | - | HRTIM1_ CHD1 | - | EVENT OUT |
| PB15 | RTC_REFIN | TIM15_CH2 | TIM15_CH1N | COMP3_OUT | TIM1_ CH3N | SPI2_MOSI/ I2S2_SD | - | - | - | - | - | - | - | HRTIM1_ CHD2 | - | EVENT OUT | |



Table 13. Alternate function (continued)

| Port | AF0 | AF1 | AF2 | AF3 | AF4 | AF5 | AF6 | AF7 | AF8 | AF9 | AF10 | AF11 | AF12 | AF13 | AF14 | AF15 | |
|--------|-----------------|--------------------------------|---|--|---------------------------------|---|---|------------------------------------|--|--------------------------------------|--------------------------------|--------------------------------|--------------------------------------|--------------------------------|--|--------------|-----------|
| | I2C4/ SYS_AF | LPTIM1/ TIM2/5/ 15/16/17 | I2C1/3/ TIM1/2/3/4/5/8/ 20/15/ COMP1 | QUADSPI1/ I2C3/4/SAI1/US B/HRTIM1/ TIM8/20/15/ COMP3 | I2C1/2/3/ 4/TIM1/8/ 16/17 | QUADSPI1 /SPI1/2/3/4/ I2S2/3/I2C4/ UART4/5/ TIM8/ Infrared | QUADSPI1/ SPI2/3/I2S2 /3/TIM1/5/8/ 20/Infrared | USART1/2/3 /FDCAN/CO MP7/5/6 | I2C3/4/UAR T4/5/LPUA RT1/COMP 1/2/7/4/5/6/ 3 | FDCAN/T IM1/8/15/ FDCAN1/ 2 | QUADSPI1/ TIM2/3/4/8/1 7 | LPTIM1/ TIM1/8/F DCAN1/3 | FMC/LPUART1 /SAI1/HRTIM1/ TIM1 | SAI1SAI1/HR TIM1/OPAMP 2 | UART4/5/ SAI1/TIM 2/15/ UCPD1 | EVENT | |
| Port C | PC0 | - | LPTIM1_IN1 | TIM1_CH1 | - | - | - | - | LPUART1_ RX | - | - | - | - | - | - | EVENT OUT | |
| | PC1 | - | LPTIM1_OUT | TIM1_CH2 | - | - | - | - | LPUART1_ TX | - | QUADSPI1_ BK2_IO0 | - | - | SAI1_SD_A | - | EVENT OUT | |
| | PC2 | - | LPTIM1_IN2 | TIM1_CH3 | COMP3_OUT | - | - | TIM20_CH2 | - | - | - | QUADSPI1_ BK2_IO1 | - | - | - | EVENT OUT | |
| | PC3 | - | LPTIM1_ETR | TIM1_CH4 | SAI1_D1 | - | - | TIM1_ BKin2 | - | - | - | QUADSPI1_ BK2_IO2 | - | - | SAI1_SD_A | - | EVENT OUT |
| | PC4 | - | - | TIM1_ETR | - | I2C2_ SCL | - | - | USART1_ TX | - | - | QUADSPI1_ BK2_IO3 | - | - | - | - | EVENT OUT |
| | PC5 | - | - | TIM15_BKIN | SAI1_D3 | - | - | TIM1_ CH4N | USART1_ RX | - | - | - | - | - | HRTIM1_ EEV10 | - | EVENT OUT |
| | PC6 | - | - | TIM3_CH1 | HRTIM1_EEV10 | TIM8_ CH1 | - | I2S2_MCK | COMP6_ OUT | I2C4_SCL | - | - | - | - | HRTIM1_ CHF1 | - | EVENT OUT |
| | PC7 | - | - | TIM3_CH2 | HRTIM1_FLT5 | TIM8_ CH2 | - | I2S3_MCK | COMP5_ OUT | I2C4_SDA | - | - | - | - | HRTIM1_ CHF2 | - | EVENT OUT |
| | PC8 | - | - | TIM3_CH3 | HRTIM1_CHE1 | TIM8_ CH3 | - | TIM20_CH3 | COMP7_ OUT | I2C3_SCL | - | - | - | - | - | - | EVENT OUT |
| | PC9 | - | - | TIM3_CH4 | HRTIM1_CHE2 | TIM8_ CH4 | I2SCKIN | TIM8_ BKin2 | - | I2C3_SDA | - | - | - | - | - | - | EVENT OUT |
| | PC10 | - | - | - | - | TIM8_ CH1N | UART4_TX | SPI3_SCK/ I2S3_CK | USART3_ TX | - | - | - | - | - | HRTIM1_ FLT6 | - | EVENT OUT |
| | PC11 | - | - | - | HRTIM1_EEV2 | TIM8_ CH2N | UART4_RX | SPI3_MISO | USART3_ RX | I2C3_SDA | - | - | - | - | - | - | EVENT OUT |
| | PC12 | - | TIM5_CH2 | - | HRTIM1_EEV1 | TIM8_ CH3N | UART5_TX | SPI3_MOSI/ I2S3_SD | USART3_ CK | - | - | - | - | - | - | UCPD1_ FRSTX | EVENT OUT |
| | PC13 | - | - | TIM1_BKIN | - | TIM1_ CH1N | - | TIM8_ CH4N | - | - | - | - | - | - | - | - | EVENT OUT |
| | PC14 | - | - | - | - | - | - | - | - | - | - | - | - | - | - | - | EVENT OUT |
| PC15 | - | - | - | - | - | - | - | - | - | - | - | - | - | - | - | EVENT OUT | |



Table 13. Alternate function (continued)

| Port | AF0 | AF1 | AF2 | AF3 | AF4 | AF5 | AF6 | AF7 | AF8 | AF9 | AF10 | AF11 | AF12 | AF13 | AF14 | AF15 | |
|--------|-----------------|--------------------------------|---|--|---------------------------------|---|---|------------------------------------|--|--------------------------------------|--------------------------------|--------------------------------|--------------------------------------|--------------------------------|--|--------------|--------------|
| | I2C4/ SYS_AF | LPTIM1/ TIM2/5/ 15/16/17 | I2C1/3/ TIM1/2/3/4/5/8/ 20/15/ COMP1 | QUADSPI1/ I2C3/4/SAI1/US B/HRTIM1/ TIM8/20/15/ COMP3 | I2C1/2/3/ 4/TIM1/8/ 16/17 | QUADSPI1 /SPI1/2/3/4/ I2S2/3/I2C4/ UART4/5/ TIM8/ Infrared | QUADSPI1/ SPI2/3/I2S2 /3/TIM1/5/8/ 20/Infrared | USART1/2/3 /FDCAN/CO MP7/5/6 | I2C3/4/UAR T4/5/LPUA RT1/COMP 1/2/7/4/5/6/ 3 | FDCAN/T IM1/8/15/ FDCAN1/ 2 | QUADSPI1/ TIM2/3/4/8/1 7 | LPTIM1/ TIM1/8/F DCAN1/3 | FMC/LPUART1 /SAI1/HRTIM1/ TIM1 | SAI1SAI1/HR TIM1/OPAMP 2 | UART4/5/ SAI1/TIM 2/15/ UCPD1 | EVENT | |
| Port D | PD0 | - | - | - | - | - | TIM8_ CH4N | - | - | FDCAN1_ RX | - | - | FMC_D2 | - | - | EVENT OUT | |
| | PD1 | - | - | - | - | TIM8_ CH4 | TIM8_ BKIN2 | - | - | FDCAN1_ TX | - | - | FMC_D3 | - | - | EVENT OUT | |
| | PD2 | - | - | TIM3_ETR | - | TIM8_ BKIN | UART5_RX | - | - | - | - | - | - | - | - | EVENT OUT | |
| | PD3 | - | - | TIM2_CH1/ TIM2_ETR | - | - | - | USART2_ CTS | - | - | QUADSPI1 _BK2_NCS | - | - | FMC_CLK | - | - | EVENT OUT |
| | PD4 | - | - | TIM2_CH2 | - | - | - | USART2_ RTS_DE | - | - | QUADSPI1_ BK2_IO0 | - | - | FMC_NOE | - | - | EVENT OUT |
| | PD5 | - | - | - | - | - | - | USART2_ TX | - | - | QUADSPI1_ BK2_IO1 | - | - | FMC_NWE | - | - | EVENT OUT |
| | PD6 | - | - | TIM2_CH4 | SAI1_D1 | - | - | USART2_ RX | - | - | QUADSPI1_ BK2_IO2 | - | - | FMC_NWAIT | SAI1_SD_A | - | EVENT OUT |
| | PD7 | - | - | TIM2_CH3 | - | - | - | USART2_ CK | - | - | QUADSPI1_ BK2_IO3 | - | - | FMC_NCE/ FMC_NE1 | - | - | EVENT OUT |
| | PD8 | - | - | - | - | - | - | USART3_ TX | - | - | - | - | - | FMC_D13 | - | - | EVENT OUT |
| | PD9 | - | - | - | - | - | - | USART3_ RX | - | - | - | - | - | FMC_D14 | - | - | EVENT OUT |
| | PD10 | - | - | - | - | - | - | USART3_ CK | - | - | - | - | - | FMC_D15 | - | - | EVENT OUT |
| | PD11 | - | TIM5_ETR | - | - | I2C4_ SMBA | - | - | USART3_ CTS | - | - | - | - | FMC_A16 | - | - | EVENT OUT |
| | PD12 | - | - | TIM4_CH1 | - | - | - | - | USART3_ RTS_DE | - | - | - | - | FMC_A17 | - | - | EVENT OUT |
| | PD13 | - | - | TIM4_CH2 | - | - | - | - | - | - | - | - | - | FMC_A18 | - | - | EVENT OUT |
| | PD14 | - | - | TIM4_CH3 | - | - | - | - | - | - | - | - | - | FMC_D0 | - | - | EVENT OUT |
| PD15 | - | - | TIM4_CH4 | - | - | - | SPI2_NSS | - | - | - | - | - | FMC_D1 | - | - | EVENT OUT | |



Table 13. Alternate function (continued)

| Port | AF0 | AF1 | AF2 | AF3 | AF4 | AF5 | AF6 | AF7 | AF8 | AF9 | AF10 | AF11 | AF12 | AF13 | AF14 | AF15 | |
|--------|-----------------|--------------------------------|---|--|---------------------------------|---|---|------------------------------------|--|--------------------------------------|--------------------------------|--------------------------------|--------------------------------------|--------------------------------|--|-------|-----------|
| | I2C4/ SYS_AF | LPTIM1/ TIM2/5/ 15/16/17 | I2C1/3/ TIM1/2/3/4/5/8/ 20/15/ COMP1 | QUADSPI1/ I2C3/4/SAI1/US B/HRTIM1/ TIM8/20/15/ COMP3 | I2C1/2/3/ 4/TIM1/8/ 16/17 | QUADSPI1 /SPI1/2/3/4/ I2S2/3/I2C4/ UART4/5/ TIM8/ Infrared | QUADSPI1/ SPI2/3/I2S2 /3/TIM1/5/8/ 20/Infrared | USART1/2/3 /FDCAN/CO MP7/5/6 | I2C3/4/UAR T4/5/LPUA RT1/COMP 1/2/7/4/5/6/ 3 | FDCAN/T IM1/8/15/ FDCAN1/ 2 | QUADSPI1/ TIM2/3/4/8/1 7 | LPTIM1/ TIM1/8/F DCAN1/3 | FMC/LPUART1 /SAI1/HRTIM1/ TIM1 | SAI1SAI1/HR TIM1/OPAMP 2 | UART4/5/ SAI1/TIM 2/15/ UCPD1 | EVENT | |
| Port E | PE0 | - | - | TIM4_ETR | TIM20_CH4N | TIM16_CH1 | - | TIM20_ETR | USART1_TX | - | FDCAN1_RXFD | - | - | FMC_NBL0 | - | - | EVENT OUT |
| | PE1 | - | - | - | - | TIM17_CH1 | - | TIM20_CH4 | USART1_RX | - | - | - | - | FMC_NBL1 | - | - | EVENT OUT |
| | PE2 | TRACECK | - | TIM3_CH1 | SAI1_CK1 | - | SPI4_SCK | TIM20_CH1 | - | - | - | - | - | FMC_A23 | SAI1_MCLK_A | - | EVENT OUT |
| | PE3 | TRACED0 | - | TIM3_CH2 | - | - | SPI4_NSS | TIM20_CH2 | - | - | - | - | - | FMC_A19 | SAI1_SD_B | - | EVENT OUT |
| | PE4 | TRACED1 | - | TIM3_CH3 | SAI1_D2 | - | SPI4_NSS | TIM20_CH1N | - | - | - | - | - | FMC_A20 | SAI1_FS_A | - | EVENT OUT |
| | PE5 | TRACED2 | - | TIM3_CH4 | SAI1_CK2 | - | SPI4_MISO | TIM20_CH2N | - | - | - | - | - | FMC_A21 | SAI1_SCK_A | - | EVENT OUT |
| | PE6 | TRACED3 | - | - | SAI1_D1 | - | SPI4_MOSI | TIM20_CH3N | - | - | - | - | - | FMC_A22 | SAI1_SD_A | - | EVENT OUT |
| | PE7 | - | - | TIM1_ETR | - | - | - | - | - | - | - | - | - | FMC_D4 | SAI1_SD_B | - | EVENT OUT |
| | PE8 | - | TIM5_CH3 | TIM1_CH1N | - | - | - | - | - | - | - | - | - | FMC_D5 | SAI1_SCK_B | - | EVENT OUT |
| | PE9 | - | TIM5_CH4 | TIM1_CH1 | - | - | - | - | - | - | - | - | - | FMC_D6 | SAI1_FS_B | - | EVENT OUT |
| | PE10 | - | - | TIM1_CH2N | - | - | - | - | - | - | - | QUADSPI1_CLK | - | FMC_D7 | SAI1_MCLK_B | - | EVENT OUT |
| | PE11 | - | - | TIM1_CH2 | - | - | SPI4_NSS | - | - | - | - | QUADSPI1_BK1_NCS | - | FMC_D8 | - | - | EVENT OUT |
| | PE12 | - | - | TIM1_CH3N | - | - | SPI4_SCK | - | - | - | - | QUADSPI1_BK1_IO0 | - | FMC_D9 | - | - | EVENT OUT |
| | PE13 | - | - | TIM1_CH3 | - | - | SPI4_MISO | - | - | - | - | QUADSPI1_BK1_IO1 | - | FMC_D10 | - | - | EVENT OUT |
| | PE14 | - | - | TIM1_CH4 | - | - | SPI4_MOSI | TIM1_BKIN2 | - | - | - | QUADSPI1_BK1_IO2 | - | FMC_D11 | - | - | EVENT OUT |
| | PE15 | - | - | TIM1_BKIN | - | - | - | TIM1_CH4N | USART3_RX | - | - | QUADSPI1_BK1_IO3 | - | FMC_D12 | - | - | EVENT OUT |



Table 13. Alternate function (continued)

| Port | AF0 | AF1 | AF2 | AF3 | AF4 | AF5 | AF6 | AF7 | AF8 | AF9 | AF10 | AF11 | AF12 | AF13 | AF14 | AF15 | |
|--------|-----------------|--------------------------------|---|--|---------------------------------|---|---|------------------------------------|--|--------------------------------------|--------------------------------|--------------------------------|--------------------------------------|--------------------------------|--|-------|--------------|
| | I2C4/ SYS_AF | LPTIM1/ TIM2/5/ 15/16/17 | I2C1/3/ TIM1/2/3/4/5/8/ 20/15/ COMP1 | QUADSPI1/ I2C3/4/SAI1/US B/HRTIM1/ TIM8/20/15/ COMP3 | I2C1/2/3/ 4/TIM1/8/ 16/17 | QUADSPI1 /SPI1/2/3/4/ I2S2/3/I2C4/ UART4/5/ TIM8/ Infrared | QUADSPI1/ SPI2/3/I2S2 /3/TIM1/5/8/ 20/Infrared | USART1/2/3 /FDCAN/CO MP7/5/6 | I2C3/4/UAR T4/5/LPUA RT1/COMP 1/2/7/4/5/6/ 3 | FDCAN/T IM1/8/15/ FDCAN1/ 2 | QUADSPI1/ TIM2/3/4/8/1 7 | LPTIM1/ TIM1/8/F DCAN1/3 | FMC/LPUART1 /SAI1/HRTIM1/ TIM1 | SAI1SAI1/HR TIM1/OPAMP 2 | UART4/5/ SAI1/TIM 2/15/ UCPD1 | EVENT | |
| Port F | PF0 | - | - | - | - | I2C2_ SDA | SPI2_NSS/ I2S2_WS | TIM1_ CH3N | - | - | - | - | - | - | - | - | EVENT OUT |
| | PF1 | - | - | - | - | - | SPI2_SCK/ I2S2_CK | - | - | - | - | - | - | - | - | - | EVENT OUT |
| | PF2 | - | - | TIM20_CH3 | - | I2C2_ SMBA | - | - | - | - | - | - | - | FMC_A2 | - | - | EVENT OUT |
| | PF3 | - | - | TIM20_CH4 | - | I2C3_ SCL | - | - | - | - | - | - | - | FMC_A3 | - | - | EVENT OUT |
| | PF4 | - | - | COMP1_OUT | TIM20_CH1N | I2C3_ SDA | - | - | - | - | - | - | - | FMC_A4 | - | - | EVENT OUT |
| | PF5 | - | - | TIM20_CH2N | - | - | - | - | - | - | - | - | - | FMC_A5 | - | - | EVENT OUT |
| | PF6 | - | TIM5_ETR | TIM4_CH4 | SAI1_SD_B | I2C2_ SCL | - | TIM5_CH1 | USART3_ RTS | - | - | QUADSPI1_ BK1_IO3 | - | - | - | - | EVENT OUT |
| | PF7 | - | - | TIM20_BKIN | - | - | - | TIM5_CH2 | - | - | - | QUADSPI1_ BK1_IO2 | - | FMC_A1 | SAI1_MCLK_ B | - | EVENT OUT |
| | PF8 | - | - | TIM20_BKIN2 | - | - | - | TIM5_CH3 | - | - | - | QUADSPI1_ BK1_IO0 | - | FMC_A24 | SAI1_SCK_B | - | EVENT OUT |
| | PF9 | - | - | TIM20_BKIN | TIM15_CH1 | - | SPI2_SCK | TIM5_CH4 | - | - | - | QUADSPI1_ BK1_IO1 | - | FMC_A25 | SAI1_FS_B | - | EVENT OUT |
| | PF10 | - | - | TIM20_BKIN2 | TIM15_CH2 | - | SPI2_SCK | - | - | - | - | QUADSPI1_ CLK | - | FMC_A0 | SAI1_D3 | - | EVENT OUT |
| | PF11 | - | - | TIM20_ETR | - | - | - | - | - | - | - | - | - | FMC_NE4 | - | - | EVENT OUT |
| | PF12 | - | - | TIM20_CH1 | - | - | - | - | - | - | - | - | - | FMC_A6 | - | - | EVENT OUT |
| | PF13 | - | - | TIM20_CH2 | - | I2C4_ SMBA | - | - | - | - | - | - | - | FMC_A7 | - | - | EVENT OUT |
| | PF14 | - | - | TIM20_CH3 | - | I2C4_ SCL | - | - | - | - | - | - | - | FMC_A8 | - | - | EVENT OUT |
| | PF15 | - | - | TIM20_CH4 | - | I2C4_ SDA | - | - | - | - | - | - | - | FMC_A9 | - | - | EVENT OUT |



Table 13. Alternate function (continued)

| Port | AF0 | AF1 | AF2 | AF3 | AF4 | AF5 | AF6 | AF7 | AF8 | AF9 | AF10 | AF11 | AF12 | AF13 | AF14 | AF15 |
|--------|-----------------|--------------------------------|---|--|---------------------------------|---|---|------------------------------------|--|--------------------------------------|--------------------------------|--------------------------------|--------------------------------------|--------------------------------|--|--------------|
| | I2C4/ SYS_AF | LPTIM1/ TIM2/5/ 15/16/17 | I2C1/3/ TIM1/2/3/4/5/8/ 20/15/ COMP1 | QUADSPI1/ I2C3/4/SAI1/US B/HRTIM1/ TIM8/20/15/ COMP3 | I2C1/2/3/ 4/TIM1/8/ 16/17 | QUADSPI1 /SPI1/2/3/4/ I2S2/3/I2C4/ UART4/5/ TIM8/ Infrared | QUADSPI1/ SPI2/3/I2S2 /3/TIM1/5/8/ 20/Infrared | USART1/2/3 /FDCAN/CO MP7/5/6 | I2C3/4/UAR T4/5/LPUA RT1/COMP 1/2/7/4/5/6/ 3 | FDCAN/T IM1/8/15/ FDCAN1/ 2 | QUADSPI1/ TIM2/3/4/8/1 7 | LPTIM1/ TIM1/8/F DCAN1/3 | FMC/LPUART1 /SAI1/HRTIM1/ TIM1 | SAI1SAI1/HR TIM1/OPAMP 2 | UART4/5/ SAI1/TIM 2/15/ UCPD1 | EVENT |
| Port G | PG0 | - | - | TIM20_CH1N | - | - | - | - | - | - | - | - | FMC_A10 | - | - | EVENT OUT |
| | PG1 | - | - | TIM20_CH2N | - | - | - | - | - | - | - | - | FMC_A11 | - | - | EVENT OUT |
| | PG2 | - | - | TIM20_CH3N | - | - | SPI1_SCK | - | - | - | - | - | FMC_A12 | - | - | EVENT OUT |
| | PG3 | - | - | TIM20_BKIN | - | I2C4_ SCL | SPI1_MISO | TIM20_ CH4N | - | - | - | - | FMC_A13 | - | - | EVENT OUT |
| | PG4 | - | - | TIM20_BKIN2 | - | I2C4_ SDA | SPI1_MOSI | - | - | - | - | - | FMC_A14 | - | - | EVENT OUT |
| | PG5 | - | - | TIM20_ETR | - | - | SPI1_NSS | - | - | LPUART1_ CTS | - | - | FMC_A15 | - | - | EVENT OUT |
| | PG6 | - | - | TIM20_BKIN | - | I2C3_ SMBA | - | - | - | LPUART1_ RTS_DE | - | - | FMC_INT | - | - | EVENT OUT |
| | PG7 | - | - | - | SAI1_CK1 | I2C3_ SCL | - | - | - | LPUART1_ TX | - | - | FMC_INT | SAI1_MCLK_ A | - | EVENT OUT |
| | PG8 | - | - | - | - | I2C3_ SDA | - | - | - | LPUART1_ RX | - | - | FMC_NE3 | - | - | EVENT OUT |
| | PG9 | - | - | - | - | - | - | SPI3_SCK | USART1_TX | - | - | - | FMC_NCE/ FMC_NE2 | - | TIM15_ CH1N | EVENT OUT |
| | PG10 | MCO | - | - | - | - | - | - | - | - | - | - | - | - | - | EVENT OUT |

5 Electrical characteristics

5.1 Parameter conditions

Unless otherwise specified, all voltages are referenced to V_{SS} .

5.1.1 Minimum and maximum values

Unless otherwise specified, the minimum and maximum values are guaranteed in the worst conditions of ambient temperature, supply voltage and frequencies by tests in production on 100% of the devices with an ambient temperature at $T_A = 25\text{ °C}$ and $T_A = T_{Amax}$ (given by the selected temperature range).

Data based on characterization results, design simulation and/or technology characteristics are indicated in the table footnotes and are not tested in production. Based on characterization, the minimum and maximum values refer to sample tests and represent the mean value plus or minus three times the standard deviation (mean $\pm 3\sigma$).

5.1.2 Typical values

Unless otherwise specified, typical data are based on $T_A = 25\text{ °C}$, $V_{DD} = V_{DDA} = 3\text{ V}$. They are given only as design guidelines and are not tested.

Typical ADC accuracy values are determined by characterization of a batch of samples from a standard diffusion lot over the full temperature range, where 95% of the devices have an error less than or equal to the value indicated (mean $\pm 2\sigma$).

5.1.3 Typical curves

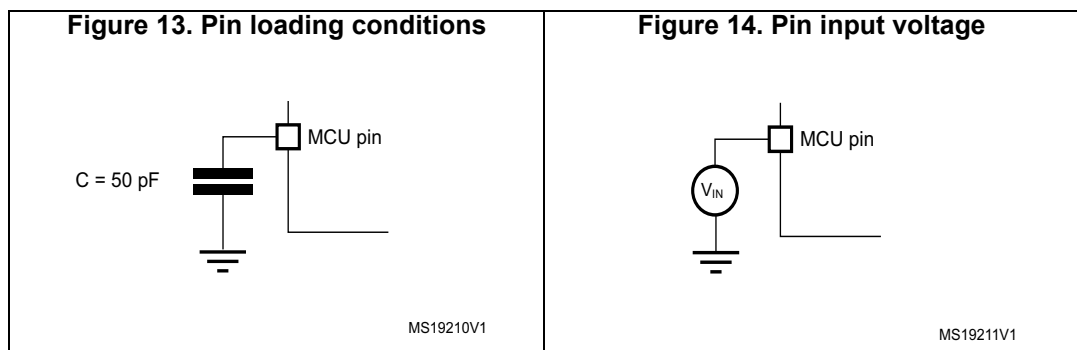
Unless otherwise specified, all typical curves are given only as design guidelines and are not tested.

5.1.4 Loading capacitor

The loading conditions used for pin parameter measurement are shown in [Figure 13](#).

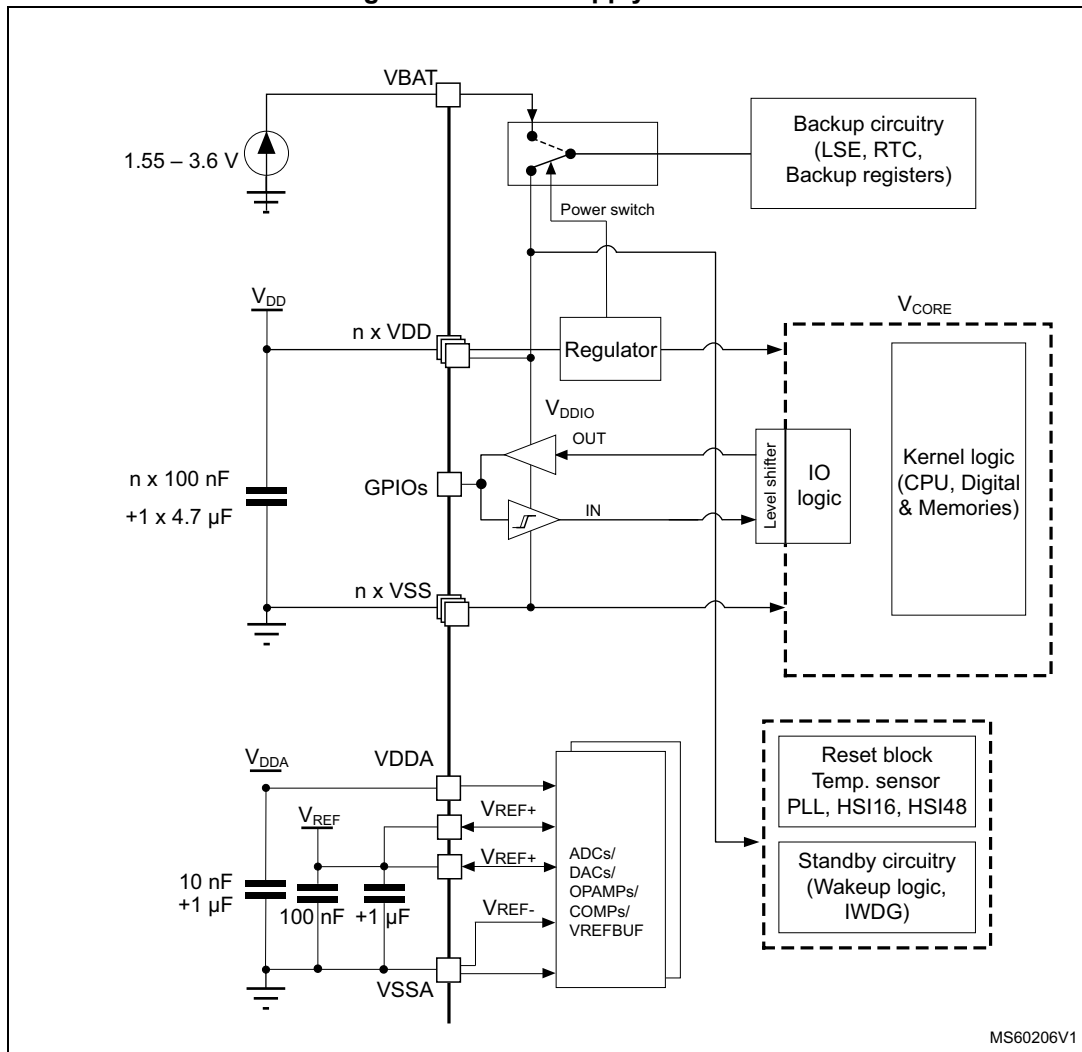
5.1.5 Pin input voltage

The input voltage measurement on a pin of the device is described in [Figure 14](#).



5.1.6 Power supply scheme

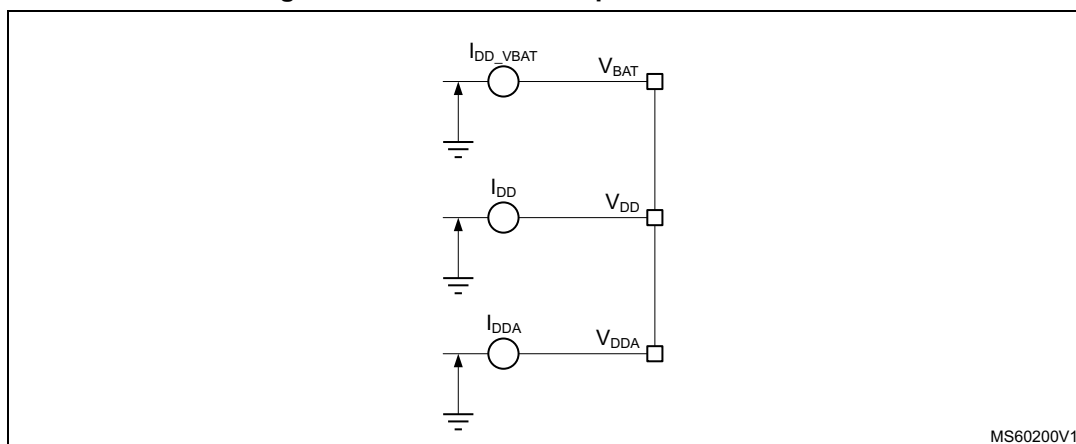
Figure 15. Power supply scheme



Caution: Each power supply pair (V_{DD}/V_{SS} , V_{DDA}/V_{SSA} etc.) must be decoupled with filtering ceramic capacitors as shown above. These capacitors must be placed as close as possible to, or below, the appropriate pins on the underside of the PCB to ensure the good functionality of the device.

5.1.7 Current consumption measurement

Figure 16. Current consumption measurement



The I_{DD_ALL} parameters given in [Table 21](#) to [Table 28](#) represent the total MCU consumption including the current supplying V_{DD} , V_{DDA} and V_{BAT} .

5.2 Absolute maximum ratings

Stresses above the absolute maximum ratings listed in [Table 14: Voltage characteristics](#), [Table 15: Current characteristics](#) and [Table 16: Thermal characteristics](#) may cause permanent damage to the device. These are stress ratings only and functional operation of the device at these conditions is not implied. Exposure to maximum rating conditions for extended periods may affect device reliability. Device mission profile (application conditions) is compliant with JEDEC JESD47 qualification standard, extended mission profiles are available on demand.

Table 14. Voltage characteristics⁽¹⁾

| Symbol | Ratings | Min | Max | Unit |
|--------------------|--|--------------|--|------|
| $V_{DD} - V_{SS}$ | External main supply voltage (including V_{DD} , V_{DDA} and V_{BAT}) | -0.3 | 4.0 | V |
| $V_{IN}^{(2)}$ | Input voltage on FT_XXX pins except FT_c pins | $V_{SS}-0.3$ | $\min(V_{DD}, V_{DDA}) + 4.0^{(3)(4)}$ | |
| | Input voltage on FT_c pins | $V_{SS}-0.3$ | 5.5 | |
| | Input voltage on TT_xx pins | $V_{SS}-0.3$ | 4.0 | |
| | Input voltage on any other pins | $V_{SS}-0.3$ | 4.0 | |
| $ \Delta V_{DDx} $ | Variations between different V_{DDx} power pins of the same domain | - | 50 | mV |
| $ V_{SSx}-V_{SS} $ | Variations between all the different ground pins ⁽⁵⁾ | - | 50 | |

- All main power (V_{DD} , V_{DDA} , V_{BAT}) and ground (V_{SS} , V_{SSA}) pins must always be connected to the external power supply, in the permitted range.
- V_{IN} maximum must always be respected. Refer to [Table 15: Current characteristics](#) for the maximum allowed injected current values.

3. This formula has to be applied only on the power supplies related to the IO structure described in the pin definition table.
4. To sustain a voltage higher than 4 V the internal pull-up/pull-down resistors must be disabled.
5. Include VREF- pin.

Table 15. Current characteristics

| Symbol | Ratings | Max | Unit |
|-----------------------|---|---------------------|------|
| $\sum I_{V_{DD}}$ | Total current into sum of all V_{DD} power lines (source) ⁽¹⁾ | 150 | mA |
| $\sum I_{V_{SS}}$ | Total current out of sum of all V_{SS} ground lines (sink) ⁽¹⁾ | 150 | |
| $I_{V_{DD}(PIN)}$ | Maximum current into each V_{DD} power pin (source) ⁽¹⁾ | 100 | |
| $I_{V_{SS}(PIN)}$ | Maximum current out of each V_{SS} ground pin (sink) ⁽¹⁾ | 100 | |
| $I_{IO(PIN)}$ | Output current sunk by any I/O and control pin except FT_f | 20 | |
| | Output current sunk by any FT_f pin | 20 | |
| | Output current sourced by any I/O and control pin | 20 | |
| $\sum I_{IO(PIN)}$ | Total output current sunk by sum of all I/Os and control pins ⁽²⁾ | 100 | |
| | Total output current sourced by sum of all I/Os and control pins ⁽²⁾ | 100 | |
| $I_{INJ(PIN)}^{(3)}$ | Injected current on FT_XXX, TT_XX, NRST pins | -5/0 ⁽⁴⁾ | |
| $\sum I_{INJ(PIN)} $ | Total injected current (sum of all I/Os and control pins) ⁽⁵⁾ | ±25 | |

1. All main power (V_{DD} , V_{DDA} , V_{BAT}) and ground (V_{SS} , V_{SSA}) pins must always be connected to the external power supplies, in the permitted range.
2. This current consumption must be correctly distributed over all I/Os and control pins. The total output current must not be sunk/sourced between two consecutive power supply pins referring to high pin count LQFP packages.
3. Positive injection (when $V_{IN} > V_{DD}$) is not possible on these I/Os and does not occur for input voltages lower than the specified maximum value.
4. A negative injection is induced by $V_{IN} < V_{SS}$. $I_{INJ(PIN)}$ must never be exceeded. Refer also to [Table 14: Voltage characteristics](#) for the minimum allowed input voltage values.
5. When several inputs are submitted to a current injection, the maximum $\sum |I_{INJ(PIN)}|$ is the absolute sum of the negative injected currents (instantaneous values).

Table 16. Thermal characteristics

| Symbol | Ratings | Value | Unit |
|-----------|------------------------------|-------------|------|
| T_{STG} | Storage temperature range | -65 to +150 | °C |
| T_J | Maximum junction temperature | 150 | °C |

5.3 Operating conditions

5.3.1 General operating conditions

Table 17. General operating conditions

| Symbol | Parameter | Conditions | Min | Max | Unit |
|--------------------|--|---|---------------------|--|------|
| f _{HCLK} | Internal AHB clock frequency | - | 0 | 170 | MHz |
| f _{PCLK1} | Internal APB1 clock frequency | - | 0 | 170 | |
| f _{PCLK2} | Internal APB2 clock frequency | - | 0 | 170 | |
| V _{DD} | Standard operating voltage | - | 1.71 ⁽¹⁾ | 3.6 | V |
| V _{DDA} | Analog supply voltage | ADC | 1.62 | 3.6 | V |
| | | DAC 1 MSPS or DAC 15 MSPS or OPAMP | 1.8 | | |
| | | COMP used | 1.8 | 3.6 | |
| | | VREFBUF used | 2.4 | 3.6 | |
| | | ADC, DAC, OPAMP, COMP, VREFBUF not used | 0 | | |
| V _{BAT} | Backup operating voltage | - | 1.55 | 3.6 | V |
| V _{IN} | I/O input voltage | TT_xx | -0.3 | V _{DD} +0.3 | V |
| | | FT_c | -0.3 | 5 | |
| | | All I/O except TT_xx and FT_c | -0.3 | MIN(MIN(V _{DD} , V _{DDA})+3.6 V, 5.5 V) ⁽²⁾⁽³⁾ | |
| P _D | Power dissipation | See Section 6.9: Thermal characteristics for application appropriate thermal resistance and package. Power dissipation is then calculated according ambient temperature (T _A) and maximum junction temperature (T _J) and selected thermal resistance. | | | mW |
| P _D | Power dissipation | See Section 6.9: Thermal characteristics for application appropriate thermal resistance and package. Power dissipation is then calculated according to ambient temperature (T _A), maximum junction temperature (T _J) and selected thermal resistance. | | | mW |
| T _A | Ambient temperature for the suffix 6 version | Maximum power dissipation | -40 | 85 | °C |
| | | Low-power dissipation ⁽⁴⁾ | -40 | 105 | |
| | Ambient temperature for the suffix 3 version | Maximum power dissipation | -40 | 125 | |
| | | Low-power dissipation ⁽⁴⁾ | -40 | 130 | |
| T _J | Junction temperature range | Suffix 6 version | -40 | 105 | °C |
| | | Suffix 3 version | -40 | 130 | |

1. When RESET is released functionality is guaranteed down to V_{BOR0} Min.
2. This formula has to be applied only on the power supplies related to the IO structure described by the pin definition table. Maximum I/O input voltage is the smallest value between MIN(V_{DD}, V_{DDA})+3.6 V and 5.5V.

3. For operation with voltage higher than $\text{Min}(V_{DD}, V_{DDA}) + 0.3 \text{ V}$, the internal Pull-up and Pull-Down resistors must be disabled.
4. In low-power dissipation state, T_A can be extended to this range as long as T_J does not exceed $T_{J\text{max}}$ (see [Section 6.9: Thermal characteristics](#)).

5.3.2 Operating conditions at power-up / power-down

The parameters given in [Table 18](#) are derived from tests performed under the ambient temperature condition summarized in [Table 17](#).

Table 18. Operating conditions at power-up / power-down

| Symbol | Parameter | Conditions | Min | Max | Unit |
|------------|--------------------------|------------|-----|----------|-----------------|
| t_{VDD} | V_{DD} rise time rate | - | 0 | ∞ | $\mu\text{s/V}$ |
| | V_{DD} fall time rate | | 10 | ∞ | |
| t_{VDDA} | V_{DDA} rise time rate | - | 0 | ∞ | $\mu\text{s/V}$ |
| | V_{DDA} fall time rate | | 10 | ∞ | |

5.3.3 Embedded reset and power control block characteristics

The parameters given in [Table 19](#) are derived from tests performed under the ambient temperature conditions summarized in [Table 17: General operating conditions](#).

Table 19. Embedded reset and power control block characteristics

| Symbol | Parameter | Conditions ⁽¹⁾ | Min | Typ | Max | Unit |
|----------------------|--|---------------------------|------|------|------|---------------|
| $t_{RSTTEMPO}^{(2)}$ | Reset temporization after BOR0 is detected | V_{DD} rising | - | 250 | 400 | μs |
| $V_{BOR0}^{(2)}$ | Brown-out reset threshold 0 | Rising edge | 1.62 | 1.66 | 1.7 | V |
| | | Falling edge | 1.6 | 1.64 | 1.69 | |
| V_{BOR1} | Brown-out reset threshold 1 | Rising edge | 2.06 | 2.1 | 2.14 | V |
| | | Falling edge | 1.96 | 2 | 2.04 | |
| V_{BOR2} | Brown-out reset threshold 2 | Rising edge | 2.26 | 2.31 | 2.35 | V |
| | | Falling edge | 2.16 | 2.20 | 2.24 | |
| V_{BOR3} | Brown-out reset threshold 3 | Rising edge | 2.56 | 2.61 | 2.66 | V |
| | | Falling edge | 2.47 | 2.52 | 2.57 | |
| V_{BOR4} | Brown-out reset threshold 4 | Rising edge | 2.85 | 2.90 | 2.95 | V |
| | | Falling edge | 2.76 | 2.81 | 2.86 | |
| V_{PVD0} | Programmable voltage detector threshold 0 | Rising edge | 2.1 | 2.15 | 2.19 | V |
| | | Falling edge | 2 | 2.05 | 2.1 | |
| V_{PVD1} | PVD threshold 1 | Rising edge | 2.26 | 2.31 | 2.36 | V |
| | | Falling edge | 2.15 | 2.20 | 2.25 | |
| V_{PVD2} | PVD threshold 2 | Rising edge | 2.41 | 2.46 | 2.51 | V |
| | | Falling edge | 2.31 | 2.36 | 2.41 | |
| V_{PVD3} | PVD threshold 3 | Rising edge | 2.56 | 2.61 | 2.66 | V |
| | | Falling edge | 2.47 | 2.52 | 2.57 | |

Table 19. Embedded reset and power control block characteristics (continued)

| Symbol | Parameter | Conditions ⁽¹⁾ | Min | Typ | Max | Unit |
|--|---|-------------------------------|------|------|------|------|
| V _{PVD4} | PVD threshold 4 | Rising edge | 2.69 | 2.74 | 2.79 | V |
| | | Falling edge | 2.59 | 2.64 | 2.69 | |
| V _{PVD5} | PVD threshold 5 | Rising edge | 2.85 | 2.91 | 2.96 | V |
| | | Falling edge | 2.75 | 2.81 | 2.86 | |
| V _{PVD6} | PVD threshold 6 | Rising edge | 2.92 | 2.98 | 3.04 | V |
| | | Falling edge | 2.84 | 2.90 | 2.96 | |
| V _{hyst_BORH0} | Hysteresis voltage of BORH0 | Hysteresis in continuous mode | - | 20 | - | mV |
| | | Hysteresis in other mode | - | 30 | - | |
| V _{hyst_BOR_PVD} | Hysteresis voltage of BORH (except BORH0) and PVD | - | - | 100 | - | mV |
| I _{DD} (BOR_PVD) ⁽²⁾ | BOR ⁽³⁾ (except BOR0) and PVD consumption from V _{DD} | - | - | 1.1 | 1.6 | μA |
| V _{PVM1} | V _{DDA} peripheral voltage monitoring (COMP/ADC) | Rising edge | 1.61 | 1.65 | 1.69 | V |
| | | Falling edge | 1.6 | 1.64 | 1.68 | |
| V _{PVM2} | V _{DDA} peripheral voltage monitoring (OPAMP/DAC) | Rising edge | 1.78 | 1.82 | 1.86 | V |
| | | Falling edge | 1.77 | 1.81 | 1.85 | |
| V _{hyst_PVM1} | PVM1 hysteresis | - | - | 10 | - | mV |
| V _{hyst_PVM2} | PVM2 hysteresis | - | - | 10 | - | mV |
| I _{DD} (PVM1/PVM2) ⁽²⁾ | PVM1 and PVM2 consumption from V _{DD} | - | - | 2 | - | μA |

1. Continuous mode means Run/Sleep modes, or temperature sensor enable in Low-power run/Low-power sleep modes.
2. Guaranteed by design.
3. BOR0 is enabled in all modes (except shutdown) and its consumption is therefore included in the supply current characteristics tables.

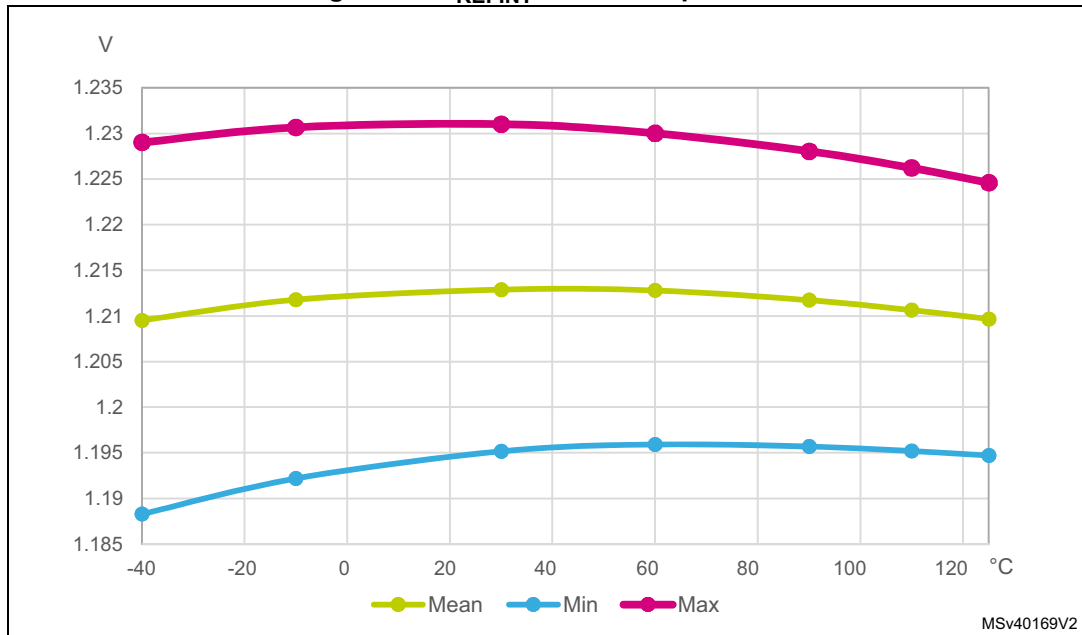
5.3.4 Embedded voltage reference

The parameters given in [Table 20](#) are derived from tests performed under the ambient temperature and supply voltage conditions summarized in [Table 17: General operating conditions](#).

Table 20. Embedded internal voltage reference

| Symbol | Parameter | Conditions | Min | Typ | Max | Unit |
|-------------------------|---|--|------------------|-------|---------------------|-------------------|
| V_{REFINT} | Internal reference voltage | $-40\text{ °C} < T_A < +130\text{ °C}$ | 1.182 | 1.212 | 1.232 | V |
| $t_{S_vrefint}^{(1)}$ | ADC sampling time when reading the internal reference voltage | - | 4 ⁽²⁾ | - | - | μs |
| $t_{start_vrefint}$ | Start time of reference voltage buffer when ADC is enable | - | - | 8 | 12 ⁽²⁾ | μs |
| $I_{DD}(V_{REFINTBUF})$ | V_{REFINT} buffer consumption from V_{DD} when converted by ADC | - | - | 12.5 | 20 ⁽²⁾ | μA |
| ΔV_{REFINT} | Internal reference voltage spread over the temperature range | $V_{DD} = 3\text{ V}$ | - | 5 | 7.5 ⁽²⁾ | mV |
| T_{Coeff} | Average temperature coefficient | $-40\text{ °C} < T_A < +130\text{ °C}$ | - | 30 | 50 ⁽²⁾ | ppm/°C |
| A_{Coeff} | Long term stability | 1000 hours, $T = 25\text{ °C}$ | - | 300 | 1000 ⁽²⁾ | ppm |
| $V_{DDCoeff}$ | Average voltage coefficient | $3.0\text{ V} < V_{DD} < 3.6\text{ V}$ | - | 250 | 1200 ⁽²⁾ | ppm/V |
| V_{REFINT_DIV1} | 1/4 reference voltage | - | 24 | 25 | 26 | % V_{REFINT} |
| V_{REFINT_DIV2} | 1/2 reference voltage | | 49 | 50 | 51 | |
| V_{REFINT_DIV3} | 3/4 reference voltage | | 74 | 75 | 76 | |

1. The shortest sampling time is determined in the application by multiple iterations.
2. Guaranteed by design.

Figure 17. V_{REFINT} versus temperature

5.3.5 Supply current characteristics

The current consumption is a function of several parameters and factors such as the operating voltage, ambient temperature, I/O pin loading, device software configuration, operating frequencies, I/O pin switching rate, program location in memory and executed binary code

The current consumption is measured as described in [Figure 16: Current consumption measurement](#).

Typical and maximum current consumption

The MCU is placed under the following conditions:

- All I/O pins are in analog input mode
- All peripherals are disabled except when explicitly mentioned
- The Flash memory access time is adjusted with the minimum wait states number, depending on the f_{HCLK} frequency (refer to the table “number of wait states according to CPU clock (HCLK) frequency” available in the reference manual RM0440 “STM32G4 Series advanced Arm[®]-based 32-bit MCUs”).
- When the peripherals are enabled $f_{PCLK} = f_{HCLK}$
- The voltage scaling Range 1 is adjusted to f_{HCLK} frequency as follows:
 - Voltage Range 1 Boost mode for $150 \text{ MHz} < f_{HCLK} \leq 170 \text{ MHz}$
 - Voltage Range 1 Normal mode for $26 \text{ MHz} < f_{HCLK} \leq 150 \text{ MHz}$

The parameters given in [Table 21](#) to [Table 28](#) are derived from tests performed under ambient temperature and supply voltage conditions summarized in [Table 17: General operating conditions](#).

Table 21. Current consumption in Run and Low-power run modes, code with data processing running from Flash in single Bank, ART enable (Cache ON Prefetch OFF)

| Symbol | Parameter | Condition | | f _{HCLK} | Typ | | | | | Max | | | | | Unit |
|-----------|----------------------------|---|--------------------|-------------------|-------|-------|------|-------|-------|-------|-------|-------|-------|-------|------|
| | | - | Voltage scaling | | 25°C | 55°C | 85°C | 105°C | 125°C | 25°C | 55°C | 85°C | 105°C | 125°C | |
| IDD (Run) | Supply current in Run mode | f _{HCLK} = f _{HSE} up to 48 MHz included, bypass mode PLL ON above 48 MHz all peripherals disable | Range 2 | 26 MHz | 3.65 | 3.85 | 4.45 | 5.1 | 6.45 | 4.00 | 4.50 | 6.50 | 8.40 | 13.00 | mA |
| | | | | 16 MHz | 2.30 | 2.55 | 3.1 | 3.8 | 5.15 | 2.60 | 3.20 | 5.20 | 7.10 | 11.00 | |
| | | | | 8 MHz | 1.25 | 1.5 | 2.05 | 2.8 | 4.1 | 1.60 | 2.10 | 4.10 | 6.00 | 9.80 | |
| | | | | 4 MHz | 0.75 | 0.955 | 1.5 | 2.3 | 3.6 | 0.94 | 1.50 | 3.50 | 5.40 | 9.30 | |
| | | | | 2 MHz | 0.47 | 0.69 | 1.25 | 2 | 3.35 | 0.65 | 1.30 | 3.20 | 5.10 | 9.00 | |
| | | | | 1 MHz | 0.34 | 0.55 | 1.1 | 1.9 | 3.2 | 0.51 | 1.10 | 3.00 | 5.00 | 8.90 | |
| | | | | 100 KHz | 0.22 | 0.43 | 0.98 | 1.75 | 3.1 | 0.38 | 0.94 | 2.90 | 4.80 | 8.70 | |
| | | | Range 1 Boost mode | 170 MHz | 29.50 | 29.5 | 31 | 32 | 34.5 | 30.00 | 30.00 | 34.00 | 36.00 | 42.00 | |
| | | | Range 1 | 150 MHz | 24.50 | 26 | 27 | 28 | 30 | 25.00 | 27.00 | 29.00 | 32.00 | 37.00 | |
| | | | | 120 MHz | 19.50 | 20 | 20.5 | 21.5 | 23.5 | 20.00 | 21.00 | 23.00 | 25.00 | 31.00 | |
| | | | | 80 MHz | 13.00 | 13.5 | 14 | 15.5 | 17 | 14.00 | 14.00 | 16.00 | 19.00 | 24.00 | |
| | | | | 72 MHz | 12.00 | 12 | 13 | 14 | 15.5 | 13.00 | 13.00 | 16.00 | 18.00 | 23.00 | |
| | | | | 64 MHz | 10.50 | 11 | 11.5 | 12.5 | 14.5 | 11.00 | 12.00 | 14.00 | 16.00 | 22.00 | |
| | | | | 48 MHz | 7.90 | 8.2 | 9 | 9.7 | 11.5 | 8.40 | 9.00 | 12.00 | 14.00 | 20.00 | |
| | | | | 32 MHz | 5.40 | 5.65 | 6.4 | 7.2 | 8.85 | 5.80 | 6.50 | 9.00 | 12.00 | 17.00 | |
| | | | | 24 MHz | 4.10 | 4.35 | 5.1 | 5.95 | 7.6 | 4.50 | 5.20 | 7.80 | 11.00 | 16.00 | |
| | | | 16 MHz | 2.80 | 3.1 | 3.8 | 4.7 | 6.3 | 3.20 | 3.90 | 6.50 | 8.90 | 14.00 | | |



Table 21. Current consumption in Run and Low-power run modes, code with data processing running from Flash in single Bank, ART enable (Cache ON Prefetch OFF) (continued)

| Symbol | Parameter | Condition | | f _{HCLK} | Typ | | | | | Max | | | | | Unit |
|-------------|--------------------------------------|--|-----------------|-------------------|------|------|------|-------|-------|------|------|------|-------|-------|------|
| | | - | Voltage scaling | | 25°C | 55°C | 85°C | 105°C | 125°C | 25°C | 55°C | 85°C | 105°C | 125°C | |
| IDD (LPRun) | Supply current in Low-power run mode | SYSCLK source is HSE in bypass mode all peripherals disable | | 2 MHz | 455 | 725 | 1350 | 2250 | 3800 | 720 | 1500 | 3700 | 6000 | 11000 | μA |
| | | | | 1 MHz | 280 | 545 | 1200 | 2100 | 3600 | 570 | 1300 | 3500 | 5800 | 11000 | |
| | | | | 250 KHz | 160 | 435 | 1100 | 2000 | 3500 | 410 | 1100 | 3400 | 5700 | 10000 | |
| | | | | 62.5 KHz | 130 | 405 | 1050 | 1950 | 3500 | 390 | 1000 | 3400 | 5600 | 11000 | |
| | | SYSCLK source is HSI16 all peripherals disable | | 2 MHz | 920 | 1200 | 1850 | 2750 | 4250 | 1300 | 2000 | 4200 | 6600 | 11000 | |
| | | | | 1 MHz | 780 | 1100 | 1700 | 2650 | 4150 | 1200 | 1900 | 4100 | 6500 | 11000 | |
| | | | | 250 KHz | 725 | 980 | 1600 | 2500 | 4050 | 1100 | 1800 | 4100 | 6400 | 11000 | |
| | | | | 62.5 KHz | 720 | 955 | 1600 | 2500 | 4000 | 1100 | 1700 | 4000 | 6300 | 11000 | |

Table 22. Current consumption in Run and Low-power run modes, code with data processing running from Flash in dual bank, ART enable (Cache ON Prefetch OFF)

| Symbol | Parameter | Conditions | | f _{HCLK} | TYP | | | | | MAX ⁽¹⁾ | | | | | Unit |
|--------------|----------------------------|--|--------------------|-------------------|-------|------|-------|-------|-------|--------------------|-------|-------|-------|-------|------|
| | | - | Voltage scaling | | 25°C | 55°C | 85°C | 105°C | 125°C | 25°C | 55°C | 85°C | 105°C | 125°C | |
| IDD (Run) | Supply current in Run mode | f _{HCLK} = f _{HSE} up to 48MHz included, bypass mode PLL ON above 48 MHz all peripherals disable | Range 2 | 26 MHz | 3.70 | 3.9 | 4.45 | 5.15 | 6.45 | 4.10 | 4.60 | 6.50 | 8.50 | 13.00 | mA |
| | | | | 16 MHz | 2.35 | 2.55 | 3.1 | 3.85 | 5.15 | 2.70 | 3.20 | 5.20 | 7.10 | 11.00 | |
| | | | | 8 MHz | 1.25 | 1.5 | 2.05 | 2.8 | 4.15 | 1.60 | 2.10 | 4.10 | 6.00 | 9.90 | |
| | | | | 4 MHz | 0.75 | 0.97 | 1.5 | 2.3 | 3.6 | 0.94 | 1.60 | 3.50 | 5.40 | 9.30 | |
| | | | | 2 MHz | 0.47 | 0.7 | 1.25 | 2.05 | 3.35 | 0.65 | 1.30 | 3.20 | 5.10 | 9.00 | |
| | | | | 1 MHz | 0.34 | 0.56 | 1.1 | 1.9 | 3.2 | 0.51 | 1.10 | 3.00 | 5.00 | 8.90 | |
| | | | | 100 KHz | 0.22 | 0.44 | 0.975 | 1.8 | 3.1 | 0.38 | 0.95 | 2.90 | 4.80 | 8.70 | |
| | | | Range 1 Boost mode | 170 MHz | 29.50 | 30 | 31 | 32 | 34.5 | 30.00 | 31.00 | 34.00 | 36.00 | 42.00 | |
| | | | Range 1 | 150 MHz | 24.50 | 24.5 | 25.5 | 26.5 | 28.5 | 25.00 | 26.00 | 28.00 | 30.00 | 35.00 | |
| | | | | 120 MHz | 19.50 | 20 | 20.5 | 22 | 23.5 | 20.00 | 21.00 | 23.00 | 26.00 | 31.00 | |
| | | | | 80 MHz | 13.00 | 13.5 | 14.5 | 15.5 | 17 | 14.00 | 14.00 | 17.00 | 19.00 | 24.00 | |
| | | | | 72 MHz | 12.00 | 12.5 | 13 | 14 | 15.5 | 13.00 | 13.00 | 16.00 | 18.00 | 23.00 | |
| | | | | 64 MHz | 10.50 | 11 | 11.5 | 13 | 14.5 | 11.00 | 12.00 | 14.00 | 17.00 | 22.00 | |
| | | | | 48 MHz | 7.95 | 8.3 | 9 | 10 | 11.5 | 8.50 | 9.10 | 12.00 | 15.00 | 20.00 | |
| | | | | 32 MHz | 5.40 | 5.7 | 6.45 | 7.25 | 8.9 | 5.80 | 6.50 | 9.10 | 12.00 | 17.00 | |
| 24 MHz | 4.10 | 4.4 | | 5.1 | 6 | 7.65 | 4.50 | 5.30 | 7.80 | 11.00 | 16.00 | | | | |
| 16 MHz | 2.85 | 3.15 | 3.8 | 4.75 | 6.35 | 3.20 | 4.00 | 6.50 | 8.90 | 14.00 | | | | | |



Table 22. Current consumption in Run and Low-power run modes, code with data processing running from Flash in dual bank, ART enable (Cache ON Prefetch OFF) (continued)

| Symbol | Parameter | Conditions | | fHCLK | TYP | | | | | MAX ⁽¹⁾ | | | | | Unit |
|----------------|--------------------------------------|--|-----------------|----------|------|------|------|-------|-------|--------------------|------|------|-------|-------|------|
| | | - | Voltage scaling | | 25°C | 55°C | 85°C | 105°C | 125°C | 25°C | 55°C | 85°C | 105°C | 125°C | |
| IDD (LPRun) | Supply current in Low-power run mode | SYSCLK source is HSE in bypass mode all peripherals disable | | 2 MHz | 450 | 725 | 1350 | 2250 | 3800 | 725 | 1500 | 3700 | 6000 | 11000 | μA |
| | | | | 1 MHz | 270 | 575 | 1200 | 2150 | 3650 | 575 | 1300 | 3500 | 5800 | 11000 | |
| | | | | 250 KHz | 185 | 460 | 1050 | 2000 | 3550 | 460 | 1100 | 3400 | 5700 | 11000 | |
| | | | | 62.5 KHz | 130 | 430 | 1050 | 2000 | 3500 | 430 | 1100 | 3400 | 5600 | 11000 | |
| | | SYSCLK source is HSI16 all peripherals disable | | 2 MHz | 970 | 1200 | 1850 | 2750 | 4300 | 1200 | 2000 | 4200 | 6600 | 12000 | |
| | | | | 1 MHz | 800 | 1100 | 1700 | 2650 | 4150 | 1100 | 1900 | 4100 | 6500 | 11000 | |
| | | | | 250 KHz | 680 | 990 | 1600 | 2550 | 4050 | 990 | 1800 | 4100 | 6400 | 11000 | |
| | | | | 62.5 KHz | 695 | 965 | 1600 | 2500 | 4050 | 965 | 1700 | 4000 | 6400 | 11000 | |

1. Guaranteed by characterization results, unless otherwise specified.

Table 23. Current consumption in Run and Low-power run modes, code with data processing running from Flash in single bank, ART disable

| Symbol | Parameter | Condition | | f _{HCLK} | Typ | | | | | Max | | | | | Unit |
|-----------|----------------------------|---|--------------------|-------------------|-------|------|-------|-------|-------|-------|-------|-------|-------|-------|------|
| | | - | Voltage scaling | | 25°C | 55°C | 85°C | 105°C | 125°C | 25°C | 55°C | 85°C | 105°C | 125°C | |
| IDD (Run) | Supply current in Run mode | f _{HCLK} = f _{HSE} up to 48 MHz included, bypass mode PLL ON above 48 MHz all peripherals disable | Range 2 | 26 MHz | 3.65 | 3.85 | 4.4 | 5.25 | 6.8 | 4.00 | 4.60 | 6.50 | 8.40 | 13.00 | mA |
| | | | | 16 MHz | 2.75 | 2.95 | 3.5 | 4.35 | 5.9 | 3.10 | 3.70 | 5.50 | 7.50 | 12.00 | |
| | | | | 8 MHz | 1.50 | 1.65 | 2.2 | 3.05 | 4.55 | 1.70 | 2.40 | 4.20 | 6.10 | 10.00 | |
| | | | | 4 MHz | 0.84 | 1 | 1.55 | 2.35 | 3.9 | 1.10 | 1.70 | 3.60 | 5.50 | 9.30 | |
| | | | | 2 MHz | 0.51 | 0.68 | 1.2 | 2.05 | 3.55 | 0.70 | 1.40 | 3.20 | 5.10 | 9.00 | |
| | | | | 1 MHz | 0.34 | 0.51 | 1.05 | 1.85 | 3.35 | 0.53 | 1.20 | 3.10 | 4.90 | 8.80 | |
| | | | | 100 KHz | 0.20 | 0.36 | 0.895 | 1.7 | 3.2 | 0.38 | 0.99 | 2.90 | 4.80 | 8.70 | |
| | | | Range 1 Boost mode | 170 MHz | 20.00 | 20.5 | 21.5 | 22.5 | 24.5 | 21.00 | 22.00 | 25.00 | 27.00 | 47.00 | |
| | | | Range 1 | 150 MHz | 18.00 | 18.5 | 19 | 20 | 22 | 19.00 | 16.00 | 19.00 | 21.00 | 26.00 | |
| | | | | 120 MHz | 16.50 | 16.5 | 17.5 | 18.5 | 20.5 | 18.00 | 18.00 | 21.00 | 23.00 | 28.00 | |
| | | | | 80 MHz | 13.00 | 13 | 14 | 15 | 17 | 14.00 | 15.00 | 17.00 | 19.00 | 24.00 | |
| | | | | 72 MHz | 11.50 | 12 | 12.5 | 13.5 | 15.5 | 13.00 | 13.00 | 16.00 | 18.00 | 23.00 | |
| | | | | 64 MHz | 10.50 | 10.5 | 11.5 | 12.5 | 14.5 | 11.00 | 12.00 | 14.00 | 17.00 | 22.00 | |
| | | | | 48 MHz | 7.95 | 8.25 | 9 | 10 | 12 | 8.30 | 8.90 | 12.00 | 14.00 | 19.00 | |
| | | | | 32 MHz | 6.50 | 6.75 | 7.5 | 8.55 | 10.5 | 8.10 | 8.70 | 11.00 | 13.00 | 19.00 | |
| 24 MHz | 4.95 | 5.2 | | 5.9 | 6.95 | 8.8 | 5.10 | 6.00 | 8.50 | 11.00 | 16.00 | | | | |
| 16 MHz | 3.40 | 3.65 | 4.3 | 5.35 | 7.15 | 3.70 | 4.50 | 7.00 | 9.40 | 15.00 | | | | | |



Table 23. Current consumption in Run and Low-power run modes, code with data processing running from Flash in single bank, ART disable (continued)

| Symbol | Parameter | Condition | | f_{HCLK} | Typ | | | | | Max | | | | | Unit |
|-------------|--------------------------------------|--|-----------------|------------|------|------|------|-------|-------|------|------|------|-------|-------|------|
| | | - | Voltage scaling | | 25°C | 55°C | 85°C | 105°C | 125°C | 25°C | 55°C | 85°C | 105°C | 125°C | |
| IDD (LPRun) | Supply current in Low-power run mode | SYSCLK source is HSE in bypass mode all peripherals disable | | 2 MHz | 505 | 700 | 1300 | 2250 | 3950 | 780 | 1500 | 3800 | 6000 | 11000 | μA |
| | | | | 1 MHz | 295 | 500 | 1100 | 2050 | 3750 | 540 | 1300 | 3600 | 5900 | 11000 | |
| | | | | 250 KHz | 145 | 350 | 970 | 1900 | 3600 | 410 | 1100 | 3400 | 5700 | 11000 | |
| | | | | 62.5 KHz | 110 | 310 | 935 | 1850 | 3550 | 380 | 1100 | 3400 | 5700 | 11000 | |
| | | SYSCLK source is HS116 all peripherals disable | | 2 MHz | 940 | 1150 | 1800 | 2700 | 4400 | 1300 | 2100 | 4400 | 6600 | 11000 | |
| | | | | 1 MHz | 830 | 1000 | 1600 | 2550 | 4250 | 1200 | 1900 | 4300 | 6500 | 11000 | |
| | | | | 250 KHz | 700 | 890 | 1500 | 2400 | 4100 | 1000 | 1800 | 4100 | 6400 | 11000 | |
| | | | | 62.5 KHz | 645 | 855 | 1450 | 2400 | 4100 | 1100 | 1800 | 4100 | 6400 | 11000 | |

Table 24. Current consumption in Run and Low-power run modes, code with data processing running from Flash in dual bank, ART disable

| Symbol | Parameter | Conditions | | f _{HCLK} | TYP | | | | | MAX ⁽¹⁾ | | | | | Unit |
|--------------|----------------------------|--|--------------------|-------------------|-------|-------|-------|-------|-------|--------------------|-------|-------|-------|-------|------|
| | | - | Voltage scaling | | 25°C | 55°C | 85°C | 105°C | 125°C | 25°C | 55°C | 85°C | 105°C | 125°C | |
| IDD (Run) | Supply current in Run mode | f _{HCLK} = f _{HSE} up to 48MHz included, bypass mode PLL ON above 48 MHz all peripherals disable | Range 2 | 26 MHz | 3.35 | 3.5 | 4.1 | 4.95 | 6.45 | 3.70 | 4.20 | 6.20 | 8.10 | 12.00 | mA |
| | | | | 16 MHz | 2.65 | 2.8 | 3.4 | 4.2 | 5.75 | 3.00 | 3.50 | 5.40 | 7.40 | 12.00 | |
| | | | | 8 MHz | 1.40 | 1.6 | 2.15 | 2.95 | 4.45 | 1.70 | 2.30 | 4.20 | 6.10 | 10.00 | |
| | | | | 4 MHz | 0.81 | 0.975 | 1.5 | 2.35 | 3.85 | 1.10 | 1.60 | 3.60 | 5.50 | 9.30 | |
| | | | | 2 MHz | 0.49 | 0.655 | 1.2 | 2 | 3.5 | 0.69 | 1.30 | 3.20 | 5.10 | 9.00 | |
| | | | | 1 MHz | 0.34 | 0.495 | 1.05 | 1.85 | 3.35 | 0.53 | 1.10 | 3.10 | 5.00 | 8.80 | |
| | | | | 100 KHz | 0.19 | 0.355 | 0.895 | 1.7 | 3.2 | 0.38 | 0.95 | 2.90 | 4.80 | 8.70 | |
| | | | Range 1 Boost mode | 170 MHz | 18.00 | 18 | 19 | 20 | 22 | 19.00 | 20.00 | 22.00 | 25.00 | 45.00 | |
| | | | Range 1 | 150 MHz | 16.00 | 16.5 | 17 | 18 | 20 | 17.00 | 18.00 | 20.00 | 22.00 | 27.00 | |
| | | | | 120 MHz | 14.50 | 15 | 15.5 | 16.5 | 18.5 | 16.00 | 16.00 | 18.00 | 21.00 | 26.00 | |
| | | | | 80 MHz | 12.00 | 12 | 13 | 14 | 15.5 | 13.00 | 13.00 | 16.00 | 18.00 | 23.00 | |
| | | | | 72 MHz | 10.50 | 11 | 11.5 | 12.5 | 14.5 | 12.00 | 12.00 | 15.00 | 17.00 | 22.00 | |
| | | | | 64 MHz | 9.45 | 9.7 | 10.5 | 11.5 | 13.5 | 9.90 | 11.00 | 13.00 | 16.00 | 21.00 | |
| | | | | 48 MHz | 7.25 | 7.55 | 8.25 | 9.3 | 11 | 7.50 | 8.20 | 11.00 | 14.00 | 18.00 | |
| | | | | 32 MHz | 6.15 | 6.4 | 7.1 | 8.15 | 10 | 6.60 | 7.30 | 9.80 | 13.00 | 18.00 | |
| | | | | 24 MHz | 4.70 | 4.95 | 5.65 | 6.65 | 8.5 | 5.10 | 5.80 | 8.30 | 11.00 | 16.00 | |
| | | | 16 MHz | 3.20 | 3.45 | 4.15 | 5.15 | 6.95 | 3.60 | 4.40 | 6.80 | 9.30 | 15.00 | | |



**Table 24. Current consumption in Run and Low-power run modes,
code with data processing running from Flash in dual bank, ART disable (continued)**

| Symbol | Parameter | Conditions | | fHCLK | TYP | | | | | MAX ⁽¹⁾ | | | | | Unit |
|----------------|--------------------------------------|--|-----------------|----------|------|------|------|-------|-------|--------------------|------|------|-------|-------|------|
| | | - | Voltage scaling | | 25°C | 55°C | 85°C | 105°C | 125°C | 25°C | 55°C | 85°C | 105°C | 125°C | |
| IDD (LPRun) | Supply current in Low-power run mode | SYSCLK source is HSE in bypass mode all peripherals disable | | 2 MHz | 480 | 665 | 1300 | 2200 | 3900 | 710 | 1400 | 3800 | 6000 | 11000 | μA |
| | | | | 1 MHz | 270 | 485 | 1100 | 2050 | 3750 | 540 | 1200 | 3600 | 5900 | 11000 | |
| | | | | 250 KHz | 145 | 340 | 965 | 1900 | 3600 | 410 | 1100 | 3400 | 5700 | 11000 | |
| | | | | 62.5 KHz | 120 | 310 | 930 | 1850 | 3550 | 380 | 1100 | 3400 | 5700 | 11000 | |
| | | SYSCLK source is HSI16 all peripherals disable | | 2 MHz | 990 | 1150 | 1750 | 2700 | 4350 | 1300 | 2000 | 4400 | 6600 | 11000 | |
| | | | | 1 MHz | 830 | 995 | 1600 | 2550 | 4200 | 1200 | 1900 | 4300 | 6500 | 11000 | |
| | | | | 250 KHz | 720 | 880 | 1500 | 2400 | 4100 | 1100 | 1700 | 4100 | 6400 | 11000 | |
| | | | | 62.5 KHz | 660 | 845 | 1450 | 2400 | 4050 | 1100 | 1700 | 4100 | 6400 | 11000 | |

1. Guaranteed by characterization results, unless otherwise specified.

Table 25. Current consumption in Run and Low-power run modes, code with data processing running from SRAM1

| Symbol | Parameter | Conditions | | f _{HCLK} | TYP | | | | | MAX ⁽¹⁾ | | | | | Unit |
|----------|----------------------------|--|--------------------|-------------------|-------|-------|------|-------|-------|--------------------|-------|-------|-------|----------------------|------|
| | | - | Voltage scaling | | 25°C | 55°C | 85°C | 105°C | 125°C | 25°C | 55°C | 85°C | 105°C | 125°C | |
| IDD(Run) | Supply current in Run mode | f _{HCLK} = f _{HSE} up to 48MHz included, bypass mode PLL ON above 48 MHz all peripherals disable | Range 2 | 26 MHz | 3.35 | 3.55 | 4.1 | 4.95 | 6.45 | 3.70 | 4.30 | 6.20 | 8.10 | 12.00 | mA |
| | | | | 16 MHz | 2.15 | 2.35 | 2.9 | 3.7 | 5.25 | 2.50 | 3.00 | 4.90 | 6.90 | 11.00 | |
| | | | | 8 MHz | 1.15 | 1.35 | 1.9 | 2.7 | 4.2 | 1.40 | 2.00 | 3.90 | 5.90 | 9.70 | |
| | | | | 4 MHz | 0.69 | 0.855 | 1.4 | 2.2 | 3.7 | 0.89 | 1.50 | 3.40 | 5.30 | 9.20 | |
| | | | | 2 MHz | 0.43 | 0.595 | 1.15 | 1.95 | 3.45 | 0.63 | 1.20 | 3.10 | 5.10 | 8.90 | |
| | | | | 1 MHz | 0.30 | 0.47 | 1 | 1.8 | 3.3 | 0.50 | 1.10 | 3.00 | 4.90 | 8.80 | |
| | | | | 100 KHz | 0.19 | 0.355 | 0.89 | 1.7 | 3.2 | 0.38 | 0.94 | 2.90 | 4.80 | 8.70 | |
| | | | Range 1 Boost mode | 170 MHz | 26.00 | 26.5 | 27.5 | 28.5 | 30.5 | 28.00 | 28.00 | 30.00 | 33.00 | 38.00 ⁽²⁾ | |
| | | | Range 1 | 150 MHz | 21.50 | 22 | 22.5 | 23.5 | 25.5 | 23.00 | 23.00 | 25.00 | 28.00 | 33.00 ⁽²⁾ | |
| | | | | 120 MHz | 17.50 | 17.5 | 18.5 | 19.5 | 21.5 | 19.00 | 19.00 | 21.00 | 24.00 | 28.00 | |
| | | | | 80 MHz | 11.50 | 12 | 12.5 | 13.5 | 15.5 | 13.00 | 13.00 | 16.00 | 18.00 | 23.00 | |
| | | | | 72 MHz | 10.50 | 11 | 11.5 | 12.5 | 14.5 | 12.00 | 12.00 | 14.00 | 17.00 | 22.00 | |
| | | | | 64 MHz | 9.45 | 9.7 | 10.5 | 11.5 | 13.5 | 9.90 | 11.00 | 13.00 | 16.00 | 21.00 | |
| | | | | 48 MHz | 7.25 | 7.5 | 8.2 | 9.25 | 11 | 7.60 | 8.20 | 11.00 | 14.00 | 18.00 | |
| | | | | 32 MHz | 4.90 | 5.15 | 5.85 | 6.9 | 8.7 | 5.40 | 6.10 | 8.60 | 11.00 | 16.00 | |
| | | | | 24 MHz | 3.75 | 4 | 4.7 | 5.7 | 7.5 | 4.20 | 4.90 | 7.40 | 9.80 | 15.00 | |
| | | | 16 MHz | 2.60 | 2.85 | 3.5 | 4.5 | 6.3 | 3.00 | 3.70 | 6.20 | 8.60 | 14.00 | | |



Table 25. Current consumption in Run and Low-power run modes, code with data processing running from SRAM1 (continued)

| Symbol | Parameter | Conditions | | fHCLK | TYP | | | | | MAX ⁽¹⁾ | | | | | Unit |
|----------------|--------------------------------------|---|-----------------|----------|------|------|------|-------|-------|--------------------|------|------|-------|-------|------|
| | | - | Voltage scaling | | 25°C | 55°C | 85°C | 105°C | 125°C | 25°C | 55°C | 85°C | 105°C | 125°C | |
| IDD (LPRun) | Supply current in Low-power run mode | SYSCLK source is HSE in bypass mode all peripherals disable | | 2 MHz | 365 | 570 | 1200 | 2150 | 3850 | 640 | 1400 | 3700 | 6000 | 11000 | μA |
| | | | | 1 MHz | 240 | 425 | 1050 | 2000 | 3650 | 500 | 1200 | 3500 | 5800 | 11000 | |
| | | | | 250 KHz | 135 | 315 | 945 | 1850 | 3550 | 390 | 1100 | 3400 | 5700 | 11000 | |
| | | | | 62.5 KHz | 105 | 285 | 915 | 1850 | 3550 | 350 | 990 | 3300 | 5600 | 11000 | |
| | | SYSCLK source is HSI16 all peripherals disable | | 2 MHz | 835 | 1050 | 1650 | 2600 | 4300 | 1300 | 1900 | 4300 | 6600 | 11000 | |
| | | | | 1 MHz | 775 | 940 | 1550 | 2500 | 4150 | 1200 | 1800 | 4200 | 6400 | 11000 | |
| | | | | 250 KHz | 640 | 860 | 1450 | 2400 | 4100 | 1100 | 1700 | 4100 | 6400 | 11000 | |
| | | | | 62.5 KHz | 640 | 830 | 1450 | 2350 | 4050 | 1100 | 1700 | 4100 | 6300 | 11000 | |

1. Guaranteed by characterization results, unless otherwise specified.
2. Guaranteed by test in production.

Table 26. Typical current consumption in Run and Low-power run modes, with different codes running from Flash, ART enable (Cache ON Prefetch OFF)

| Symbol | Parameter | Conditions | | Code | TYP | TYP | Unit | TYP | TYP | Unit | |
|--------------|----------------------------|--|---|-----------------------------|------------------|----------------|------|------------------|----------------|--------------------------|--|
| | | - | Voltage scaling | | Single Bank Mode | Dual Bank Mode | | Single Bank Mode | Dual Bank Mode | | |
| | | | | | | 25°C | 25°C | 25°C | 25°C | | |
| IDD (Run) | Supply current in Run mode | $f_{HCLK}=f_{HSE}$ up to 48 MHz included, bypass mode PLL ON above 48 MHz all peripherals disable | Range2 $f_{HCLK}=26\text{MHz}$ | Reduced code ⁽¹⁾ | 3.65 | 3.7 | mA | 140 | 142 | $\mu\text{A}/\text{MHz}$ | |
| | | | | Coremark | 3.65 | 3.7 | | 140 | 142 | | |
| | | | | Dhrystone2.1 | 3.65 | 3.7 | | 140 | 142 | | |
| | | | | Fibonacci | 4.55 | 4.2 | | 175 | 162 | | |
| | | | | While(1) | 2.90 | 3 | | 112 | 115 | | |
| | | | Range 1 $f_{HCLK}=150\text{MHz}$ | Reduced code ⁽¹⁾ | 24.5 | 24.5 | mA | 163 | 163 | $\mu\text{A}/\text{MHz}$ | |
| | | | | Coremark | 24 | 24 | | 160 | 160 | | |
| | | | | Dhrystone2.1 | 24.5 | 24.5 | | 163 | 163 | | |
| | | | | Fibonacci | 22.5 | 28 | | 150 | 187 | | |
| | | | | While(1) | 19.5 | 20 | | 130 | 133 | | |
| | | | Range 1 Boost mode $f_{HCLK}=170\text{MHz}$ | Reduced code ⁽¹⁾ | 29.5 | 29.5 | mA | 174 | 174 | $\mu\text{A}/\text{MHz}$ | |
| | | | | Coremark | 29 | 29 | | 171 | 171 | | |
| | | | | Dhrystone2.1 | 29.5 | 29.5 | | 174 | 174 | | |
| | | | | Fibonacci | 38 | 35 | | 224 | 206 | | |
| | | | | While(1) | 23.5 | 24 | | 138 | 141 | | |



Table 26. Typical current consumption in Run and Low-power run modes, with different codes running from Flash, ART enable (Cache ON Prefetch OFF) (continued)

| Symbol | Parameter | Conditions | | Code | TYP | TYP | Unit | TYP | TYP | Unit |
|----------------------------|---------------------------------|--|-----------------|-----------------------------|------------------|----------------|------|------------------|----------------|--------|
| | | - | Voltage scaling | | Single Bank Mode | Dual Bank Mode | | Single Bank Mode | Dual Bank Mode | |
| | | | | | 25°C | 25°C | | 25°C | 25°C | |
| I _{DD} (LPRun) | Supply current in Low-power run | SYSCLK source is HSI16 f _{HCLK} = 2 MHz all peripherals disable | | Reduced code ⁽¹⁾ | 920 | 970 | μA | 460 | 485 | μA/MHz |
| | | | | Coremark | 905 | 985 | | 453 | 493 | |
| | | | | Dhrystone2.1 | 915 | 915 | | 458 | 458 | |
| | | | | Fibonacci | 1,050 | 950 | | 525 | 475 | |
| | | | | While(1) | 930 | 875 | | 465 | 438 | |

1. Reduced code used for characterization results provided in [Table 21](#), [Table 23](#), [Table 25](#).

Table 27. Typical current consumption in Run and Low-power run modes, with different codes running from Flash, ART disable

| Symbol | Parameter | Conditions | | Code | TYP Single Bank Mode | TYP Dual Bank Mode | Unit | TYP Single Bank Mode | TYP Dual Bank Mode | Unit |
|-----------------------|----------------------------|---|--|-----------------------------|----------------------------|--------------------------|------|----------------------------|--------------------------|--------|
| | | - | Voltage scaling | | 25°C | 25°C | | 25°C | 25°C | |
| I _{DD} (Run) | Supply current in Run mode | f _{HCLK} = f _{HSE} up to 48 MHz included, bypass mode PLL ON above 48 MHz all peripherals disable | Range 2 f _{HCLK} = 26 MHz | Reduced code ⁽¹⁾ | 3.55 | 3.25 | mA | 137 | 125 | μA/MHz |
| | | | | Coremark | 3.45 | 3.2 | | 133 | 123 | |
| | | | | Dhrystone2.1 | 3.55 | 3.25 | | 137 | 125 | |
| | | | | Fibonacci | 3.40 | 3 | | 131 | 115 | |
| | | | | While(1) | 2.90 | 2.95 | | 112 | 113 | |
| | | | Range 1 f _{HCLK} = 150 MHz | Reduced code ⁽¹⁾ | 18.50 | 16.00 | mA | 123 | 107 | μA/MHz |
| | | | | Coremark | 17.50 | 15.50 | | 117 | 103 | |
| | | | | Dhrystone2.1 | 18.50 | 16.00 | | 123 | 107 | |
| | | | | Fibonacci | 16.50 | 14.50 | | 110 | 97 | |
| | | | | While(1) | 19.50 | 19.50 | | 130 | 130 | |
| | | | Range 1 Boost mode f _{HCLK} = 170 MHz | Reduced code ⁽¹⁾ | 20.50 | 18.00 | mA | 121 | 106 | μA/MHz |
| | | | | Coremark | 20.00 | 17.50 | | 118 | 103 | |
| | | | | Dhrystone2.1 | 20.50 | 18.00 | | 121 | 106 | |
| | | | | Fibonacci | 18.50 | 16.50 | | 109 | 97 | |
| | | | | While(1) | 23.50 | 24.00 | | 138 | 141 | |



Table 27. Typical current consumption in Run and Low-power run modes, with different codes running from Flash, ART disable (continued)

| Symbol | Parameter | Conditions | | Code | TYP Single Bank Mode | TYP Dual Bank Mode | Unit | TYP Single Bank Mode | TYP Dual Bank Mode | Unit |
|----------------------------|--|--|-----------------|-----------------------------|----------------------------|--------------------------|------|----------------------------|--------------------------|--------|
| | | - | Voltage scaling | | 25°C | 25°C | | 25°C | 25°C | |
| I _{DD} (LPRun) | Supply current in Low-power run | SYSCLK source is HSI16 f _{HCLK} = 2 MHz all peripherals disable | | Reduced code ⁽¹⁾ | 970 | 1,000 | μA | 485 | 500 | μA/MHz |
| | | | | Coremark | 985 | 1,000 | | 493 | 500 | |
| | | | | Dhrystone2.1 | 985 | 955 | | 493 | 478 | |
| | | | | Fibonacci | 1,050 | 990 | | 525 | 495 | |
| | | | | While(1) | 920 | 875 | | 460 | 438 | |

1. Reduced code used for characterization results provided in the first tables.

Table 28. Typical current consumption in Run and Low-power run modes, with different codes running from SRAM1

| Symbol | Parameter | Conditions | | Code | TYP | Unit | TYP | Unit |
|-------------|---------------------------------|---|--|-----------------------------|-------|---------|------|-------------|
| | | - | Voltage scaling | | 25°C | | 25°C | |
| IDD (Run) | Supply current in Run mode | $f_{HCLK} = f_{HSE}$ up to 48 MHz included, bypass mode PLL ON above 48 MHz all peripherals disable | Range2 $f_{HCLK}=26$ MHz | Reduced code ⁽¹⁾ | 3.25 | mA | 125 | μ A/MHz |
| | | | | Coremark | 3.35 | | 129 | |
| | | | | Dhrystone2.1 | 3.30 | | 127 | |
| | | | | Fibonacci | 3.30 | | 127 | |
| | | | | While(1) | 3.40 | | 131 | |
| | | | Range 1 $f_{HCLK}= 150$ MHz | Reduced code ⁽¹⁾ | 21.50 | mA | 143 | μ A/MHz |
| | | | | Coremark | 22.50 | | 150 | |
| | | | | Dhrystone2.1 | 21.50 | | 143 | |
| | | | | Fibonacci | 22.50 | | 150 | |
| | | | | While(1) | 20.00 | | 133 | |
| | | | Range 1 Boost mode $f_{HCLK}= 170$ MHz | Reduced code ⁽¹⁾ | 26.00 | mA | 153 | μ A/MHz |
| | | | | Coremark | 27.00 | | 159 | |
| | | | | Dhrystone2.1 | 26.00 | | 153 | |
| | | | | Fibonacci | 27.50 | | 162 | |
| | | | | While(1) | 24.50 | | 144 | |
| IDD (LPRun) | Supply current in Low-power run | $f_{HCLK} = f_{HSE} = 2$ MHz all peripherals disable | | Reduced code ⁽¹⁾ | 955 | μ A | 478 | μ A/MHz |
| | | | | Coremark | 890 | | 445 | |
| | | | | Dhrystone2.1 | 915 | | 458 | |
| | | | | Fibonacci | 880 | | 440 | |
| | | | | While(1) | 905 | | 453 | |

1. Reduced code used for characterization results provided in [Table 21](#), [Table 23](#), [Table 25](#).



Table 29. Typical current consumption in Run and Low-power run modes, with different codes running from SRAM2

| Symbol | Parameter | Conditions | | f_{HCLK} | TYP | Unit | TYP | Unit |
|--------------|----------------------------|---|--|---------------------------------|---|-----------------------------|------------------|-------------|
| | | - | Voltage scaling | | Single bank mode | | Single bank mode | |
| IDD (Run) | Supply current in Run mode | $f_{HCLK} = f_{HSE}$ up to 48 MHz included, bypass mode PLL ON above 48 MHz all peripherals disable | Range2 $f_{HCLK}=26$ MHz | Reduced code ⁽¹⁾ | 2.65 | mA | 102 | μ A/MHz |
| | | | | Coremark | 2.80 | | 108 | |
| | | | | Dhrystone2.1 | 2.65 | | 102 | |
| | | | | Fibonacci | 2.60 | | 100 | |
| | | | | While(1) | 2.45 | | 94 | |
| | | | Range 1 $f_{HCLK}= 150$ MHz | Reduced code ⁽¹⁾ | 17.50 | mA | 117 | μ A/MHz |
| | | | | Coremark | 18.00 | | 120 | |
| | | | | Dhrystone2.1 | 17.50 | | 117 | |
| | | | | Fibonacci | 17.00 | | 113 | |
| | | | Range 1 Boost mode $f_{HCLK}= 170$ MHz | Reduced code ⁽¹⁾ | 21.00 | mA | 124 | μ A/MHz |
| | | | | Coremark | 22.00 | | 129 | |
| | | | | Dhrystone2.1 | 21.00 | | 124 | |
| | | | | Fibonacci | 20.50 | | 121 | |
| | | | | While(1) | 19.50 | | 115 | |
| | | | IDD (LPRun) | Supply current in Low-power run | SYSCLK source is HSI16 $F_{HCLK} = 2$ MHz all peripherals disable | Reduced code ⁽¹⁾ | 890 | μ A |
| Coremark | 830 | 415 | | | | | | |
| Dhrystone2.1 | 825 | 413 | | | | | | |
| Fibonacci | 830 | 415 | | | | | | |
| While(1) | 815 | 408 | | | | | | |

1. Reduced code used for characterization results provided in [Table 21](#), [Table 23](#), [Table 25](#).

Table 30. Typical current consumption in Run and Low-power run modes, with different codes running from CCMSRAM

| Symbol | Parameter | Conditions | | f_{HCLK} | TYP | Unit | TYP | Unit |
|-------------|----------------------------|---|--|---------------------------------|---|-----------------------------|------------------|-------------|
| | | - | Voltage scaling | | Single bank mode | | Single bank mode | |
| IDD (Run) | Supply current in Run mode | $f_{HCLK} = f_{HSE}$ up to 48 MHz included, bypass mode PLL ON above 48 MHz all peripherals disable | Range2 $f_{HCLK}=26$ MHz | Reduced code ⁽¹⁾ | 2.75 | mA | 106 | μ A/MHz |
| | | | | Coremark | 2.85 | | 110 | |
| | | | | Dhystone2.1 | 2.75 | | 106 | |
| | | | | Fibonacci | 2.95 | | 113 | |
| | | | | While(1) | 2.60 | | 100 | |
| | | | Range 1 $f_{HCLK}= 150$ MHz | Reduced code ⁽¹⁾ | 18.00 | mA | 120 | μ A/MHz |
| | | | | Coremark | 18.50 | | 123 | |
| | | | | Dhystone2.1 | 18.00 | | 120 | |
| | | | | Fibonacci | 19.00 | | 127 | |
| | | | Range 1 Boost mode $f_{HCLK}= 170$ MHz | Reduced code ⁽¹⁾ | 22.00 | mA | 129 | μ A/MHz |
| | | | | Coremark | 22.50 | | 132 | |
| | | | | Dhystone2.1 | 22.00 | | 129 | |
| | | | | Fibonacci | 23.50 | | 138 | |
| | | | | While(1) | 20.50 | | 121 | |
| | | | IDD (LPRun) | Supply current in Low-power run | SYSCLK source is HSI16 $F_{HCLK} = 2$ MHz all peripherals disable | Reduced code ⁽¹⁾ | 900 | μ A |
| Coremark | 850 | 425 | | | | | | |
| Dhystone2.1 | 870 | 435 | | | | | | |
| Fibonacci | 850 | 425 | | | | | | |
| While(1) | 810 | 405 | | | | | | |



1. Reduced code used for characterization results provided in [Table 21](#), [Table 23](#), [Table 25](#).

Table 31. Current consumption in Sleep and Low-power sleep mode Flash ON

| Symbol | Parameter | Condition | | f _{HCLK} | Typ | | | | | Max | | | | | Unit |
|-------------|------------------------------|---|--------------------|-------------------|------|-------|-------|-------|-------|------|------|-------|-------|-------|------|
| | | - | Voltage scaling | | 25°C | 55°C | 85°C | 105°C | 125°C | 25°C | 55°C | 85°C | 105°C | 125°C | |
| IDD (Sleep) | Supply current in Sleep mode | f _{HCLK} = f _{HSE} up to 48 MHz included, bypass mode PLL ON above 48 MHz all peripherals disable | Range 2 | 26 MHz | 0.98 | 1.1 | 1.75 | 2.4 | 3.75 | 1.40 | 2.00 | 4.00 | 5.90 | 9.80 | mA |
| | | | | 16 MHz | 0.67 | 0.835 | 1.45 | 2.15 | 3.5 | 1.10 | 1.60 | 3.60 | 5.50 | 9.40 | |
| | | | | 8 MHz | 0.44 | 0.605 | 1.25 | 2 | 3.35 | 0.71 | 1.30 | 3.30 | 5.20 | 9.00 | |
| | | | | 4 MHz | 0.33 | 0.5 | 1.1 | 1.9 | 3.25 | 0.55 | 1.20 | 3.10 | 5.00 | 8.90 | |
| | | | | 2 MHz | 0.27 | 0.445 | 1.05 | 1.85 | 3.2 | 0.46 | 1.10 | 3.00 | 4.90 | 8.80 | |
| | | | | 1 MHz | 0.24 | 0.415 | 1.05 | 1.8 | 3.15 | 0.41 | 0.97 | 2.90 | 4.80 | 8.70 | |
| | | | | 100 KHz | 0.21 | 0.385 | 0.995 | 1.8 | 3.1 | 0.37 | 0.93 | 2.90 | 4.80 | 8.70 | |
| | | | Range 1 Boost mode | 170 MHz | 6.60 | 6.95 | 7.8 | 8.9 | 10.5 | 8.60 | 8.80 | 11.00 | 14.00 | 19.00 | |
| | | | Range 1 | 150 MHz | 5.50 | 5.8 | 6.55 | 7.55 | 9.25 | 6.80 | 7.30 | 9.00 | 12.00 | 17.00 | |
| | | | | 120 MHz | 4.50 | 4.75 | 5.5 | 6.55 | 8.2 | 5.80 | 6.20 | 8.00 | 11.00 | 16.00 | |
| | | | | 80 MHz | 3.15 | 3.45 | 4.2 | 5.15 | 6.8 | 4.50 | 4.20 | 6.70 | 9.10 | 14.00 | |
| | | | | 72 MHz | 2.85 | 3.15 | 3.9 | 4.9 | 6.55 | 3.90 | 3.90 | 6.40 | 8.80 | 14.00 | |
| | | | | 64 MHz | 2.60 | 2.9 | 3.65 | 4.6 | 6.3 | 3.60 | 3.60 | 6.10 | 8.60 | 14.00 | |
| | | | | 48 MHz | 1.90 | 2.2 | 3 | 3.65 | 5.3 | 3.00 | 3.10 | 5.60 | 8.00 | 13.00 | |
| | | | | 32 MHz | 1.40 | 1.65 | 2.4 | 3.2 | 4.85 | 1.90 | 2.70 | 5.20 | 7.60 | 13.00 | |
| | | | | 24 MHz | 1.10 | 1.35 | 2.1 | 3 | 4.65 | 1.60 | 2.40 | 4.90 | 7.30 | 13.00 | |
| | | | 16 MHz | 0.83 | 1.1 | 1.85 | 2.75 | 4.35 | 1.30 | 2.10 | 4.60 | 7.00 | 12.00 | | |

Table 31. Current consumption in Sleep and Low-power sleep mode Flash ON (continued)

| Symbol | Parameter | Condition | | f _{HCLK} | Typ | | | | | Max | | | | | Unit |
|-------------|--------------------------------------|---|-----------------|-------------------|------|------|------|-------|-------|------|------|------|-------|-------|------|
| | | - | Voltage scaling | | 25°C | 55°C | 85°C | 105°C | 125°C | 25°C | 55°C | 85°C | 105°C | 125°C | |
| IDD (LPRun) | Supply current in Low-power run mode | SYSCLK source is HSE in bypass mode all peripherals disable | | 2 MHz | 205 | 430 | 1150 | 2050 | 3600 | 1700 | 2700 | 3500 | 5700 | 11000 | μA |
| | | | | 1 MHz | 165 | 400 | 1100 | 2000 | 3550 | 940 | 2200 | 3400 | 5700 | 11000 | |
| | | | | 250 KHz | 145 | 370 | 1100 | 2000 | 3550 | 370 | 1100 | 3400 | 5700 | 11000 | |
| | | | | 62.5 KHz | 140 | 365 | 1050 | 2000 | 3550 | 360 | 1100 | 3400 | 5600 | 11000 | |
| | | SYSCLK source is HSI16 all peripherals disable | | 2 MHz | 700 | 925 | 1650 | 2550 | 4100 | 1100 | 1900 | 4300 | 6300 | 11000 | μA |
| | | | | 1 MHz | 710 | 925 | 1600 | 2550 | 4100 | 1100 | 1800 | 4300 | 6300 | 11000 | |
| | | | | 250 KHz | 670 | 910 | 1600 | 2500 | 4050 | 1100 | 1800 | 4200 | 6300 | 11000 | |
| | | | | 62.5 KHz | 685 | 910 | 1600 | 2500 | 4050 | 1100 | 1800 | 4000 | 6300 | 11000 | |

Table 32. Current consumption in low-power sleep modes, Flash in power-down

| Symbol | Parameter | Condition | | f _{HCLK} | Typ | | | | | Max | | | | | Unit |
|---------------|--|---|-----------------|-------------------|------|------|------|-------|-------|------|------|------|-------|-------|------|
| | | - | Voltage scaling | | 25°C | 55°C | 85°C | 105°C | 125°C | 25°C | 55°C | 85°C | 105°C | 125°C | |
| IDD (LPSleep) | Supply current in low-power sleep mode | SYSCLK source is HSE in bypass mode all peripherals disable | | 2 MHz | 210 | 385 | 1150 | 2050 | 3550 | 460 | 1200 | 3500 | 5700 | 11000 | μA |
| | | | | 1 MHz | 150 | 360 | 1100 | 2000 | 3550 | 410 | 1100 | 3400 | 5600 | 11000 | |
| | | | | 250 KHz | 120 | 330 | 1050 | 2000 | 3500 | 370 | 1100 | 3400 | 5600 | 11000 | |
| | | | | 62.5 KHz | 110 | 330 | 1050 | 1950 | 3500 | 360 | 1100 | 3300 | 5600 | 10000 | |
| | | SYSCLK source is HSI16 all peripherals disable | | 2 MHz | 675 | 900 | 1600 | 2500 | 4050 | 1100 | 1800 | 4200 | 6400 | 11000 | μA |
| | | | | 1 MHz | 695 | 890 | 1600 | 2500 | 4050 | 1100 | 1800 | 4100 | 6300 | 11000 | |
| | | | | 250 KHz | 640 | 885 | 1600 | 2500 | 4050 | 1100 | 1800 | 4100 | 6300 | 11000 | |
| | | | | 62.5 KHz | 690 | 880 | 1600 | 2500 | 4050 | 990 | 1600 | 3500 | 5400 | 9300 | |



Table 33. Current consumption in Stop 1 mode

| Symbol | Parameter | Conditions | | TYP | | | | | MAX ⁽¹⁾ | | | | | Unit |
|-----------------------------------|--|--|-----------------|------|------|------|-------|-------|--------------------|------|------|-------|--------------|------|
| | | - | V _{DD} | 25°C | 55°C | 85°C | 105°C | 125°C | 25°C | 55°C | 85°C | 105°C | 125°C | |
| IDD (Stop 1) | Supply current in Stop 1 mode, RTC disabled | RTC disabled | 1.8 V | 80 | 250 | 830 | 1550 | 2850 | 230 | 770 | 2400 | 4600 | 6000 | μA |
| | | | 2.4 V | 80 | 250 | 835 | 1600 | 2850 | 230 | 780 | 2400 | 4600 | 8400 | |
| | | | 3.0 V | 80.5 | 255 | 840 | 1600 | 2900 | 230 | 780 | 2400 | 4600 | 8400 | |
| | | | 3.6 V | 81.5 | 255 | 845 | 1600 | 2900 | 240 | 780 | 2400 | 4600 | 8400 | |
| IDD (Stop 1 with RTC) | Supply current in Stop 1 mode, RTC enabled | RTC clocked by LSI | 1.8 V | 80.5 | 255 | 830 | 1550 | 2850 | 230 | 770 | 2400 | 4600 | 11000 | |
| | | | 2.4 V | 81 | 255 | 835 | 1600 | 2850 | 230 | 770 | 2400 | 4600 | 11000 | |
| | | | 3.0 V | 81.5 | 255 | 835 | 1600 | 2850 | 230 | 780 | 2400 | 4600 | 11000 | |
| | | | 3.6 V | 82 | 255 | 845 | 1600 | 2900 | 240 | 780 | 2400 | 4600 | 11000 (2) | |
| | | RTC clocked by LSE bypassed at 32768 Hz | 1.8 V | 80 | 255 | 830 | 1550 | 2850 | - | - | - | - | - | |
| | | | 2.4 V | 80.5 | 255 | 830 | 1600 | 2850 | - | - | - | - | - | |
| | | | 3.0 V | 81.5 | 255 | 835 | 1600 | 2900 | - | - | - | - | - | |
| | | | 3.6 V | 83 | 260 | 845 | 1600 | 2900 | - | - | - | - | - | |
| | | RTC clocked by LSE quartz in low drive mode at 32768 Hz | 1.8 V | 83.5 | 220 | 655 | 1300 | - | - | - | - | - | - | |
| | | | 2.4 V | 84 | 220 | 660 | 1300 | - | - | - | - | - | - | |
| | | | 3.0 V | 84.5 | 220 | 660 | 1300 | - | - | - | - | - | - | |
| | | | 3.6 V | 87 | 220 | 660 | 1300 | - | - | - | - | - | - | |
| IDD (wakeup from Stop 1) | Supply current during wakeup from Stop 1 mode | Wakeup clock is HSI6, voltage Range 1 | 3.0 V | 1.73 | - | - | - | - | - | - | - | - | mA | |
| | | Wakeup clock is HSI6 = 4 MHz, (HPRE = 4), voltage Range 2 | 3.0 V | 1.29 | - | - | - | - | - | - | - | - | | |

1. Guaranteed by characterization results, unless otherwise specified.
2. Guaranteed by test in production

Table 34. Current consumption in Stop 0 mode

| Symbol | Parameter | Conditions | | TYP | | | | | MAX ⁽¹⁾ | | | | | Unit |
|-------------|---|------------|-------|------|------|------|-------|-------|--------------------|------|------|-------|----------------------|------|
| | | - | VDD | 25°C | 55°C | 85°C | 105°C | 125°C | 25°C | 55°C | 85°C | 105°C | 125°C | |
| IDD(Stop 0) | Supply current in Stop 0 mode, RTC disabled | - | 1.8 V | 190 | 380 | 980 | 1750 | 3100 | 350 | 920 | 2700 | 5000 | 12000 | μA |
| | | | 2.4 V | 190 | 380 | 985 | 1750 | 3100 | 350 | 930 | 2700 | 5100 | 12000 | |
| | | | 3 V | 190 | 380 | 985 | 1750 | 3100 | 350 | 940 | 2700 | 5100 | 12000 | |
| | | | 3.6 V | 190 | 380 | 985 | 1750 | 3100 | 360 | 940 | 2700 | 5200 | 12000 ⁽²⁾ | |

1. Guaranteed by characterization results, unless otherwise specified.

2. Guaranteed by test in production.

Table 35. Current consumption in Standby mode

| Symbol | Parameter | Conditions | | TYP | | | | | MAX ⁽¹⁾ | | | | | Unit | |
|------------------|--|---------------------------|-------|------|------|------|-------|-------|--------------------|------|------|-------|----------------------|------|---|
| | | - | VDD | 25°C | 55°C | 85°C | 105°C | 125°C | 25°C | 55°C | 85°C | 105°C | 125°C | | |
| IDD (Standby) | Supply current in Standby mode (backup registers retained), RTC disabled | No independent watchdog | 1.8 V | 100 | 275 | 1350 | 3450 | 8450 | 270 | 1800 | 4700 | 8800 | 24000 | nA | |
| | | | 2.4 V | 110 | 325 | 1600 | 4100 | 10000 | 290 | 2100 | 5200 | 11000 | 28000 | | |
| | | | 3 V | 130 | 385 | 1900 | 4850 | 12000 | 350 | 2300 | 6200 | 12000 | 32000 | | |
| | | | 3.6 V | 180 | 530 | 2400 | 6050 | 14500 | 670 | 2400 | 7200 | 14000 | 38000 ⁽²⁾ | | |
| | | With independent watchdog | 1.8 V | 300 | - | - | - | - | - | - | - | - | - | | - |
| | | | 2.4 V | 365 | - | - | - | - | - | - | - | - | - | | - |
| | | | 3 V | 435 | - | - | - | - | - | - | - | - | - | | - |
| | | | 3.6 V | 545 | - | - | - | - | - | - | - | - | - | | - |



Table 35. Current consumption in Standby mode (continued)

| Symbol | Parameter | Conditions | | TYP | | | | | MAX ⁽¹⁾ | | | | | Unit | |
|-------------------------------|--|--|-----------------|------|------|------|-------|-------|--------------------|------|------|-------|-------|------|---|
| | | - | V _{DD} | 25°C | 55°C | 85°C | 105°C | 125°C | 25°C | 55°C | 85°C | 105°C | 125°C | | |
| IDD (Standby with RTC) | Supply current in Standby mode (backup registers retained), RTC enabled | RTC clocked by LSI, no independent watchdog | 1.8 V | 540 | 725 | 1800 | 3850 | 8850 | 770 | 1900 | 4900 | 9300 | 25000 | nA | |
| | | | 2.4 V | 700 | 920 | 2150 | 4650 | 10500 | 960 | 3900 | 5800 | 11000 | 29000 | | |
| | | | 3 V | 885 | 1150 | 2650 | 5550 | 12500 | 1300 | 4500 | 7000 | 13000 | 33000 | | |
| | | | 3.6 V | 1100 | 1450 | 3350 | 7000 | 15500 | 1600 | 5100 | 8200 | 15000 | 39000 | | |
| | | RTC clocked by LSI, with independent watchdog | 1.8 V | 580 | - | - | - | - | - | - | - | - | - | | - |
| | | | 2.4 V | 760 | - | - | - | - | - | - | - | - | - | | - |
| | | | 3 V | 960 | - | - | - | - | - | - | - | - | - | | - |
| | | | 3.6 V | 1200 | - | - | - | - | - | - | - | - | - | | - |
| | | RTC clocked by LSE bypassed at 32768 Hz | 1.8 V | 410 | 580 | 1600 | 3650 | 8600 | - | - | - | - | - | | - |
| | | | 2.4 V | 545 | 750 | 1950 | 4450 | 10500 | - | - | - | - | - | | - |
| | | | 3 V | 830 | 1150 | 2750 | 5800 | 13000 | - | - | - | - | - | | - |
| | | | 3.6 V | 2200 | 3050 | 5550 | 9550 | 18000 | - | - | - | - | - | | - |
| | | RTC clocked by LSE quartz ⁽³⁾ in low drive mode | 1.8 V | 370 | 570 | 1350 | 3150 | 7100 | - | - | - | - | - | | - |
| | | | 2.4 V | 495 | 715 | 1650 | 3800 | 8350 | - | - | - | - | - | | - |
| | | | 3 V | 655 | 915 | 2100 | 4550 | 9850 | - | - | - | - | - | | - |
| | | | 3.6 V | 875 | 1350 | 2800 | 5750 | 12000 | - | - | - | - | - | | - |
| IDD (SRAM2) ⁽⁴⁾ | Supply current to be added in Standby mode when SRAM2 is retained | - | 1.8 V | 300 | 825 | 2950 | 6300 | 12550 | - | - | - | - | - | nA | |
| | | | 2.4 V | 305 | 875 | 2900 | 6400 | 12500 | - | - | - | - | - | | |
| | | | 3 V | 305 | 865 | 2950 | 6150 | 12500 | - | - | - | - | - | | |
| | | | 3.6 V | 310 | 870 | 3000 | 6450 | 13000 | - | - | - | - | - | | |

Table 35. Current consumption in Standby mode (continued)

| Symbol | Parameter | Conditions | | TYP | | | | | MAX ⁽¹⁾ | | | | | Unit |
|---------------------------------------|--|---|-----|------|------|------|-------|-------|--------------------|------|------|-------|-------|------|
| | | - | VDD | 25°C | 55°C | 85°C | 105°C | 125°C | 25°C | 55°C | 85°C | 105°C | 125°C | |
| I _{DD} (wakeup from Standby) | Supply current during wakeup from Standby mode | Wakeup clock is HSI16 = 16 MHz ⁽⁵⁾ | 3 V | 2.46 | - | - | - | - | - | - | - | - | - | mA |

1. Guaranteed by characterization results, unless otherwise specified.
2. Guaranteed by test in production
3. Based on characterization done with a 32.768 kHz crystal (MC306-G-06Q-32.768, manufacturer JFVNY) with two 6.8 pF loading capacitors.
4. The supply current in Standby with SRAM2 mode is: I_{DD}_ALL(Standby) + I_{DD}_ALL(SRAM2). The supply current in Standby with RTC with SRAM2 mode is: I_{DD}_ALL(Standby + RTC) + I_{DD}_ALL(SRAM2).
5. Wakeup with code execution from Flash. Average value given for a typical wakeup time as specified in [Table 39: Low-power mode wakeup timings](#).

Table 36. Current consumption in Shutdown mode

| Symbol | Parameter | Conditions | | TYP | | | | | MAX ⁽¹⁾ | | | | | Unit |
|----------------------------|--|------------|-------|------|------|------|-------|-------|--------------------|------|------|-------|-------|------|
| | | - | VDD | 25°C | 55°C | 85°C | 105°C | 125°C | 25°C | 55°C | 85°C | 105°C | 125°C | |
| I _{DD} (Shutdown) | Supply current in Shutdown mode (backup registers retained) RTC disabled | - | 1.8 V | 19 | 140 | 885 | 2500 | 6600 | 160 | 390 | 2100 | 6700 | 21000 | nA |
| | | | 2.4 V | 28 | 180 | 1050 | 2950 | 7800 | 190 | 510 | 2400 | 7900 | 24000 | |
| | | | 3 V | 43 | 230 | 1300 | 3600 | 9300 | 220 | 580 | 2900 | 9100 | 27000 | |
| | | | 3.6 V | 87 | 360 | 1750 | 4700 | 12000 | 300 | 750 | 3500 | 11000 | 32000 | |



Table 36. Current consumption in Shutdown mode (continued)

| Symbol | Parameter | Conditions | | TYP | | | | | MAX ⁽¹⁾ | | | | | Unit | |
|----------------------------|---|--|-------|------|------|------|-------|-------|--------------------|------|------|-------|-------|------|---|
| | | - | VDD | 25°C | 55°C | 85°C | 105°C | 125°C | 25°C | 55°C | 85°C | 105°C | 125°C | | |
| IDD (Shutdown with RTC) | Supply current in Shutdown mode (backup registers retained) RTC enabled | RTC clocked by LSE bypassed at 32768 Hz | 1.8 V | 330 | 445 | 1150 | 2700 | 6800 | - | - | - | - | - | nA | |
| | | | 2.4 V | 460 | 605 | 1450 | 3350 | 8150 | - | - | - | - | - | | |
| | | | 3 V | 745 | 1000 | 2200 | 4550 | 10500 | - | - | - | - | - | | |
| | | | 3.6 V | 2100 | 2850 | 4900 | 8150 | 15500 | - | - | - | - | - | | |
| | | RTC clocked by LSE quartz ⁽²⁾ in low drive mode | 1.8 V | 285 | 450 | 1050 | 2500 | - | - | - | - | - | - | | - |
| | | | 2.4 V | 410 | 585 | 1300 | 3050 | - | - | - | - | - | - | | - |
| | | | 3 V | 565 | 770 | 1750 | 3750 | - | - | - | - | - | - | | - |
| | | | 3.6 V | 780 | 1200 | 2400 | 4850 | - | - | - | - | - | - | | - |
| IDD(wakeup from Shutdown) | Supply current during wakeup from Shutdown mode | Wakeup clock is HSI16 = 16 MHz ⁽³⁾ | 3 V | 1.6 | - | - | - | - | - | - | - | - | - | mA | |

1. Guaranteed by characterization results, unless otherwise specified.

2. Based on characterization done with a 32.768 kHz crystal (MC306-G-06Q-32.768, manufacturer JFVNY) with two 6.8 pF loading capacitors.

3. Wakeup with code execution from Flash. Average value given for a typical wakeup time as specified in [Table 39: Low-power mode wakeup timings](#).

Table 37. Current consumption in V_{BAT} mode

| Symbol | Parameter | Conditions | | TYP | | | | | MAX ⁽¹⁾ | | | | | Unit | |
|------------------|------------------------------|--|-----------|------|------|------|-------|-------|--------------------|------|------|-------|-------|------|---|
| | | - | V_{BAT} | 25°C | 55°C | 85°C | 105°C | 125°C | 25°C | 55°C | 85°C | 105°C | 125°C | | |
| IDD(V_{BAT}) | Backup domain supply current | RTC disabled | 1.8 V | 4 | 17 | 92 | 245 | 600 | - | - | - | - | - | nA | |
| | | | 2.4 V | 5 | 20 | 105 | 280 | 690 | - | - | - | - | - | | |
| | | | 3 V | 6 | 24 | 125 | 330 | 805 | - | - | - | - | - | | |
| | | | 3.6 V | 16 | 54 | 260 | 675 | 1650 | - | - | - | - | - | | |
| | | RTC enabled and clocked by LSE bypassed at 32768 Hz | 1.8 V | 310 | 315 | 350 | 470 | - | - | - | - | - | - | | - |
| | | | 2.4 V | 435 | 440 | 500 | 665 | - | - | - | - | - | - | | - |
| | | | 3 V | 720 | 815 | 1050 | 1350 | - | - | - | - | - | - | | - |
| | | | 3.6 V | 2150 | 2600 | 3400 | 4050 | - | - | - | - | - | - | | - |
| | | RTC enabled and clocked by LSE quartz ⁽²⁾ | 1.8 V | 270 | 345 | 455 | 715 | 835 | - | - | - | - | - | | - |
| | | | 2.4 V | 385 | 455 | 650 | 910 | 910 | - | - | - | - | - | | - |
| | | | 3 V | 525 | 600 | 910 | 1150 | 1000 | - | - | - | - | - | | - |
| | | | 3.6 V | 710 | 995 | 1250 | 1700 | 1900 | - | - | - | - | - | | - |

1. Guaranteed by characterization results, unless otherwise specified.

2. Based on characterization done with a 32.768 kHz crystal (MC306-G-06Q-32.768, manufacturer JFVNY) with two 6.8 pF loading capacitors.

IO system current consumption

The current consumption of the I/O system has two components: static and dynamic.

I/O static current consumption

All the I/Os used as inputs with pull-up generate current consumption when the pin is externally held low. The value of this current consumption can be simply computed by using the pull-up/pull-down resistors values given in [Table 57: I/O static characteristics](#).

For the output pins, any external pull-down or external load must also be considered to estimate the current consumption.

Additional I/O current consumption is due to I/Os configured as inputs if an intermediate voltage level is externally applied. This current consumption is caused by the input Schmitt trigger circuits used to discriminate the input value. Unless this specific configuration is required by the application, this supply current consumption can be avoided by configuring these I/Os in analog mode. This is notably the case of ADC, OPAMP, COMP input pins which should be configured as analog inputs.

Caution: Any floating input pin can also settle to an intermediate voltage level or switch inadvertently, as a result of external electromagnetic noise. To avoid current consumption related to floating pins, they must either be configured in analog mode, or forced internally to a definite digital value. This is done either by using pull-up/down resistors or by configuring the pins in output mode.

I/O dynamic current consumption

In addition to the internal peripheral current consumption measured previously (see [Table 39: Low-power mode wakeup timings](#)), the I/Os used by an application also contribute to the current consumption. When an I/O pin switches, it uses the current from the I/O supply voltage to supply the I/O pin circuitry and to charge/discharge the capacitive load (internal or external) connected to the pin:

$$I_{SW} = V_{DDIOx} \times f_{SW} \times C$$

where

I_{SW} is the current sunk by a switching I/O to charge/discharge the capacitive load

V_{DD} is the I/O supply voltage

f_{SW} is the I/O switching frequency

C is the total capacitance seen by the I/O pin: $C = C_{INT} + C_{EXT} + C_S$

C_S is the PCB board capacitance including the pad pin.

The test pin is configured in push-pull output mode and is toggled by software at a fixed frequency.

On-chip peripheral current consumption

The current consumption of the on-chip peripherals is given in [Table 38](#). The MCU is placed under the following conditions:

- All I/O pins are in Analog mode
- The given value is calculated by measuring the difference of the current consumptions:
 - when the peripheral is clocked on
 - when the peripheral is clocked off
- Ambient operating temperature and supply voltage conditions summarized in [Table 14: Voltage characteristics](#)
- The power consumption of the digital part of the on-chip peripherals is given in [Table 38](#). The power consumption of the analog part of the peripherals (where applicable) is indicated in each related section of the datasheet.

Table 38. Peripheral current consumption

| Bus | Peripheral | Range 1 Boost mode | Range 1 Normal mode | Range 2 | Low-power run and sleep | Unit |
|------|---------------------|--------------------|---------------------|---------|-------------------------|--------|
| - | Bus Matrix | 6.12 | 5.69 | 4.70 | 6.11 | μA/MHz |
| | AHB1 to APB1 bridge | 0.26 | 0.25 | 0.22 | 0.03 | |
| | AHB1 to APB2 bridge | 0.39 | 0.37 | 0.32 | 0.03 | |
| | FSMC | 10.21 | 9.52 | 7.87 | 10.28 | |
| | QUADSPI | 3.51 | 3.27 | 2.69 | 3.51 | |
| AHB1 | CORDIC | 1.28 | 1.19 | 0.98 | 0.78 | μA/MHz |
| | CRC | 0.74 | 0.68 | 0.57 | 0.63 | |
| | DMA 1 | 2.83 | 2.64 | 2.17 | 2.75 | |
| | DMA 2 | 3.11 | 2.90 | 2.39 | 2.43 | |
| | DMAMUX | 6.71 | 6.26 | 5.17 | 6.68 | |
| | SRAM1 | 0.58 | 0.54 | 0.44 | 0.54 | |
| | FLASH | 6.46 | 6.01 | 4.95 | 6.15 | |
| | FMAC | 4.59 | 4.29 | 3.57 | 3.83 | |

Table 38. Peripheral current consumption (continued)

| Bus | Peripheral | Range 1 Boost mode | Range 1 Normal mode | Range 2 | Low-power run and sleep | Unit |
|------|----------------|--------------------------|---------------------------|---------|-------------------------------|--------|
| AHB2 | ADC1/ADC2 | 6.24 | 5.80 | 4.77 | 5.88 | μA/MHz |
| | ADC3/ADC4/ADC5 | 8.21 | 7.64 | 6.29 | 8.14 | |
| | DAC1 | 4.70 | 4.38 | 3.63 | 4.40 | |
| | DAC2 | 2.51 | 2.34 | 1.93 | 2.14 | |
| | DAC3 | 4.62 | 4.31 | 3.57 | 4.15 | |
| | DAC4 | 4.31 | 4.01 | 3.32 | 3.90 | |
| | GPIOA | 0.09 | 0.08 | 0.07 | 0.14 | |
| | GPIOB | 0.10 | 0.09 | 0.07 | 0.03 | |
| | GPIOC | 0.10 | 0.09 | 0.08 | 0.03 | |
| | GPIOD | 0.06 | 0.06 | 0.03 | 0.05 | |
| | GPIOE | 0.23 | 0.22 | 0.18 | 0.10 | |
| | GPIOF | 0.07 | 0.07 | 0.05 | 0.02 | |
| | GPIOG | 0.25 | 0.24 | 0.20 | 0.24 | |
| | SRAM2 | 0.39 | 0.37 | 0.29 | 0.28 | |
| | CCM SRAM | 0.29 | 0.27 | 0.23 | 0.22 | |
| RNG | 2.09 | 1.95 | NA | NA | | |

Table 38. Peripheral current consumption (continued)

| Bus | Peripheral | Range 1 Boost mode | Range 1 Normal mode | Range 2 | Low-power run and sleep | Unit |
|------|----------------|--------------------|---------------------|---------|-------------------------|--------|
| AHB2 | ADC1/ADC2 | 6.24 | 5.80 | 4.77 | 5.88 | μA/MHz |
| | ADC3/ADC4/ADC5 | 8.21 | 7.64 | 6.29 | 8.14 | |
| | DAC1 | 4.70 | 4.38 | 3.63 | 4.40 | |
| | DAC2 | 2.51 | 2.34 | 1.93 | 2.14 | |
| | DAC3 | 4.62 | 4.31 | 3.57 | 4.15 | |
| | DAC4 | 4.31 | 4.01 | 3.32 | 3.90 | |
| | GPIOA | 0.09 | 0.08 | 0.07 | 0.14 | |
| | GPIOB | 0.10 | 0.09 | 0.07 | 0.03 | |
| | GPIOC | 0.10 | 0.09 | 0.08 | 0.03 | |
| | GPIOD | 0.06 | 0.06 | 0.03 | 0.05 | |
| | GPIOE | 0.23 | 0.22 | 0.18 | 0.10 | |
| | GPIOF | 0.07 | 0.07 | 0.05 | 0.02 | |
| | GPIOG | 0.25 | 0.24 | 0.20 | 0.24 | |
| | SRAM2 | 0.39 | 0.37 | 0.29 | 0.28 | |
| | CCM SRAM | 0.29 | 0.27 | 0.23 | 0.22 | |
| | RNG | 2.09 | 1.95 | NA | NA | |
| | AES | 2.84 | 2.64 | 2.19 | 2.43 | |

Table 38. Peripheral current consumption (continued)

| Bus | Peripheral | Range 1 Boost mode | Range 1 Normal mode | Range 2 | Low-power run and sleep | Unit |
|------|----------------------|--------------------|---------------------|---------|-------------------------|--------|
| APB1 | CRS | 0.74 | 0.68 | 0.57 | 0.51 | µA/MHz |
| | FDCAN1/FDCAN2/FDCAN3 | 22.20 | 20.68 | 17.10 | 21.15 | |
| | I2C1 | 1.29 | 1.20 | 0.99 | 1.28 | |
| | I2C2 | 1.29 | 1.20 | 0.99 | 1.28 | |
| | I2C3 | 1.25 | 1.17 | 0.96 | 1.56 | |
| | I2C4 | 1.25 | 1.16 | 0.96 | 1.97 | |
| | LPTIM1 | 1.11 | 1.03 | 0.85 | 1.42 | |
| | LPUART1 | 1.91 | 1.78 | 1.47 | 2.03 | |
| | PWR | 0.71 | 0.65 | 0.53 | 0.53 | |
| | RTC | 2.64 | 2.46 | 2.07 | 3.26 | |
| | SPI2/I2S2 | 4.05 | 3.77 | 3.11 | 4.16 | |
| | SPI3/I2S3 | 4.08 | 3.81 | 3.13 | 4.49 | |
| | TIM2 | 7.97 | 7.42 | 6.16 | 8.29 | |
| | TIM3 | 6.37 | 5.93 | 4.92 | 6.81 | |
| | TIM4 | 6.43 | 5.98 | 4.97 | 6.50 | |
| | TIM5 | 8.28 | 7.71 | 6.38 | 8.11 | |
| | TIM6 | 1.22 | 1.13 | 0.94 | 1.45 | |
| | TIM7 | 1.28 | 1.18 | 0.98 | 1.56 | |
| | UART4 | 2.51 | 2.33 | 1.92 | 3.14 | |
| | UART5 | 2.79 | 2.60 | 2.14 | 3.34 | |
| | USART2 | 2.75 | 2.56 | 2.12 | 3.11 | |
| | USART3 | 2.71 | 2.52 | 2.08 | 2.47 | |
| USB | 0.46 | 0.43 | NA | NA | | |
| UCPD | 2.46 | 2.28 | 1.89 | NA | | |
| WWDG | 0.42 | 0.39 | 0.31 | 0.42 | | |

Table 38. Peripheral current consumption (continued)

| Bus | Peripheral | Range 1 Boost mode | Range 1 Normal mode | Range 2 | Low-power run and sleep | Unit |
|------|---------------------------|--------------------------|---------------------------|---------|-------------------------------|--------------------------|
| APB2 | HRTIM | 69.98 | 65.11 | 53.68 | 60.95 | $\mu\text{A}/\text{MHz}$ |
| | SAI1 | 2.67 | 2.48 | 2.05 | 2.64 | |
| | SPI1 | 1.99 | 1.86 | 1.54 | 2.02 | |
| | SPI4 | 1.99 | 1.86 | 1.54 | 2.02 | |
| | TIM1 | 10.85 | 10.13 | 8.40 | 9.93 | |
| | TIM8 | 10.67 | 9.96 | 8.25 | 9.82 | |
| | TIM15 | 4.81 | 4.48 | 3.71 | 4.57 | |
| | TIM16 | 3.71 | 3.45 | 2.88 | 3.45 | |
| | TIM17 | 3.66 | 3.41 | 2.83 | 3.81 | |
| | TIM20 | 10.71 | 9.99 | 8.29 | 10.00 | |
| | USART1 | 2.49 | 2.31 | 1.91 | 2.49 | |
| | SYSCFG/COMP/OPAMP/VREFBUF | 1.63 | 1.52 | 1.25 | 0.91 | |

Table 38. Peripheral current consumption (continued)

| Bus | Peripheral | | Range 1 Boost mode | Range 1 Normal mode | Range 2 | Low-power run and sleep | Unit |
|--------------------------|------------------------------|--------------------------|--------------------|---------------------|---------|-------------------------|--------|
| Independent clock domain | ADC1/ ADC2 | independent clock domain | 0.72 | 0.67 | 0.53 | 0.63 | µA/MHz |
| | ADC3/ ADC4/ ADC5 | independent clock domain | 0.67 | 0.62 | 0.50 | 0.22 | |
| | FDCAN1/ FDCAN2/ FDCAN3 | independent clock domain | 11.62 | 10.84 | 8.95 | 10.24 | |
| | I2C1 | independent clock domain | 4.03 | 3.76 | 3.12 | 4.15 | |
| | I2C2 | independent clock domain | 3.78 | 3.52 | 2.93 | 3.23 | |
| | I2C3 | independent clock domain | 2.72 | 2.55 | 2.11 | 2.65 | |
| | I2C4 | independent clock domain | 3.95 | 3.67 | 3.04 | 2.81 | |
| | I2S2 | independent clock domain | 1.49 | 1.40 | 1.15 | 1.63 | |
| | I2S3 | independent clock domain | 1.52 | 1.43 | 1.16 | 2.15 | |
| | LPTIM1 | independent clock domain | 4.00 | 3.71 | 3.08 | 3.57 | |
| | LPUART1 | independent clock domain | 4.43 | 4.13 | 3.45 | 4.02 | |
| | QUADSPI | independent clock domain | 0.54 | 0.51 | 0.44 | 0.75 | |
| | RNG | independent clock domain | 0.83 | 0.87 | NA | NA | |
| | USB | independent clock domain | 1.10 | 1.17 | NA | NA | |
| | SAI1 | independent clock domain | 3.36 | 3.14 | 2.58 | 3.25 | |
| | UART4 | independent clock domain | 6.60 | 6.17 | 5.14 | 6.02 | |
| | UART5 | independent clock domain | 6.60 | 6.16 | 5.12 | 6.12 | |
| | USART1 | independent clock domain | 7.62 | 7.12 | 5.89 | 6.90 | |
| USART2 | independent clock domain | 7.37 | 6.86 | 5.70 | 6.72 | | |
| USART3 | independent clock domain | 7.98 | 7.44 | 6.17 | 8.21 | | |
| All | - | | 369.00 | 316.04 | 266.18 | 325.00 | µA/MHz |

5.3.6 Wakeup time from low-power modes and voltage scaling transition times

The wakeup times given in [Table 39](#) are the latency between the event and the execution of the first user instruction.

The device goes in low-power mode after the WFE (Wait For Event) instruction.

Table 39. Low-power mode wakeup timings⁽¹⁾

| Symbol | Parameter | Conditions | | Typ | Max | Unit |
|---------------------------|--|--|--|-------|-------|------------------|
| t _{WUSLEEP} | Wakeup time from Sleep mode to Run mode | - | | 11 | 12 | Nb of CPU cycles |
| t _{WULPSLEEP} | Wakeup time from Low-power sleep mode to Low-power run mode | - | | 10 | 11 | |
| t _{WUSTOP0} | Wake up time from Stop 0 mode to Run mode in Flash | Range 1 | Wakeup clock HSI16 = 16 MHz | 5.8 | 6 | μs |
| | | Range 2 | Wakeup clock HSI16 = 16 MHz | 18.4 | 19.1 | |
| | Wake up time from Stop 0 mode to Run mode in SRAM1 | Range 1 | Wakeup clock HSI16 = 16 MHz | 2.8 | 3 | |
| | | Range 2 | Wakeup clock HSI16 = 16 MHz | 2.9 | 3 | |
| t _{WUSTOP1} | Wake up time from Stop 1 mode to Run in Flash | Range 1 | Wakeup clock HSI16 = 16 MHz | 9.5 | 9.8 | |
| | | Range 2 | Wakeup clock HSI16 = 16 MHz | 21.9 | 22.7 | |
| | Wake up time from Stop 1 mode to Run mode in SRAM1 | Range 1 | Wakeup clock HSI16 = 16 MHz | 6.6 | 6.9 | |
| | | Range 2 | Wakeup clock HSI16 = 16 MHz | 6.4 | 6.6 | |
| | Wake up time from Stop 1 mode to Low-power run mode in Flash | Regulator in low-power mode (LPR=1 in PWR_CR1) | Wakeup clock HSI16 = 16 MHz, with HPRE = 8 | 26.1 | 27.1 | |
| | Wake up time from Stop 1 mode to Low-power run mode in SRAM1 | | | 14.4 | 15 | |
| t _{WUSTBY} | Wakeup time from Standby mode to Run mode | Range 1 | Wakeup clock HSI16 = 16 MHz | 29.7 | 33.8 | |
| t _{WUSTBY SRAM2} | Wakeup time from Standby with SRAM2 to Run mode | Range 1 | Wakeup clock HSI16 = 16 MHz | 29.7 | 33.5 | |
| t _{WUSHDN} | Wakeup time from Shutdown mode to Run mode | Range 1 | Wakeup clock HSI16 = 16 MHz | 267.9 | 274.6 | |
| t _{WULPRUN} | Wakeup time from Low-power run mode to Run mode ⁽²⁾ | Wakeup clock HSI16 = 16 MHz with HPRE = 8 | | 5 | 7 | |

1. Guaranteed by characterization results.
2. Time until REGLPF flag is cleared in PWR_SR2.

Table 40. Regulator modes transition times⁽¹⁾

| Symbol | Parameter | Conditions | Typ | Max | Unit |
|------------|--|---|-----|-----|---------|
| t_{VOST} | Regulator transition time from Range 2 to Range 1 or Range 1 to Range 2 ⁽²⁾ | Wakeup clock HSI16 = 16 MHz with HPRE = 8 | 20 | 40 | μ s |

1. Guaranteed by characterization results.
2. Time until VOSF flag is cleared in PWR_SR2.

Table 41. Wakeup time using USART/LPUART⁽¹⁾

| Symbol | Parameter | Conditions | Typ | Max | Unit |
|---------------------------------|--|-------------|-----|-----|---------|
| $t_{WUUSART}$ $t_{WULPUART}$ | Wakeup time needed to calculate the maximum USART/LPUART baudrate allowing to wakeup up from stop mode when USART/LPUART clock source is HSI16 | Stop 0 mode | - | 1.7 | μ s |
| | | Stop 1 mode | - | 8.5 | |

1. Guaranteed by design.

5.3.7 External clock source characteristics

High-speed external user clock generated from an external source

In bypass mode the HSE oscillator is switched off and the input pin is a standard GPIO.

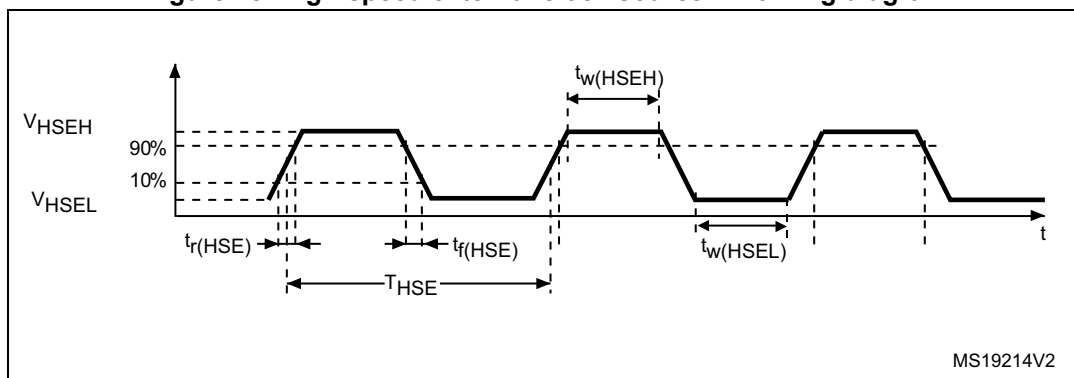
The external clock signal has to respect the I/O characteristics in [Section 5.3.14](#). However, the recommended clock input waveform is shown in [Figure 18: High-speed external clock source AC timing diagram](#).

Table 42. High-speed external user clock characteristics⁽¹⁾

| Symbol | Parameter | Conditions | Min | Typ | Max | Unit |
|--------------------------------|--------------------------------------|-------------------------|--------------|-----|--------------|------|
| f_{HSE_ext} | User external clock source frequency | Voltage scaling Range 1 | - | 8 | 48 | MHz |
| | | Voltage scaling Range 2 | - | 8 | 26 | |
| V_{HSEH} | OSC_IN input pin high level voltage | - | $0.7 V_{DD}$ | - | V_{DD} | V |
| V_{HSEL} | OSC_IN input pin low level voltage | - | V_{SS} | - | $0.3 V_{DD}$ | |
| $t_{w(HSEH)}$ $t_{w(HSEL)}$ | OSC_IN high or low time | Voltage scaling Range 1 | 7 | - | - | ns |
| | | Voltage scaling Range 2 | 18 | - | - | |

1. Guaranteed by design.

Figure 18. High-speed external clock source AC timing diagram



Low-speed external user clock generated from an external source

In bypass mode the LSE oscillator is switched off and the input pin is a standard GPIO.

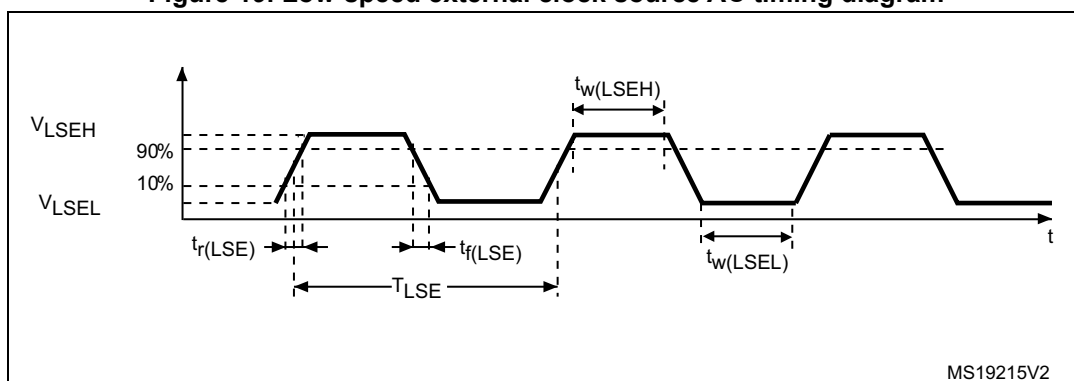
The external clock signal has to respect the I/O characteristics in Section 5.3.14. However, the recommended clock input waveform is shown in Figure 19.

Table 43. Low-speed external user clock characteristics⁽¹⁾

| Symbol | Parameter | Conditions | Min | Typ | Max | Unit |
|----------------------------|---------------------------------------|------------|--------------|--------|--------------|------|
| f_{LSE_ext} | User external clock source frequency | - | - | 32.768 | 1000 | kHz |
| V_{LSEH} | OSC32_IN input pin high level voltage | - | $0.7 V_{DD}$ | - | V_{DD} | V |
| V_{LSEL} | OSC32_IN input pin low level voltage | - | V_{SS} | - | $0.3 V_{DD}$ | |
| $t_w(LSEH)$ $t_w(LSEL)$ | OSC32_IN high or low time | - | 250 | - | - | ns |

1. Guaranteed by design.

Figure 19. Low-speed external clock source AC timing diagram



High-speed external clock generated from a crystal/ceramic resonator

The high-speed external (HSE) clock can be supplied with a 4 to 48 MHz crystal/ceramic resonator oscillator. All the information given in this paragraph are based on design simulation results obtained with typical external components specified in [Table 44](#). In the application, the resonator and the load capacitors have to be placed as close as possible to the oscillator pins in order to minimize output distortion and startup stabilization time. Refer to the crystal resonator manufacturer for more details on the resonator characteristics (frequency, package, accuracy).

Table 44. HSE oscillator characteristics⁽¹⁾

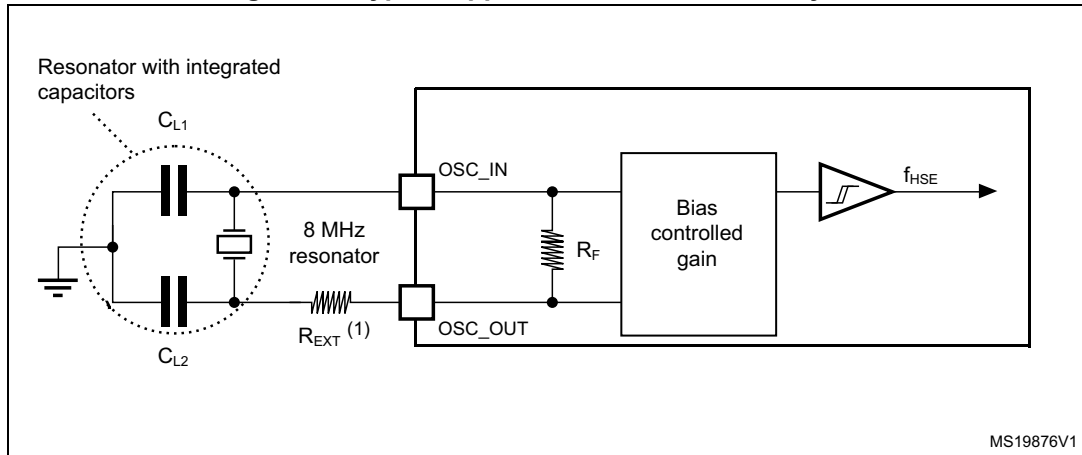
| Symbol | Parameter | Conditions ⁽²⁾ | Min | Typ | Max | Unit |
|---------------------|---|--|-----|------|-----|------------|
| f_{OSC_IN} | Oscillator frequency | - | 4 | 8 | 48 | MHz |
| R_F | Feedback resistor | - | - | 200 | - | k Ω |
| $I_{DD(HSE)}$ | HSE current consumption | During startup ⁽³⁾ | - | - | 5.5 | mA |
| | | $V_{DD} = 3\text{ V}$, $R_m = 30\ \Omega$, $CL = 10\text{ pF}@8\text{ MHz}$ | - | 0.44 | - | |
| | | $V_{DD} = 3\text{ V}$, $R_m = 45\ \Omega$, $CL = 10\text{ pF}@8\text{ MHz}$ | - | 0.45 | - | |
| | | $V_{DD} = 3\text{ V}$, $R_m = 30\ \Omega$, $CL = 5\text{ pF}@48\text{ MHz}$ | - | 0.68 | - | |
| | | $V_{DD} = 3\text{ V}$, $R_m = 30\ \Omega$, $CL = 10\text{ pF}@48\text{ MHz}$ | - | 0.94 | - | |
| | | $V_{DD} = 3\text{ V}$, $R_m = 30\ \Omega$, $CL = 20\text{ pF}@48\text{ MHz}$ | - | 1.77 | - | |
| G_m | Maximum critical crystal transconductance | Startup | - | - | 1.5 | mA/V |
| $t_{SU(HSE)}^{(4)}$ | Startup time | V_{DD} is stabilized | - | 2 | - | ms |

1. Guaranteed by design.
2. Resonator characteristics given by the crystal/ceramic resonator manufacturer.
3. This consumption level occurs during the first 2/3 of the $t_{SU(HSE)}$ startup time
4. $t_{SU(HSE)}$ is the startup time measured from the moment it is enabled (by software) to a stabilized 8 MHz oscillation is reached. This value is measured for a standard crystal resonator and it can vary significantly with the crystal manufacturer

For C_{L1} and C_{L2} , it is recommended to use high-quality external ceramic capacitors in the 5 pF to 20 pF range (typ.), designed for high-frequency applications, and selected to match the requirements of the crystal or resonator (see [Figure 20](#)). C_{L1} and C_{L2} are usually the same size. The crystal manufacturer typically specifies a load capacitance which is the series combination of C_{L1} and C_{L2} . PCB and MCU pin capacitance must be included (10 pF can be used as a rough estimate of the combined pin and board capacitance) when sizing C_{L1} and C_{L2} .

Note: For information on selecting the crystal, refer to the application note AN2867 “Oscillator design guide for ST microcontrollers” available from the ST website www.st.com.

Figure 20. Typical application with an 8 MHz crystal



1. R_{EXT} value depends on the crystal characteristics.

Low-speed external clock generated from a crystal resonator

The low-speed external (LSE) clock can be supplied with a 32.768 kHz crystal resonator oscillator. All the information given in this paragraph are based on design simulation results obtained with typical external components specified in [Table 45](#). In the application, the resonator and the load capacitors have to be placed as close as possible to the oscillator pins in order to minimize output distortion and startup stabilization time. Refer to the crystal resonator manufacturer for more details on the resonator characteristics (frequency, package, accuracy).

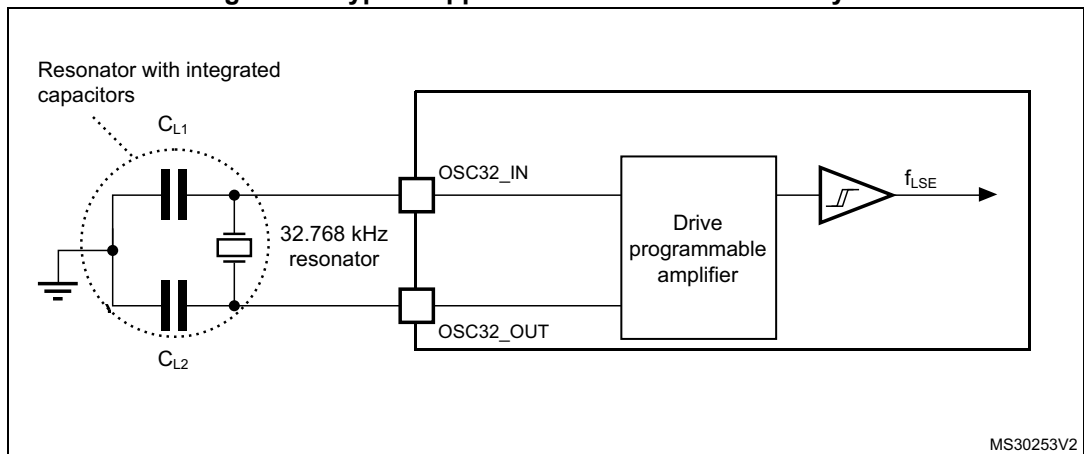
Table 45. LSE oscillator characteristics ($f_{LSE} = 32.768 \text{ kHz}$)⁽¹⁾

| Symbol | Parameter | Conditions ⁽²⁾ | Min | Typ | Max | Unit |
|------------------------------|-----------------------------|--|-----|-----|------|-----------|
| $I_{DD(LSE)}$ | LSE current consumption | LSEDRV[1:0] = 00 Low drive capability | - | 250 | - | nA |
| | | LSEDRV[1:0] = 01 Medium low drive capability | - | 315 | - | |
| | | LSEDRV[1:0] = 10 Medium high drive capability | - | 500 | - | |
| | | LSEDRV[1:0] = 11 High drive capability | - | 630 | - | |
| $G_{m_{critmax}}$ | Maximum critical crystal gm | LSEDRV[1:0] = 00 Low drive capability | - | - | 0.5 | $\mu A/V$ |
| | | LSEDRV[1:0] = 01 Medium low drive capability | - | - | 0.75 | |
| | | LSEDRV[1:0] = 10 Medium high drive capability | - | - | 1.7 | |
| | | LSEDRV[1:0] = 11 High drive capability | - | - | 2.7 | |
| $t_{SU(LSE)}$ ⁽³⁾ | Startup time | V_{DD} is stabilized | - | 2 | - | s |

1. Guaranteed by design.
2. Refer to the note and caution paragraphs below the table, and to the application note AN2867 "Oscillator design guide for ST microcontrollers".
3. $t_{SU(LSE)}$ is the startup time measured from the moment it is enabled (by software) to a stabilized 32.768 kHz oscillation is reached. This value is measured for a standard crystal and it can vary significantly with the crystal manufacturer

Note: For information on selecting the crystal, refer to the application note AN2867 "Oscillator design guide for ST microcontrollers" available from the ST website www.st.com.

Figure 21. Typical application with a 32.768 kHz crystal



Note: An external resistor is not required between OSC32_IN and OSC32_OUT and it is forbidden to add one.

5.3.8 Internal clock source characteristics

The parameters given in [Table 46](#) are derived from tests performed under ambient temperature and supply voltage conditions summarized in [Table 17: General operating conditions](#). The provided curves are characterization results, not tested in production.

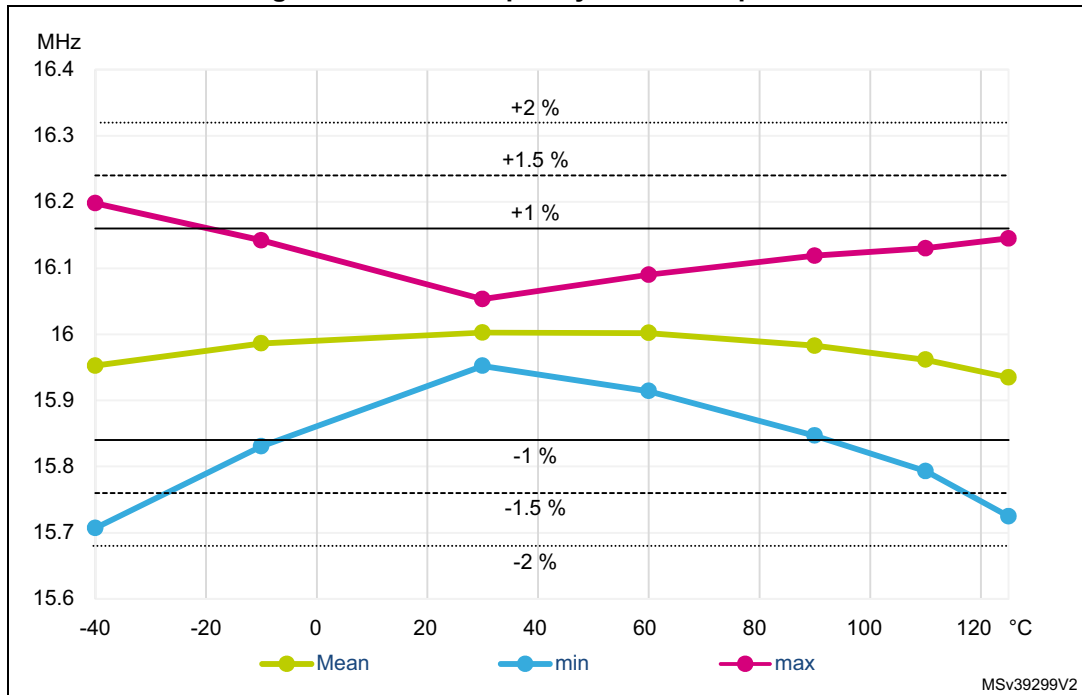
High-speed internal (HSI16) RC oscillator

Table 46. HSI16 oscillator characteristics⁽¹⁾

| Symbol | Parameter | Conditions | Min | Typ | Max | Unit |
|---------------------------------------|---|--|-------|-----|-------|---------------|
| f_{HSI16} | HSI16 Frequency | $V_{\text{DD}}=3.0\text{ V}$, $T_{\text{A}}=30\text{ °C}$ | 15.88 | - | 16.08 | MHz |
| TRIM | HSI16 user trimming step | Trimming code is not a multiple of 64 | 0.2 | 0.3 | 0.4 | % |
| | | Trimming code is a multiple of 64 | -4 | -6 | -8 | |
| $\text{DuCy}(\text{HSI16})^{(2)}$ | Duty Cycle | - | 45 | - | 55 | % |
| $\Delta_{\text{Temp}}(\text{HSI16})$ | HSI16 oscillator frequency drift over temperature | $T_{\text{A}}=0\text{ to }85\text{ °C}$ | -1 | - | 1 | % |
| | | $T_{\text{A}}=-40\text{ to }125\text{ °C}$ | -2 | - | 1.5 | % |
| $\Delta_{\text{VDD}}(\text{HSI16})$ | HSI16 oscillator frequency drift over V_{DD} | $V_{\text{DD}}=1.62\text{ V to }3.6\text{ V}$ | -0.1 | - | 0.05 | % |
| $t_{\text{su}}(\text{HSI16})^{(2)}$ | HSI16 oscillator start-up time | - | - | 0.8 | 1.2 | μs |
| $t_{\text{stab}}(\text{HSI16})^{(2)}$ | HSI16 oscillator stabilization time | - | - | 3 | 5 | μs |
| $I_{\text{DD}}(\text{HSI16})^{(2)}$ | HSI16 oscillator power consumption | - | - | 155 | 190 | μA |

1. Guaranteed by characterization results.
2. Guaranteed by design.

Figure 22. HSI16 frequency versus temperature



High-speed internal 48 MHz (HSI48) RC oscillator

Table 47. HSI48 oscillator characteristics⁽¹⁾

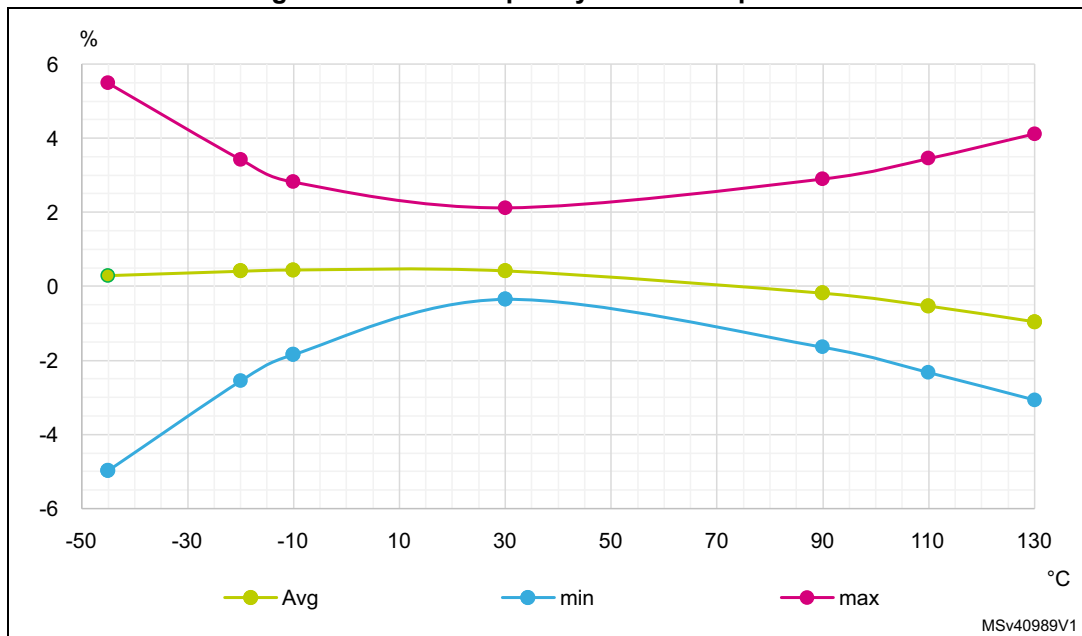
| Symbol | Parameter | Conditions | Min | Typ | Max | Unit |
|--------------------|--|--|------------------------|--------------------------|--------------------------|---------|
| f_{HSI48} | HSI48 Frequency | $V_{DD}=3.0V, T_A=30^{\circ}C$ | - | 48 | - | MHz |
| TRIM | HSI48 user trimming step | - | - | 0.11 ⁽²⁾ | 0.18 ⁽²⁾ | % |
| USER TRIM COVERAGE | HSI48 user trimming coverage | ± 32 steps | ± 3 ⁽³⁾ | ± 3.5 ⁽³⁾ | - | % |
| DuCy(HSI48) | Duty Cycle | - | 45 ⁽²⁾ | - | 55 ⁽²⁾ | % |
| ACC_{HSI48_REL} | Accuracy of the HSI48 oscillator over temperature (factory calibrated) | $V_{DD} = 3.0 V$ to $3.6 V$, $T_A = -15$ to $85^{\circ}C$ | - | - | ± 3 ⁽³⁾ | % |
| | | $V_{DD} = 1.65 V$ to $3.6 V$, $T_A = -40$ to $125^{\circ}C$ | - | - | ± 4.5 ⁽³⁾ | |
| $D_{VDD}(HSI48)$ | HSI48 oscillator frequency drift with V_{DD} | $V_{DD} = 3 V$ to $3.6 V$ | - | 0.025 ⁽³⁾ | 0.05 ⁽³⁾ | % |
| | | $V_{DD} = 1.65 V$ to $3.6 V$ | - | 0.05 ⁽³⁾ | 0.1 ⁽³⁾ | |
| $t_{su}(HSI48)$ | HSI48 oscillator start-up time | - | - | 2.5 ⁽²⁾ | 6 ⁽²⁾ | μs |
| $I_{DD}(HSI48)$ | HSI48 oscillator power consumption | - | - | 340 ⁽²⁾ | 380 ⁽²⁾ | μA |

Table 47. HSI48 oscillator characteristics⁽¹⁾ (continued)

| Symbol | Parameter | Conditions | Min | Typ | Max | Unit |
|-----------------------|--|------------|-----|------------------------|-----|------|
| N _T jitter | Next transition jitter Accumulated jitter on 28 cycles ⁽⁴⁾ | - | - | +/-0.15 ⁽²⁾ | - | ns |
| P _T jitter | Paired transition jitter Accumulated jitter on 56 cycles ⁽⁴⁾ | - | - | +/-0.25 ⁽²⁾ | - | ns |

1. V_{DD} = 3 V, T_A = -40 to 125 °C unless otherwise specified.
2. Guaranteed by design.
3. Guaranteed by characterization results.
4. Jitter measurement are performed without clock source activated in parallel.

Figure 23. HSI48 frequency versus temperature



Low-speed internal (LSI) RC oscillator

Table 48. LSI oscillator characteristics⁽¹⁾

| Symbol | Parameter | Conditions | Min | Typ | Max | Unit |
|--------------------------------------|------------------------------|--|-------|-----|-------|------|
| f _{LSI} | LSI Frequency | V _{DD} = 3.0 V, T _A = 30 °C | 31.04 | - | 32.96 | kHz |
| | | V _{DD} = 1.62 to 3.6 V, T _A = -40 to 125 °C | 29.5 | - | 34 | |
| t _{SU(} LSI) ⁽²⁾ | LSI oscillator start-up time | - | - | 80 | 130 | µs |

Table 48. LSI oscillator characteristics⁽¹⁾ (continued)

| Symbol | Parameter | Conditions | Min | Typ | Max | Unit |
|--|-----------------------------------|-----------------------|-----|-----|-----|------|
| t _{STAB} (LSI) ⁽²⁾ | LSI oscillator stabilization time | 5% of final frequency | - | 125 | 180 | μs |
| I _{DD} (LSI) ⁽²⁾ | LSI oscillator power consumption | - | - | 110 | 180 | nA |

1. Guaranteed by characterization results.
2. Guaranteed by design.

5.3.9 PLL characteristics

The parameters given in [Table 49](#) are derived from tests performed under temperature and V_{DD} supply voltage conditions summarized in [Table 17: General operating conditions](#).

Table 49. PLL characteristics⁽¹⁾

| Symbol | Parameter | Conditions | Min | Typ | Max | Unit |
|------------------------|---|------------------------------------|--------|------|-----|------|
| f _{PLL_IN} | PLL input clock ⁽²⁾ | - | 2.66 | - | 16 | MHz |
| | PLL input clock duty cycle | - | 45 | - | 55 | % |
| f _{PLL_P_OUT} | PLL multiplier output clock P | Voltage scaling Range 1 Boost mode | 2.0645 | - | 170 | MHz |
| | | Voltage scaling Range 1 | 2.0645 | - | 150 | |
| | | Voltage scaling Range 2 | 2.0645 | - | 26 | |
| f _{PLL_Q_OUT} | PLL multiplier output clock Q | Voltage scaling Range 1 Boost mode | 8 | - | 170 | |
| | | Voltage scaling Range 1 | 8 | - | 150 | |
| | | Voltage scaling Range 2 | 8 | - | 26 | |
| f _{PLL_R_OUT} | PLL multiplier output clock R | Voltage scaling Range 1 Boost mode | 8 | - | 170 | |
| | | Voltage scaling Range 1 | 8 | - | 150 | |
| | | Voltage scaling Range 2 | 8 | - | 26 | |
| f _{VCO_OUT} | PLL VCO output | Voltage scaling Range 1 | 96 | - | 344 | |
| | | Voltage scaling Range 2 | 96 | - | 128 | |
| t _{LOCK} | PLL lock time | - | - | 15 | 40 | μs |
| Jitter | RMS cycle-to-cycle jitter | System clock 150 MHz | - | 28.6 | - | ±ps |
| | RMS period jitter | | - | 21.4 | - | |
| I _{DD} (PLL) | PLL power consumption on V _{DD} ⁽¹⁾ | VCO freq = 96 MHz | - | 200 | 260 | μA |
| | | VCO freq = 192 MHz | - | 300 | 380 | |
| | | VCO freq = 344 MHz | - | 520 | 650 | |

1. Guaranteed by design.
2. Take care of using the appropriate division factor M to obtain the specified PLL input clock values.

5.3.10 Flash memory characteristics

Table 50. Flash memory characteristics⁽¹⁾

| Symbol | Parameter | Conditions | Typ | Max | Unit |
|------------------|---|--------------------|---------------------|-------|---------|
| t_{prog} | 64-bit programming time | - | 81.7 | 83.35 | μs |
| t_{prog_row} | One row (32 double word) programming time | Normal programming | 2.61 | 2.7 | ms |
| | | Fast programming | 1.91 | 1.95 | |
| t_{prog_page} | One page (2 Kbytes) programming time | Normal programming | 20.91 | 21.34 | |
| | | Fast programming | 15.29 | 15.6 | |
| t_{ERASE} | Page (2 Kbytes) erase time | - | 22.02 | 24.47 | |
| t_{prog_bank} | One bank (256 Kbyte) programming time | Normal programming | 2.68 | 2.73 | |
| | | Fast programming | 1.96 | 2 | |
| t_{ME} | Mass erase time (one or two banks) | - | 22.13 | 24.6 | ms |
| I_{DD} | Average consumption from V_{DD} | Write mode | 3.5 | - | mA |
| | | Erase mode | 3.5 | - | |
| | Maximum current (peak) | Write mode | 7 (for 6 μs) | - | |
| | | Erase mode | 7 (for 67 μs) | - | |

1. Guaranteed by design.

Table 51. Flash memory endurance and data retention

| Symbol | Parameter | Conditions | Min ⁽¹⁾ | Unit |
|-----------|----------------|---|--------------------|---------|
| N_{END} | Endurance | $T_A = -40$ to $+105$ °C | 10 | kcycles |
| t_{RET} | Data retention | 1 kcycle ⁽²⁾ at $T_A = 85$ °C | 30 | Years |
| | | 1 kcycle ⁽²⁾ at $T_A = 105$ °C | 15 | |
| | | 1 kcycle ⁽²⁾ at $T_A = 125$ °C | 7 | |
| | | 10 kcycles ⁽²⁾ at $T_A = 55$ °C | 30 | |
| | | 10 kcycles ⁽²⁾ at $T_A = 85$ °C | 15 | |
| | | 10 kcycles ⁽²⁾ at $T_A = 105$ °C | 10 | |

1. Guaranteed by characterization results.

2. Cycling performed over the whole temperature range.

5.3.11 EMC characteristics

Susceptibility tests are performed on a sample basis during device characterization.

Functional EMS (electromagnetic susceptibility)

While a simple application is executed on the device (toggling 2 LEDs through I/O ports), the device is stressed by two electromagnetic events until a failure occurs. The failure is indicated by the LEDs:

- **Electrostatic discharge (ESD)** (positive and negative) is applied to all device pins until a functional disturbance occurs. This test is compliant with the IEC 61000-4-2 standard.
- **FTB: A Burst of Fast Transient voltage** (positive and negative) is applied to V_{DD} and V_{SS} through a 100 pF capacitor, until a functional disturbance occurs. This test is compliant with the IEC 61000-4-4 standard.

A device reset allows normal operations to be resumed.

The test results are given in [Table 52](#). They are based on the EMS levels and classes defined in application note AN1709.

Table 52. EMS characteristics

| Symbol | Parameter | Conditions | Level/Class |
|------------|---|---|-------------|
| V_{FESD} | Voltage limits to be applied on any I/O pin to induce a functional disturbance | $V_{DD} = 3.3\text{ V}$, $T_A = +25\text{ °C}$, $f_{HCLK} = 170\text{ MHz}$, conforming to IEC 61000-4-2 | 3B |
| V_{EFTB} | Fast transient voltage burst limits to be applied through 100 pF on V_{DD} and V_{SS} pins to induce a functional disturbance | $V_{DD} = 3.3\text{ V}$, $T_A = +25\text{ °C}$, $f_{HCLK} = 170\text{ MHz}$, conforming to IEC 61000-4-4 | 5A |

Designing hardened software to avoid noise problems

EMC characterization and optimization are performed at component level with a typical application environment and simplified MCU software. It should be noted that good EMC performance is highly dependent on the user application and the software in particular.

Therefore it is recommended that the user applies EMC software optimization and prequalification tests in relation with the EMC level requested for his application.

Software recommendations

The software flowchart must include the management of runaway conditions such as:

- Corrupted program counter
- Unexpected reset
- Critical Data corruption (control registers...)

Prequalification trials

Most of the common failures (unexpected reset and program counter corruption) can be reproduced by manually forcing a low state on the NRST pin or the Oscillator pins for 1 second.

To complete these trials, ESD stress can be applied directly on the device, over the range of specification values. When unexpected behavior is detected, the software can be hardened to prevent unrecoverable errors occurring (see application note AN1015).

Electromagnetic Interference (EMI)

The electromagnetic field emitted by the device are monitored while a simple application is executed (toggling 2 LEDs through the I/O ports). This emission test is compliant with IEC 61967-2 standard which specifies the test board and the pin loading.

Table 53. EMI characteristics

| Symbol | Parameter | Conditions | Monitored frequency band | Max vs. [f _{HSE} /f _{HCLK}] | Unit |
|------------------|------------|---|--------------------------|--|------|
| | | | | 8 MHz / 170 MHz | |
| S _{EMI} | Peak level | V _{DD} = 3.6 V, T _A = 25 °C, LQFP128 package compliant with IEC 61967-2 | 0.1 MHz to 30 MHz | 4 | dBμV |
| | | | 30 MHz to 130 MHz | 0 | |
| | | | 130 MHz to 1 GHz | 16 | |
| | | | 1 GHz to 2 GHz | 11 | |
| | | | EMI Level | 3.5 | - |

5.3.12 Electrical sensitivity characteristics

Based on three different tests (ESD, LU) using specific measurement methods, the device is stressed in order to determine its performance in terms of electrical sensitivity.

Electrostatic discharge (ESD)

Electrostatic discharges (a positive then a negative pulse separated by 1 second) are applied to the pins of each sample according to each pin combination. The sample size depends on the number of supply pins in the device (3 parts × (n+1) supply pins). This test conforms to the ANSI/JEDEC standard.

Table 54. ESD absolute maximum ratings

| Symbol | Ratings | Conditions | Class | Maximum value ⁽¹⁾ | Unit | |
|-----------------------|---|---|---------------------|------------------------------|------|---|
| V _{ESD(HBM)} | Electrostatic discharge voltage (human body model) | T _A = +25 °C, conforming to ANSI/ESDA/JEDEC JS-001 | 2 | 2000 | V | |
| V _{ESD(CDM)} | Electrostatic discharge voltage (charge device model) | T _A = +25 °C, conforming to ANSI/ESDA/JEDEC JS-002 | LQFP100 and LQFP128 | C1 | 250 | V |
| | | | LQFP80 | TBD | TBD | |
| | | | Other packages | C2a | 500 | |

1. Guaranteed by characterization results.



Static latch-up

Two complementary static tests are required on three parts to assess the latch-up performance:

- A supply overvoltage is applied to each power supply pin.
- A current injection is applied to each input, output and configurable I/O pin.

These tests are compliant with EIA/JESD 78E IC latch-up standard.

Table 55. Electrical sensitivities

| Symbol | Parameter | Conditions | Class |
|--------|-----------------------|------------------------------------|------------------|
| LU | Static latch-up class | TA = +125 °C conforming to JESD78E | Class II level A |

5.3.13 I/O current injection characteristics

As a general rule, current injection to the I/O pins, due to external voltage below V_{SS} or above V_{DD} (for standard, 3.3 V-capable I/O pins) should be avoided during normal product operation. However, in order to give an indication of the robustness of the microcontroller in cases when abnormal injection accidentally happens, susceptibility tests are performed on a sample basis during device characterization.

Functional susceptibility to I/O current injection

While a simple application is executed on the device, the device is stressed by injecting current into the I/O pins programmed in floating input mode. While current is injected into the I/O pin, one at a time, the device is checked for functional failures.

The failure is indicated by an out of range parameter: ADC error above a certain limit (higher than 5 LSB TUE), out of conventional limits of induced leakage current on adjacent pins (out of the -5 μ A/+0 μ A range) or other functional failure (for example reset occurrence or oscillator frequency deviation).

The characterization results are given in [Table 56](#).

Negative induced leakage current is caused by negative injection and positive induced leakage current is caused by positive injection.

Table 56. I/O current injection susceptibility

| Symbol | Description | Functional susceptibility | | Unit | |
|-----------------|-------------------------|--|--------------------|------|----|
| | | Negative injection | Positive injection | | |
| $I_{INJ}^{(1)}$ | Injected current on pin | All except TT_a, PF10, PB8-BOOT0, PC10 | -5 | NA | mA |
| | | PF10, PB8-BOOT0, PC10 | -0 | NA | |
| | | TT_a pins | -5 | 0 | |

1. Guaranteed by characterization.

5.3.14 I/O port characteristics

General input/output characteristics

Unless otherwise specified, the parameters given in [Table 57](#) are derived from tests performed under the conditions summarized in [Table 17: General operating conditions](#). All I/Os are designed as CMOS- and TTL-compliant.

Table 57. I/O static characteristics

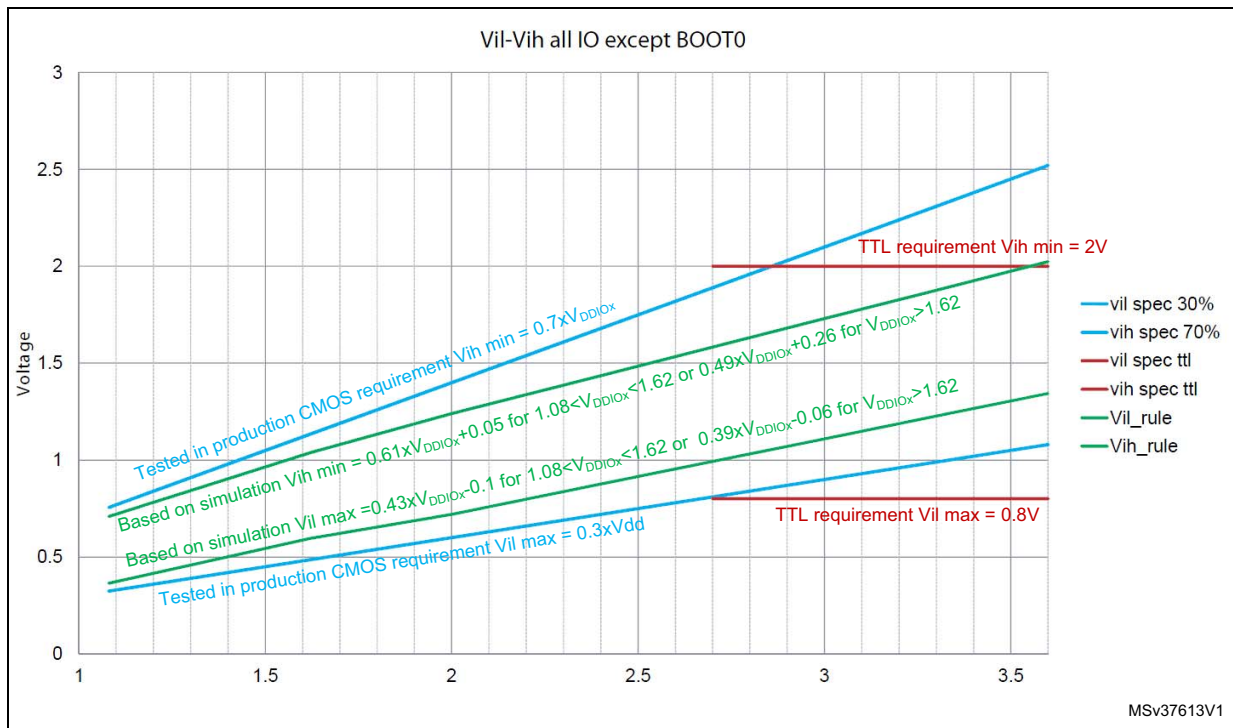
| Symbol | Parameter | Conditions | | Min | Typ | Max | Unit |
|-------------------|---|---------------------|--|--------------------------------------|-----|--------------------|------|
| $V_{IL}^{(1)(2)}$ | I/O input low level voltage | All except FT_c | 1.62 V < V_{DD} < 3.6 V | -- | -- | 0.3x V_{DD} | V |
| | | | 0.39x V_{DD} -0.06 ⁽³⁾ | | | | |
| | | FT_c | 2 V < V_{DD} < 2.7 V | - | - | 0.3x V_{DD} | |
| | | | 1.62 V < V_{DD} < 2.7 V | - | - | 0.2.5x V_{DD} | |
| $V_{IH}^{(1)(2)}$ | I/O input high level voltage | All except FT_c | 1.62 V < V_{DD} < 3.6 V | 0.7x V_{DD} | - | - | V |
| | | | | 0.49x V_{DD} + 0.26 ⁽³⁾ | - | - | |
| | | FT_c | 1.62 V < V_{DD} < 3.6 V | 0.7x V_{DD} | - | - | |
| $V_{HYS}^{(3)}$ | Input hysteresis | TT_xx, FT_xxx, NRST | 1.62 V < V_{DD} < 3.6 V | - | 200 | - | mV |
| I_{leak} | Input leakage current ⁽³⁾ | FT_xx except FT_c | $0 < V_{IN} \leq V_{DD}$ | - | - | ±100 | nA |
| | | | $V_{DD} \leq V_{IN} \leq V_{DD} + 1$ V | - | - | 650 ⁽⁴⁾ | |
| | | | $V_{DD} + 1$ V < $V_{IN} \leq 5.5$ V | - | - | 200 ⁽⁴⁾ | |
| | | FT_c | $0 \leq V_{IN} \leq V_{DDMAX}$ | - | - | 2000 | |
| | | | $V_{DD} \leq V_{IN} < 0.5$ V | - | - | 3000 | |
| | | FT_u, PC3 | $0 \leq V_{IN} \leq V_{DD}$ | - | - | ±150 | |
| | | | $V_{DD} \leq V_{IN} \leq V_{DD} + 1$ V | - | - | ±2500 | |
| | | | $V_{DD} \leq V_{IN} \leq 5.5$ V | - | - | ±250 | |
| | | FT_d | $0 \leq V_{IN} \leq V_{DD}$ | - | - | ±4500 | |
| | | | $V_{DD} + 1$ V < $V_{IN} \leq 5.5$ V | - | - | ±9000 | |
| TT_xx | $0 \leq V_{IN} \leq V_{DD}$ | - | - | ±150 | | | |
| | $V_{DD} \leq V_{IN} \leq 3.6$ V | - | - | 2000 | | | |
| R_{PU} | Weak pull-up equivalent resistor ⁽⁵⁾ | $V_{IN} = V_{SS}$ | | 25 | 40 | 55 | kΩ |
| R_{PD} | Weak pull-down equivalent resistor ⁽⁵⁾ | $V_{IN} = V_{DD}$ | | 25 | 40 | 55 | |
| C_{IO} | I/O pin capacitance | I/O pin capacitance | - | - | 5 | - | pF |

1. Refer to [Figure 24: I/O input characteristics](#)

2. Data based on characterization results, not tested in production
3. Guaranteed by design.
4. This value represents the pad leakage of the I/O itself. The total product pad leakage is provided by this formula:
 $I_{Total_leak_max} = 10 \mu A + [\text{number of I/Os where VIN is applied on the pad}] \times I_{lk}(Max)$.
5. Pull-up and pull-down resistors are designed with a true resistance in series with a switchable PMOS/NMOS. This PMOS/NMOS contribution to the series resistance is minimal (~10% order).

All I/Os are CMOS- and TTL-compliant (no software configuration required). Their characteristics cover more than the strict CMOS-technology or TTL parameters. The coverage of these requirements is shown in [Figure 24](#) for standard I/Os, and in [Figure 24](#) for 5 V tolerant I/Os.

Figure 24. I/O input characteristics



Output driving current

The GPIOs (general purpose input/outputs) can sink or source up to ±8 mA, and sink or source up to ± 20 mA (with a relaxed V_{OL}/V_{OH}).

In the user application, the number of I/O pins which can drive current must be limited to respect the absolute maximum rating specified in [Section 5.2](#):

- The sum of the currents sourced by all the I/Os on V_{DD}, plus the maximum consumption of the MCU sourced on V_{DD}, cannot exceed the absolute maximum rating ΣI_{VDD} (see [Table 14: Voltage characteristics](#)).
- The sum of the currents sunk by all the I/Os on V_{SS}, plus the maximum consumption of the MCU sunk on V_{SS}, cannot exceed the absolute maximum rating ΣI_{VSS} (see [Table 14: Voltage characteristics](#)).

Output voltage levels

Unless otherwise specified, the parameters given in the table below are derived from tests performed under the ambient temperature and supply voltage conditions summarized in [Table 17: General operating conditions](#). All I/Os are CMOS- and TTL-compliant (FT OR TT unless otherwise specified).

Table 58. Output voltage characteristics⁽¹⁾⁽²⁾

| Symbol | Parameter | Conditions | Min | Max | Unit |
|-------------------|---|---|---------------|-----|------|
| $V_{OL}^{(3)}$ | Output low level voltage for an I/O pin | CMOS port $ I_{IO} = 2 \text{ mA}$ for FT_c I/Os = 8 mA for other I/Os $V_{DD} \geq 2.7 \text{ V}$ | - | 0.4 | V |
| $V_{OH}^{(3)}$ | Output high level voltage for an I/O pin | | $V_{DD}-0.4$ | - | |
| $V_{OL}^{(3)}$ | Output low level voltage for an I/O pin | TTL port $ I_{IO} = 2 \text{ mA}$ for FT_c I/Os = 8 mA for other I/Os $V_{DD} \geq 2.7 \text{ V}$ | - | 0.4 | |
| $V_{OH}^{(3)}$ | Output high level voltage for an I/O pin | | 2.4 | - | |
| $V_{OL}^{(3)}$ | Output low level voltage for an I/O pin | All I/Os except FT_c $ I_{IO} = 20 \text{ mA}$ $V_{DD} \geq 2.7 \text{ V}$ | - | 1.3 | |
| $V_{OH}^{(3)}$ | Output high level voltage for an I/O pin | | $V_{DD}-1.3$ | - | |
| $V_{OL}^{(3)}$ | Output low level voltage for an I/O pin | $ I_{IO} = 1 \text{ mA}$ for FT_c I/Os = 4 mA for other I/Os $V_{DD} \geq 1.62 \text{ V}$ | - | 0.4 | |
| $V_{OH}^{(3)}$ | Output high level voltage for an I/O pin | | $V_{DD}-0.45$ | - | |
| $V_{OLFM+}^{(3)}$ | Output low level voltage for an FT I/O pin in FM+ mode (FT I/O with "F" option) | $ I_{IO} = 20 \text{ mA}$ $V_{DD} \geq 2.7 \text{ V}$ | - | 0.4 | |
| | | $ I_{IO} = 10 \text{ mA}$ $V_{DD} \geq 1.62 \text{ V}$ | - | 0.4 | |

1. The I_{IO} current sourced or sunk by the device must always respect the absolute maximum rating specified in [Table 14: Voltage characteristics](#), and the sum of the currents sourced or sunk by all the I/Os (I/O ports and control pins) must always respect the absolute maximum ratings ΣI_{IO} .
2. TTL and CMOS outputs are compatible with JEDEC standards JESD36 and JESD52.
3. Guaranteed by design.

Input/output AC characteristics

The definition and values of input/output AC characteristics are given in [Figure 25](#) and [Table 59](#), respectively.

Unless otherwise specified, the parameters given are derived from tests performed under the ambient temperature and supply voltage conditions summarized in [Table 17: General operating conditions](#).

Table 59. I/O (except FT_c) AC characteristics^{(1) (2)}

| Speed | Symbol | Parameter | Conditions | Min | Max | Unit |
|-------|--------|--|---|-----|--------------------|------|
| 00 | Fmax | Maximum frequency | C=50 pF, 2.7 V ≤ V _{DD} ≤ 3.6 V | - | 5 | MHz |
| | | | C=50 pF, 1.62 V ≤ V _{DD} ≤ 2.7 V | - | 1 | |
| | | | C=10 pF, 2.7 V ≤ V _{DD} ≤ 3.6 V | - | 10 | |
| | | | C=10 pF, 1.62 V ≤ V _{DD} ≤ 2.7 V | - | 1.5 | |
| | Tr/Tf | Output rise and fall time | C=50 pF, 2.7 V ≤ V _{DD} ≤ 3.6 V | - | 25 | ns |
| | | | C=50 pF, 1.62 V ≤ V _{DD} ≤ 2.7 V | - | 52 | |
| | | | C=10 pF, 2.7 V ≤ V _{DD} ≤ 3.6 V | - | 17 | |
| | | | C=10 pF, 1.62 V ≤ V _{DD} ≤ 2.7 V | - | 37 | |
| 01 | Fmax | Maximum frequency | C=50 pF, 2.7 V ≤ V _{DD} ≤ 3.6 V | - | 25 | MHz |
| | | | C=50 pF, 1.62 V ≤ V _{DD} ≤ 2.7 V | - | 10 | |
| | | | C=10 pF, 2.7 V ≤ V _{DD} ≤ 3.6 V | - | 50 | |
| | | | C=10 pF, 1.62 V ≤ V _{DD} ≤ 2.7 V | - | 15 | |
| | Tr/Tf | Output rise and fall time | C=50 pF, 2.7 V ≤ V _{DD} ≤ 3.6 V | - | 9 | ns |
| | | | C=50 pF, 1.62 V ≤ V _{DD} ≤ 2.7 V | - | 16 | |
| | | | C=10 pF, 2.7 V ≤ V _{DD} ≤ 3.6 V | - | 4.5 | |
| | | | C=10 pF, 1.62 V ≤ V _{DD} ≤ 2.7 V | - | 9 | |
| 10 | Fmax | Maximum frequency | C=50 pF, 2.7 V ≤ V _{DD} ≤ 3.6 V | - | 50 | MHz |
| | | | C=50 pF, 1.62 V ≤ V _{DD} ≤ 2.7 V | - | 25 | |
| | | | C=10 pF, 2.7 V ≤ V _{DD} ≤ 3.6 V | - | 100 ⁽³⁾ | |
| | | | C=10 pF, 1.62 V ≤ V _{DD} ≤ 2.7 V | - | 37.5 | |
| | Tr/Tf | Output rise and fall time | C=50 pF, 2.7 V ≤ V _{DD} ≤ 3.6 V | - | 5.8 | ns |
| | | | C=50 pF, 1.62 V ≤ V _{DD} ≤ 2.7 V | - | 11 | |
| | | | C=10 pF, 2.7 V ≤ V _{DD} ≤ 3.6 V | - | 2.5 | |
| | | | C=10 pF, 1.62 V ≤ V _{DD} ≤ 2.7 V | - | 5 | |
| 11 | Fmax | Maximum frequency | C=30 pF, 2.7 V ≤ V _{DD} ≤ 3.6 V | - | 120 ⁽³⁾ | MHz |
| | | | C=30 pF, 1.62 V ≤ V _{DD} ≤ 2.7 V | - | 50 | |
| | | | C=10 pF, 2.7 V ≤ V _{DD} ≤ 3.6 V | - | 180 ⁽³⁾ | |
| | | | C=10 pF, 1.62 V ≤ V _{DD} ≤ 2.7 V | - | 75 | |
| | Tr/Tf | Output rise and fall time ⁽⁴⁾ | C=30 pF, 2.7 V ≤ V _{DD} ≤ 3.6 V | - | 3.3 | ns |
| | | | C=30 pF, 1.62 V ≤ V _{DD} ≤ 2.7 V | - | 6 | |
| | | | C=10 pF, 2.7 V ≤ V _{DD} ≤ 3.6 V | - | 1.7 | |
| | | | C=10 pF, 1.62 V ≤ V _{DD} ≤ 2.7 V | - | 3.3 | |

Table 59. I/O (except FT_c) AC characteristics^{(1) (2)} (continued)

| Speed | Symbol | Parameter | Conditions | Min | Max | Unit |
|-------|----------------------|------------------------------------|--|-----|-----|------|
| FM+ | Fmax ⁽⁵⁾ | Maximum frequency | C=50 pF, 1.6 V ≤ V _{DD} ≤ 3.6 V | - | 1 | MHz |
| | Tr/TF ⁽⁴⁾ | Output high to low level fall time | | - | 5 | ns |

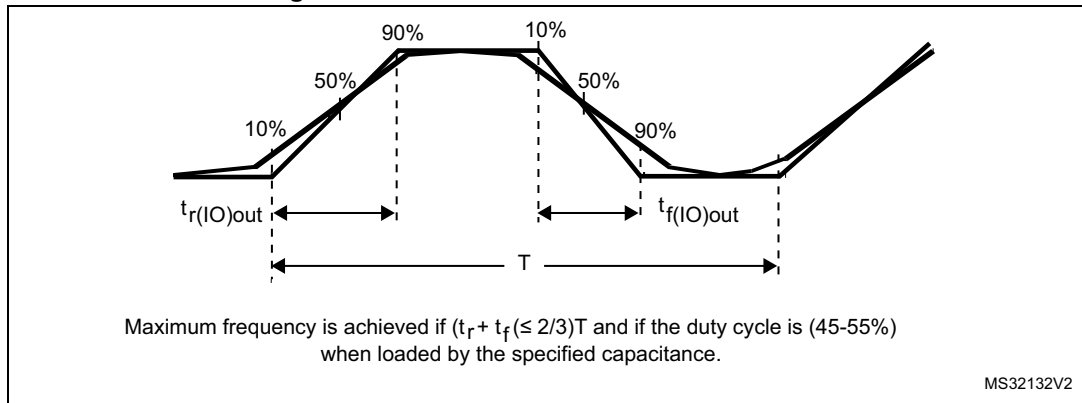
- The I/O speed is configured using the OSPEEDRy[1:0] bits. The Fm+ mode is configured in the SYSCFG_CFGR1 register. Refer to the reference manual RM0440 "STM32G4 Series advanced Arm®-based 32-bit MCUs" for a description of GPIO Port configuration register.
- Guaranteed by design.
- This value represented the I/O capability but maximum system frequency is 170 MHz.
- The fall time is defined between 70% and 30% of the output waveform accordingly to I2C specification.
- The maximum frequency is defined with the following conditions:
 - (Tr+ Tf) ≤ 2/3 T.
 - 45% < Duty cycle < 55%

Table 60. I/O FT_c AC characteristics^{(1) (2)}

| Speed | Symbol | Parameter | Conditions | Min | Max | Unit |
|-------|--------|-----------------------------------|--|-----|-----|------|
| 0 | Fmax | Maximum frequency | C=50 pF, 2.7 V ≤ V _{DD} ≤ 3.6 V | - | 2 | MHz |
| | | | C=50 pF, 1.6 V ≤ V _{DD} ≤ 2.7 V | - | 1 | |
| | Tr/Tf | Output H/L to L/H level fall time | C=50 pF, 2.7 V ≤ V _{DD} ≤ 3.6 V | - | 170 | ns |
| | | | C=50 pF, 1.6 V ≤ V _{DD} ≤ 2.7 V | - | 330 | |
| 1 | Fmax | Maximum frequency | C=50 pF, 2.7 V ≤ V _{DD} ≤ 3.6 V | - | 10 | MHz |
| | | | C=50 pF, 1.6 V ≤ V _{DD} ≤ 2.7 V | - | 5 | |
| | Tr/Tf | Output H/L to L/H level fall time | C=50 pF, 2.7 V ≤ V _{DD} ≤ 3.6 V | - | 35 | ns |
| | | | C=50 pF, 1.6 V ≤ V _{DD} ≤ 2.7 V | - | 65 | |

- The I/O speed is configured using the OSPEEDRy[1:0] bits. The Fm+ mode is configured in the SYSCFG_CFGR1 register. Refer to the reference manual RM0440 "STM32G4 Series advanced Arm®-based 32-bit MCUs" for a description of GPIO Port configuration register.
- Guaranteed by design.

Figure 25. I/O AC characteristics definition⁽¹⁾



1. Refer to [Table 59: I/O \(except FT_c\) AC characteristics](#).

5.3.15 NRST pin characteristics

The NRST pin input driver uses the CMOS technology. It is connected to a permanent pull-up resistor, R_{PU}.

Unless otherwise specified, the parameters given in the table below are derived from tests performed under the ambient temperature and supply voltage conditions summarized in [Table 17: General operating conditions](#).

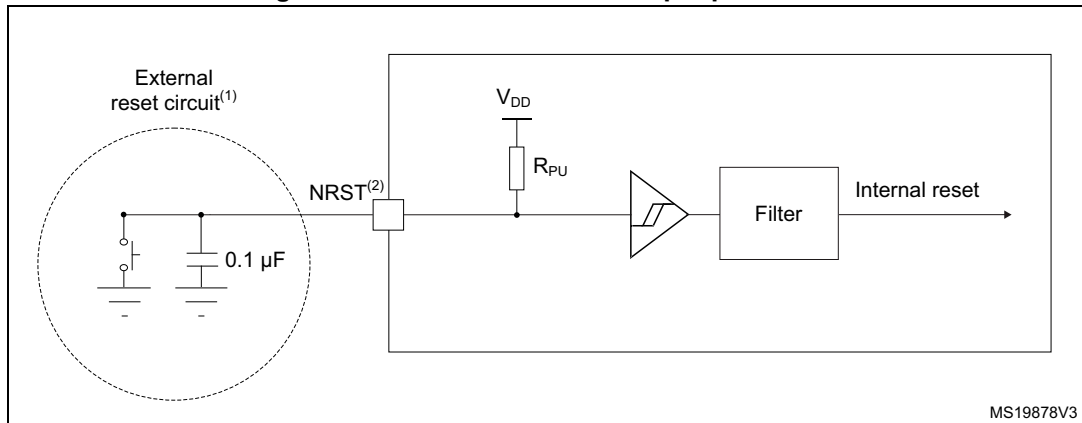
Table 61. NRST pin characteristics⁽¹⁾

| Symbol | Parameter | Conditions | Min | Typ | Max | Unit |
|------------------------|---|-----------------------------------|---------------------|-----|---------------------|------|
| V _{IL(NRST)} | NRST input low level voltage | - | - | - | 0.3×V _{DD} | V |
| V _{IH(NRST)} | NRST input high level voltage | - | 0.7×V _{DD} | - | - | |
| V _{hys(NRST)} | NRST Schmitt trigger voltage hysteresis | - | - | 200 | - | mV |
| R _{PU} | Weak pull-up equivalent resistor ⁽²⁾ | V _{IN} = V _{SS} | 25 | 40 | 55 | kΩ |
| V _{F(NRST)} | NRST input filtered pulse | - | - | - | 70 | ns |
| V _{NF(NRST)} | NRST input not filtered pulse | 1.71 V ≤ V _{DD} ≤ 3.6 V | 350 | - | - | ns |

1. Guaranteed by design.

2. The pull-up is designed with a true resistance in series with a switchable PMOS. This PMOS contribution to the series resistance is minimal (~10% order).

Figure 26. Recommended NRST pin protection



1. The reset network protects the device against parasitic resets.
2. The user must ensure that the level on the NRST pin can go below the $V_{IL(NRST)}$ max level specified in [Table 61: NRST pin characteristics](#). Otherwise the reset is not taken into account by the device.
3. The external capacitor on NRST must be placed as close as possible to the device.

5.3.16 High-resolution timer (HRTIM)

The parameters given in [Table 62](#) are derived from tests performed under ambient temperature and supply voltage conditions summarized in [Table 17](#).

Table 62. HRTIM characteristics⁽¹⁾

| Symbol | Parameter | Conditions | Min. | Typ. | Max. | Unit |
|-------------------------------|---------------------------------------|--|-------|------|--------|-------------|
| T_A | Timer ambient temperature range | $f_{HRTIM}=170$ MHz | -40 | - | 125 | °C |
| f_{HRTIM} | HRTIM input clock for DLL calibration | As per T_A conditions | - | - | 170 | MHz |
| t_{HRTIM} | | | 5.88 | - | - | ns |
| $t_{RES(HRTIM)}$ | high-resolution step size | $f_{HRTIM}=170$ MHz, T_A from -40 to 105°C | - | 184 | - | ps |
| Res_{HRTIM} | Timer resolution | - | - | - | 16 | bit |
| t_{DTG} | Dead time generator clock period | - | 0.125 | - | 16 | t_{HRTIM} |
| | | $f_{HRTIM}=170$ MHz | 0.735 | - | 94.1 | ns |
| $ t_{DTR} / t_{DTF} _{max}$ | Dead time range (absolute value) | - | - | - | 511 | t_{DTG} |
| f_{CHPFRQ} | Chopper stage clock frequency | $f_{HRTIM}=170$ MHz | - | - | 48.09 | µs |
| | | $f_{HRTIM}=170$ MHz | 1/256 | - | 1/16 | f_{HRTIM} |
| t_{1STPW} | Chopper first pulse length | $f_{HRTIM}=170$ MHz | 0.664 | - | 10.625 | MHz |
| | | $f_{HRTIM}=170$ MHz | 16 | - | 256 | t_{HRTIM} |
| t_{1STPW} | Chopper first pulse length | $f_{HRTIM}=170$ MHz | 0.094 | - | 1.506 | µs |

1. Data based on characterization results, not tested in production.

Table 63. HRTIM output response to fault protection⁽¹⁾

| Symbol | Parameter | Conditions | Min. | Typ. | Max. ⁽²⁾ | Unit |
|---------------|--------------------------------|--|------|------|---------------------|------|
| $t_{LAT(DF)}$ | Digital fault response latency | Propagation delay from HRTIM1_FLTx digital input to HRTIM_CHxy output pin | - | 9 | 20 | ns |
| $t_{W(FLT)}$ | Minimum Fault pulse width | - | 7 | - | - | |
| $t_{LAT(AF)}$ | Analog fault response latency | Propagation delay from comparator COMPx_INP input pin to HRTIM_CHxy output pin | - | 16 | 31 | |

1. Refer to Fault paragraph in HRTIM section of RM0440.
2. Data based on characterization results, not tested in production.

Table 64. HRTIM output response to external events 1 to 5 (Low-Latency mode⁽¹⁾)

| Symbol | Parameter | Conditions | Min | Typ ⁽²⁾ | Max ⁽²⁾ | Unit |
|-----------------|---|--|-----|--------------------|--------------------|------|
| $t_{LAT(DEEV)}$ | Digital external event response latency | Propagation delay from HRTIM1_EEVx digital input to HRTIM_CHxy output pin (30pF load) | - | 12 | 23 | ns |
| $t_{W(EEV)}$ | Minimum external event pulse width | - | 7 | - | - | |
| $t_{LAT(AEEV)}$ | Analog external event response latency | Propagation delay from comparator COMPx_INP input pin to HRTIM_CHxy output pin (30pF load) | - | 19 | 31 | |

1. EExFAST bit in HRTIM_EECR1 register is set (Low Latency mode). This functionality is available on external events channels 1 to 5. Refer to Latency to external events paragraph in HRTIM section of RM0440.
2. Data based on characterization results, not tested in production.

Table 65. HRTIM output response to external events 1 to 10 (Synchronous mode ⁽¹⁾)

| Symbol | Parameter | Conditions | Min. | Typ. | Max. ⁽²⁾ | Unit |
|-----------------|---|--|------|------|---------------------|----------------------------|
| $t_{LAT(EEV)}$ | Digital external event response latency | Propagation delay from HRTIM1_EEVx digital input to HRTIM_CHxy output pin (30pF load) ⁽³⁾ | - | 56 | 66 | ns |
| $t_{LAT(AEEV)}$ | Analog external event response latency | Propagation delay from COMPx_INP input pin to HRTIM_CHxy output pin (30pF load) ⁽³⁾ | - | 62 | 76 | ns |
| $t_{W(EEV)}$ | Minimum external event pulse width | - | 7 | - | - | ns |
| $T_{JIT(EEV)}$ | External event response jitter | Jitter of the delay from HRTIM1_EEVx digital input or COMPx_INP to HRTIM_CHxy output pin | - | - | 1 | t_{HRTIM} ⁽⁴⁾ |

1. EExFAST bit in HRTIM_EECR1 or HRTIM_EECR2 register is cleared (synchronous mode). External event filtering is disabled, i.e. EExF[3:0]=0000 in HRTIM_EECR2 register. Refer to Latency to external events paragraph in HRTIM section of RM0440.
2. Data based on characterization results, not tested in production.
3. This parameter is given for $f_{HRTIM} = 170$ MHz.
4. $T_{HRTIM} = 1 / f_{HRTIM}$ with $f_{HRTIM} = 170$ MHz.

Table 66. HRTIM synchronization input / output⁽¹⁾

| Symbol | Parameter | Conditions | Min. | Typ. | Max. | Unit |
|------------------|--|---------------------|------|------|------|-------------|
| $t_{W(SYNCIN)}$ | Minimum pulse width on SYNCIN inputs, including HRTIM_SCIN | - | 2 | - | - | t_{HRTIM} |
| $t_{RES(ESR)}$ | Response time to external synchronization request | - | - | - | 3 | t_{HRTIM} |
| $t_{W(SYNCOUT)}$ | Pulse width on HRTIM_SCOUT output | - | - | 16 | - | t_{HRTIM} |
| | | $f_{HRTIM}=170$ MHz | - | 94.1 | - | ns |

1. Guaranteed by design, not tested in production.

5.3.17 Extended interrupt and event controller input (EXTI) characteristics

The pulse on the interrupt input must have a minimal length in order to guarantee that it is detected by the event controller.

Table 67. EXTI input characteristics⁽¹⁾

| Symbol | Parameter | Conditions | Min | Typ | Max | Unit |
|--------|----------------------------------|------------|-----|-----|-----|------|
| PLEC | Pulse length to event controller | - | 20 | - | - | ns |

1. Guaranteed by design.

5.3.18 Analog switches booster

Table 68. Analog switches booster characteristics⁽¹⁾

| Symbol | Parameter | Min | Typ | Max | Unit |
|-----------------|--|------|-----|-----|---------|
| V_{DD} | Supply voltage | 1.62 | - | 3.6 | V |
| $t_{SU(BOOST)}$ | Booster startup time | - | - | 240 | μs |
| $I_{DD(BOOST)}$ | Booster consumption for $1.62 V \leq V_{DD} \leq 2.0 V$ | - | - | 250 | μA |
| | Booster consumption for $2.0 V \leq V_{DD} \leq 2.7 V$ | - | - | 500 | |
| | Booster consumption for $2.7 V \leq V_{DD} \leq 3.6 V$ | - | - | 900 | |

1. Guaranteed by design.

5.3.19 Analog-to-digital converter characteristics

Unless otherwise specified, the parameters given in [Table 69](#) are preliminary values derived from tests performed under ambient temperature, f_{PCLK} frequency and V_{DDA} supply voltage conditions summarized in [Table 17: General operating conditions](#).

Note: It is recommended to perform a calibration after each power-up.

Table 69. ADC characteristics^{(1) (2)}

| Symbol | Parameter | Conditions | Min | Typ | Max | Unit |
|-----------------|--------------------------------|---|--|--|----------------------------------|-------|
| V_{DDA} | Analog supply voltage | - | 1.62 | - | 3.6 | V |
| V_{REF+} | Positive reference voltage | $V_{DDA} \geq 2\text{ V}$ | 2 | - | V_{DDA} | V |
| | | $V_{DDA} < 2\text{ V}$ | V_{DDA} | | | V |
| V_{REF-} | Negative reference voltage | - | V_{SSA} | | | V |
| V_{CMIN} | Input common mode | Differential | $(V_{REF+}+V_{REF-})/2 - 0.18$ | $(V_{REF+} + V_{REF-})/2$ | $(V_{REF+} + V_{REF-})/2 + 0.18$ | V |
| f_{ADC} | ADC clock frequency | Range 1, single ADC operation | 0.14 | - | 60 | MHz |
| | | Range 2 | - | - | 26 | |
| | | Range 1, all ADCs operation, single ended mode $V_{DDA} \geq 2.7\text{ V}$ | 0.14 | - | 52 | |
| | | Range 1, all ADCs operation, single ended mode $V_{DDA} \geq 1.62\text{ V}$ | 0.14 | - | 42 | |
| | | Range 1, all ADCs operation, differential mode $V_{DDA} \geq 1.62\text{ V}$ | 0.14 | - | 56 | |
| f_s | Sampling rate, continuous mode | For given resolution and sampling time cycles (t_s) | 0.001 | $f_{ADC} / (\text{sampling time [cycles]} + \text{resolution [bits]} + 0.5)$ | | Msp/s |
| T_{TRIG} | External trigger period | Considering trigger conversion latency time (t_{LATR} or $t_{LATRINJ}$) | - | - | 1ms | - |
| | | Resolution = 12 bits, $f_{ADC}=60\text{ MHz}$ | $t_{conv} + [t_{LATR}$ or $t_{LATRINJ}]$ | - | | |
| $V_{AIN}^{(3)}$ | Conversion voltage range | - | 0 | - | V_{REF+} | V |

Table 69. ADC characteristics^{(1) (2)} (continued)

| Symbol | Parameter | Conditions | Min | Typ | Max | Unit |
|---------------------|---|--|--|-----|--------|------------------|
| $R_{AIN}^{(4)}$ | External input impedance | - | - | - | 50 | kΩ |
| C_{ADC} | Internal sample and hold capacitor | - | - | 5 | - | pF |
| t_{STAB} | Power-up time | - | 1 | | | conversion cycle |
| t_{CAL} | Calibration time | $f_{ADC} = 60$ MHz | 1.93 | | | μs |
| | | - | 116 | | | $1/f_{ADC}$ |
| t_{LATR} | Trigger conversion latency Regular and injected channels without conversion abort | CKMODE = 00 | 1.5 | 2 | 2.5 | $1/f_{ADC}$ |
| | | CKMODE = 01 | - | - | 2.0 | |
| | | CKMODE = 10 | - | - | 2.25 | |
| | | CKMODE = 11 | - | - | 2.125 | |
| $t_{LATRINJ}$ | Trigger conversion latency Injected channels aborting a regular conversion | CKMODE = 00 | 2.5 | 3 | 3.5 | $1/f_{ADC}$ |
| | | CKMODE = 01 | - | - | 3.0 | |
| | | CKMODE = 10 | - | - | 3.25 | |
| | | CKMODE = 11 | - | - | 3.125 | |
| t_s | Sampling time | $f_{ADC} = 60$ MHz | 0.0416 | - | 10.675 | μs |
| | | - | 2.5 | - | 640.5 | $1/f_{ADC}$ |
| $t_{ADCVREG_STUP}$ | ADC voltage regulator start-up time | - | - | - | 20 | μs |
| t_{CONV} | Total conversion time (including sampling time) | $f_{ADC} = 60$ MHz Resolution = 12 bits | 0.25 | - | 10.883 | μs |
| | | - | $t_s[\text{cycles}] + \text{resolution}[\text{bits}] + 0.5 = 15 \text{ to } 653$ | | | $1/f_{ADC}$ |
| $I_{DDA(ADC)}$ | ADC consumption from the V_{DDA} supply | $f_s = 4$ Msps | - | 590 | 730 | μA |
| | | $f_s = 1$ Msps | - | 160 | 220 | |
| | | $f_s = 10$ ksps | - | 16 | 50 | |
| $I_{DDV_S(ADC)}$ | ADC consumption from the V_{REF+} single ended mode | $f_s = 4$ Msps | - | 110 | 140 | μA |
| | | $f_s = 1$ Msps | - | 30 | 40 | |
| | | $f_s = 10$ ksps | - | 0.6 | 2 | |
| $I_{DDV_D(ADC)}$ | ADC consumption from the V_{REF+} differential mode | $f_s = 4$ Msps | - | 220 | 270 | μA |
| | | $f_s = 1$ Msps | - | 60 | 70 | |
| | | $f_s = 10$ ksps | - | 1.3 | 3 | |

1. Guaranteed by design

2. The I/O analog switch voltage booster is enabled when $V_{DDA} < 2.4\text{ V}$ (BOOSTEN = 1 in the SYSCFG_CFGR1 when $V_{DDA} < 2.4\text{ V}$). It is disabled when $V_{DDA} \geq 2.4\text{ V}$.
3. V_{REF+} can be internally connected to V_{DDA1} , depending on the package. Refer to [Section 4: Pinouts and pin description](#) for further details.
4. The maximum value of RAIN can be found in [Table 70: Maximum ADC RAIN](#).

The maximum value of R_{AIN} can be found in [Table 70: Maximum ADC \$R_{AIN}\$](#) .

Table 70. Maximum ADC R_{AIN} ⁽¹⁾⁽²⁾

| Resolution | Sampling cycle @60 MHz | Sampling time [ns] | R_{AIN} max (Ω) | |
|------------|------------------------|--------------------|------------------------------|------------------------------|
| | | | Fast channels ⁽³⁾ | Slow channels ⁽⁴⁾ |
| 12 bits | 2.5 | 41.67 | 100 | N/A |
| | 6.5 | 108.33 | 330 | 100 |
| | 12.5 | 208.33 | 680 | 470 |
| | 24.5 | 408.33 | 1500 | 1200 |
| | 47.5 | 791.67 | 2200 | 1800 |
| | 92.5 | 1541.67 | 4700 | 3900 |
| | 247.5 | 4125 | 12000 | 10000 |
| | 640.5 | 10675 | 39000 | 33000 |
| 10 bits | 2.5 | 41.67 | 120 | N/A |
| | 6.5 | 108.33 | 390 | 180 |
| | 12.5 | 208.33 | 820 | 560 |
| | 24.5 | 408.33 | 1500 | 1200 |
| | 47.5 | 791.67 | 2200 | 1800 |
| | 92.5 | 1541.67 | 5600 | 4700 |
| | 247.5 | 4125 | 12000 | 10000 |
| | 640.5 | 10675 | 47000 | 39000 |
| 8 bits | 2.5 | 41.67 | 180 | N/A |
| | 6.5 | 108.33 | 470 | 270 |
| | 12.5 | 208.33 | 1000 | 680 |
| | 24.5 | 408.33 | 1800 | 1500 |
| | 47.5 | 791.67 | 2700 | 2200 |
| | 92.5 | 1541.67 | 6800 | 5600 |
| | 247.5 | 4125 | 15000 | 12000 |
| | 640.5 | 10675 | 50000 | 50000 |
| 6 bits | 2.5 | 41.67 | 220 | N/A |
| | 6.5 | 108.33 | 560 | 330 |
| | 12.5 | 208.33 | 1200 | 1000 |
| | 24.5 | 408.33 | 2700 | 2200 |
| | 47.5 | 791.67 | 3900 | 3300 |
| | 92.5 | 1541.67 | 8200 | 6800 |
| | 247.5 | 4125 | 18000 | 15000 |
| | 640.5 | 10675 | 50000 | 50000 |

1. Guaranteed by design.
2. The I/O analog switch voltage booster is enabled when $V_{DDA} < 2.4$ V (BOOSTEN = 1 in the SYSCFG_CFGR1 when $V_{DDA} < 2.4$ V). It is disabled when $V_{DDA} \geq 2.4$ V.
3. Fast channels are: ADCx_IN1 to ADCx_IN5.
4. Slow channels are: all ADC inputs except the fast channels.

Table 71. ADC accuracy - limited test conditions 1⁽¹⁾(2)(3)

| Symbol | Parameter | Conditions ⁽⁴⁾ | | Min | Typ | Max | Unit |
|--------|--------------------------------------|---------------------------|--------------------------|------|------|-----|------|
| ET | Total unadjusted error | Single ended | Fast channel (max speed) | - | 5.9 | 6.9 | LSB |
| | | | Slow channel (max speed) | - | 5.5 | 6.9 | |
| | | Differential | Fast channel (max speed) | - | 4.6 | 5.6 | |
| | | | Slow channel (max speed) | - | 4 | 5.6 | |
| EO | Offset error | Single ended | Fast channel (max speed) | - | 2.5 | 4 | |
| | | | Slow channel (max speed) | - | 1.9 | 4 | |
| | | Differential | Fast channel (max speed) | - | 1.8 | 2.8 | |
| | | | Slow channel (max speed) | - | 1.1 | 2.8 | |
| EG | Gain error | Single ended | Fast channel (max speed) | - | 4.6 | 6.6 | |
| | | | Slow channel (max speed) | - | 4.5 | 6.6 | |
| | | Differential | Fast channel (max speed) | - | 3.6 | 4.6 | |
| | | | Slow channel (max speed) | - | 3.3 | 4.6 | |
| ED | Differential linearity error | Single ended | Fast channel (max speed) | - | 1.1 | 1.9 | |
| | | | Slow channel (max speed) | - | 1.3 | 1.9 | |
| | | Differential | Fast channel (max speed) | - | 1.3 | 1.6 | |
| | | | Slow channel (max speed) | - | 1.4 | 1.6 | |
| EL | Integral linearity error | Single ended | Fast channel (max speed) | - | 2.3 | 3.4 | |
| | | | Slow channel (max speed) | - | 2.4 | 3.4 | |
| | | Differential | Fast channel (max speed) | - | 2.1 | 3.2 | |
| | | | Slow channel (max speed) | - | 2.2 | 3.2 | |
| ENOB | Effective number of bits | Single ended | Fast channel (max speed) | 10.4 | 10.6 | - | |
| | | | Slow channel (max speed) | 10.4 | 10.6 | - | |
| | | Differential | Fast channel (max speed) | 10.8 | 10.9 | - | |
| | | | Slow channel (max speed) | 10.8 | 10.9 | - | |
| SINAD | Signal-to-noise and distortion ratio | Single ended | Fast channel (max speed) | 64.4 | 65.6 | - | |
| | | | Slow channel (max speed) | 64.4 | 65.6 | - | |
| | | Differential | Fast channel (max speed) | 66.8 | 67.5 | - | |
| | | | Slow channel (max speed) | 66.8 | 67.5 | - | |
| SNR | Signal-to-noise ratio | Single ended | Fast channel (max speed) | 65 | 66.9 | - | |
| | | | Slow channel (max speed) | 65 | 66.9 | - | |
| | | Differential | Fast channel (max speed) | 67 | 69 | - | |
| | | | Slow channel (max speed) | 67 | 69 | - | |

Table 71. ADC accuracy - limited test conditions 1⁽¹⁾(2)(3) (continued)

| Symbol | Parameter | Conditions ⁽⁴⁾ | | | Min | Typ | Max | Unit |
|--------|---------------------------|--|--------------|--------------------------|-----|-----|-----|------|
| THD | Total harmonic distortion | Single ADC operation ADC clock frequency ≤ 60 MHz, V _{DDA} = VREF+ = 3 V, TA = 25 °C Continuous mode, sampling rate: Fast channels@4Msps Slow channels@2Msps | Single ended | Fast channel (max speed) | - | -73 | -72 | dB |
| | | | | Slow channel (max speed) | - | -73 | -72 | |
| | | | Differential | Fast channel (max speed) | - | -73 | -72 | |
| | | | | Slow channel (max speed) | - | -73 | -72 | |

1. Guaranteed by design.
2. ADC DC accuracy values are measured after internal calibration.
3. ADC accuracy vs. negative Injection Current: Injecting negative current on any analog input pins should be avoided as this significantly reduces the accuracy of the conversion being performed on another analog input. It is recommended to add a Schottky diode (pin to ground) to analog pins which may potentially inject negative current.
4. The I/O analog switch voltage booster is enabled when V_{DDA} < 2.4 V (BOOSTEN = 1 in the SYSCFG_CFGR1 when V_{DDA} < 2.4 V). It is disabled when V_{DDA} ≥ 2.4 V. No oversampling.

Table 72. ADC accuracy - limited test conditions 2⁽¹⁾(2)(3)

| Symbol | Parameter | Conditions ⁽⁴⁾ | | Min | Typ | Max | Unit | |
|--------|--------------------------------------|---|--------------|--------------------------|------|------|------|------|
| ET | Total unadjusted error | | Single ended | Fast channel (max speed) | - | 5.9 | 8.4 | LSB |
| | | | | Slow channel (max speed) | - | 5.5 | 8 | |
| | | | Differential | Fast channel (max speed) | - | 4.6 | 6.6 | |
| | | | | Slow channel (max speed) | - | 4 | 6 | |
| EO | Offset error | | Single ended | Fast channel (max speed) | - | 2.5 | 6 | |
| | | | | Slow channel (max speed) | - | 1.9 | 6.9 | |
| | | | Differential | Fast channel (max speed) | - | 1.8 | 3.3 | |
| | | | | Slow channel (max speed) | - | 1.1 | 3.3 | |
| EG | Gain error | | Single ended | Fast channel (max speed) | - | 4.6 | 8.1 | |
| | | | | Slow channel (max speed) | - | 4.5 | 8.1 | |
| | | | Differential | Fast channel (max speed) | - | 3.6 | 4.6 | |
| | | | | Slow channel (max speed) | - | 3.3 | 4.6 | |
| ED | Differential linearity error | Single ADC operation ADC clock frequency ≤ 60 MHz, 2 V ≤ V _{DDA} Continuous mode, sampling rate: Fast channels@4Msps Slow channels@2Msps | Single ended | Fast channel (max speed) | - | 1.1 | 1.8 | |
| | | | | Slow channel (max speed) | - | 1.3 | 1.8 | |
| | | | Differential | Fast channel (max speed) | - | 1.3 | 1.6 | |
| | | | | Slow channel (max speed) | - | 1.4 | 1.6 | |
| EL | Integral linearity error | | Single ended | Fast channel (max speed) | - | 2.3 | 4.4 | |
| | | | | Slow channel (max speed) | - | 2.4 | 4.4 | |
| | | | Differential | Fast channel (max speed) | - | 2.1 | 4.1 | |
| | | | | Slow channel (max speed) | - | 2.2 | 3.7 | |
| ENOB | Effective number of bits | | Single ended | Fast channel (max speed) | 10 | 10.6 | - | bits |
| | | | | Slow channel (max speed) | 10 | 10.6 | - | |
| | | | Differential | Fast channel (max speed) | 10.7 | 10.9 | - | |
| | | | | Slow channel (max speed) | 10.7 | 10.9 | - | |
| SINAD | Signal-to-noise and distortion ratio | | Single ended | Fast channel (max speed) | 62 | 65.6 | - | dB |
| | | | | Slow channel (max speed) | 62 | 65.6 | - | |
| | | | Differential | Fast channel (max speed) | 65 | 67.5 | - | |
| | | | | Slow channel (max speed) | 65 | 67.5 | - | |
| SNR | Signal-to-noise ratio | | Single ended | Fast channel (max speed) | 64 | 66.9 | - | |
| | | | | Slow channel (max speed) | 64 | 66.9 | - | |
| | | | Differential | Fast channel (max speed) | 66.5 | 69 | - | |
| | | | | Slow channel (max speed) | 66.5 | 69 | - | |

Table 72. ADC accuracy - limited test conditions 2⁽¹⁾(2)(3) (continued)

| Symbol | Parameter | Conditions ⁽⁴⁾ | | | Min | Typ | Max | Unit |
|--------|---------------------------|---|--------------|--------------------------|-----|-----|-----|------|
| THD | Total harmonic distortion | Single ADC operation ADC clock frequency ≤ 60 MHz, 2 V ≤ V _{DDA} Continuous mode, sampling rate: Fast channels@4Msps Slow channels@2Msps | Single ended | Fast channel (max speed) | - | -73 | -65 | dB |
| | | | | Slow channel (max speed) | - | -73 | -67 | |
| | | | Differential | Fast channel (max speed) | - | -73 | -70 | |
| | | | | Slow channel (max speed) | - | -73 | -71 | |

1. Guaranteed by design.
2. ADC DC accuracy values are measured after internal calibration.
3. ADC accuracy vs. negative Injection Current: Injecting negative current on any analog input pins should be avoided as this significantly reduces the accuracy of the conversion being performed on another analog input. It is recommended to add a Schottky diode (pin to ground) to analog pins which may potentially inject negative current.
4. The I/O analog switch voltage booster is enabled when V_{DDA} < 2.4 V (BOOSTEN = 1 in the SYSCFG_CFGR1 when V_{DDA} < 2.4 V). It is disabled when V_{DDA} ≥ 2.4 V. No oversampling.

Table 73. ADC accuracy - limited test conditions 3⁽¹⁾⁽²⁾⁽³⁾

| Symbol | Parameter | Conditions ⁽⁴⁾ | | Min | Typ | Max | Unit | |
|--------|--------------------------------------|---|--------------|--------------------------|------|------|------|------|
| ET | Total unadjusted error | | Single ended | Fast channel (max speed) | - | 5.9 | 7.9 | LSB |
| | | | | Slow channel (max speed) | - | 5.5 | 7.5 | |
| | | | Differential | Fast channel (max speed) | - | 4.6 | 7.6 | |
| | | | | Slow channel (max speed) | - | 4 | 5.5 | |
| EO | Offset error | | Single ended | Fast channel (max speed) | - | 2.5 | 5.5 | |
| | | | | Slow channel (max speed) | - | 1.9 | 5.5 | |
| | | | Differential | Fast channel (max speed) | - | 1.8 | 3.5 | |
| | | | | Slow channel (max speed) | - | 1.1 | 3 | |
| EG | Gain error | | Single ended | Fast channel (max speed) | - | 4.6 | 7.1 | |
| | | | | Slow channel (max speed) | - | 4.5 | 7 | |
| | | | Differential | Fast channel (max speed) | - | 3.6 | 4.1 | |
| | | | | Slow channel (max speed) | - | 3.3 | 4.8 | |
| ED | Differential linearity error | Single ADC operation ADC clock frequency ≤ 60 MHz, 1.62 V ≤ V _{DDA} = V _{REF+} ≤ 3.6 V, | Single ended | Fast channel (max speed) | - | 1.1 | 1.9 | |
| | | | | Slow channel (max speed) | - | 1.3 | 1.9 | |
| | | | Differential | Fast channel (max speed) | - | 1.3 | 1.6 | |
| | | | | Slow channel (max speed) | - | 1.4 | 1.6 | |
| EL | Integral linearity error | Continuous mode, sampling rate: Fast channels@4Msps Slow channels@2Msps | Single ended | Fast channel (max speed) | - | 2.3 | 4.4 | |
| | | | | Slow channel (max speed) | - | 2.4 | 4.4 | |
| | | | Differential | Fast channel (max speed) | - | 2.1 | 3.7 | |
| | | | | Slow channel (max speed) | - | 2.2 | 3.7 | |
| ENOB | Effective number of bits | | Single ended | Fast channel (max speed) | 10 | 10.6 | - | bits |
| | | | | Slow channel (max speed) | 10 | 10.6 | - | |
| | | | Differential | Fast channel (max speed) | 10.6 | 10.9 | - | |
| | | | | Slow channel (max speed) | 10.6 | 10.9 | - | |
| SINAD | Signal-to-noise and distortion ratio | | Single ended | Fast channel (max speed) | 62 | 65.6 | - | dB |
| | | | | Slow channel (max speed) | 62 | 65.6 | - | |
| | | | Differential | Fast channel (max speed) | 65 | 67.5 | - | |
| | | | | Slow channel (max speed) | 65 | 67.5 | - | |
| SNR | Signal-to-noise ratio | | Single ended | Fast channel (max speed) | 63 | 66.9 | - | |
| | | | | Slow channel (max speed) | 63 | 66.9 | - | |
| | | | Differential | Fast channel (max speed) | 66 | 69 | - | |
| | | | | Slow channel (max speed) | 66 | 69 | - | |

Table 73. ADC accuracy - limited test conditions 3⁽¹⁾(2)(3) (continued)

| Symbol | Parameter | Conditions ⁽⁴⁾ | | Min | Typ | Max | Unit | |
|--------|---------------------------|---|--------------|--------------------------|-----|-----|------|----|
| THD | Total harmonic distortion | Single ADC operation ADC clock frequency ≤ 60 MHz, 1.62 V ≤ V _{DDA} = V _{REF+} ≤ 3.6 V, Continuous mode, sampling rate: Fast channels@4Msps Slow channels@2Msps | Single ended | Fast channel (max speed) | - | -73 | -67 | dB |
| | | | | Slow channel (max speed) | - | -73 | -67 | |
| | | | Differential | Fast channel (max speed) | - | -73 | -71 | |
| | | | | Slow channel (max speed) | - | -73 | -71 | |

1. Guaranteed by design.
2. ADC DC accuracy values are measured after internal calibration.
3. ADC accuracy vs. negative Injection Current: Injecting negative current on any analog input pins should be avoided as this significantly reduces the accuracy of the conversion being performed on another analog input. It is recommended to add a Schottky diode (pin to ground) to analog pins which may potentially inject negative current.
4. The I/O analog switch voltage booster is enabled when V_{DDA} < 2.4 V (BOOSTEN = 1 in the SYSCFG_CFGR1 when V_{DDA} < 2.4 V). It is disabled when V_{DDA} ≥ 2.4 V. No oversampling.

Table 74. ADC accuracy (Multiple ADCs operation) - limited test conditions 1⁽¹⁾(2)(3)

| Symbol | Parameter | Conditions ⁽⁴⁾ | - | Min | Typ | Max | Unit |
|--------|--------------------------------------|--|--------------|-------|-----|------|------|
| ET | Total unadjusted error | Multiple ADC operation ADC clock frequency: single ended ≤ 52 MHz, differential ≤ 56 MHz, V _{DDA} = V _{REF} = 3.3 V, 25°C, Continuous mode, sampling time: Fast channels: 2.5 cycles Slow channels: 6.5 cycles LQFP100 package | Single ended | - | 4.5 | - | LSB |
| | | | Differential | - | 4.1 | - | |
| EO | Offset error | | Single ended | - | 1.3 | - | |
| | | | Differential | - | 0.4 | - | |
| EG | Gain error | | Single ended | - | 3.9 | - | |
| | | | Differential | - | 3.4 | - | |
| ED | Differential linearity error | | Single ended | - | 1.5 | - | |
| | | | Differential | - | 1.2 | - | |
| EL | Integral linearity error | | Single ended | - | 1.7 | - | |
| | | | Differential | - | 2.1 | - | |
| ENOB | Effective number of bits | Single ended | - | 10.7 | - | bits | |
| | | Differential | - | 10.9 | - | | |
| SINAD | Signal-to-noise and distortion ratio | Single ended | - | 66.3 | - | dB | |
| | | Differential | - | 67.2 | - | | |
| SNR | Signal-to-noise ratio | Single ended | - | 67.3 | - | | |
| | | Differential | - | 68.6 | - | | |
| THD | Total harmonic distortion | Single ended | - | -73.5 | - | dB | |
| | | Differential | - | -73 | - | | |

1. Data based on characterization result, not tested in production.
2. ADC DC accuracy values are measured after internal calibration.
3. ADC accuracy vs. negative Injection Current: Injecting negative current on any analog input pins should be avoided as this significantly reduces the accuracy of the conversion being performed on another analog input. It is recommended to add a Schottky diode (pin to ground) to analog pins which may potentially inject negative current.
4. The I/O analog switch voltage booster is enabled when V_{DDA} < 2.4 V (BOOSTEN = 1 in the SYSCFG_CFGR1 when V_{DDA} < 2.4 V). It is disabled when V_{DDA} ≥ 2.4 V. No oversampling.

Table 75. ADC accuracy (Multiple ADCs operation) - limited test conditions 2⁽¹⁾⁽²⁾⁽³⁾

| Symbol | Parameter | Conditions ⁽⁴⁾ | - | Min | Typ | Max | Unit |
|--------|--------------------------------------|--|--------------|-------|-----|------|------|
| ET | Total unadjusted error | Multiple ADC operation ADC clock frequency: single ended ≤ 52 MHz, differential ≤ 56 MHz, $V_{DDA} \geq 2.7\text{ V}$, $V_{REF} \geq 1.62\text{ V}$, -40 to 125°C, Continuous mode, sampling time: Fast channels: 2.5 cycles Slow channels: 6.5 cycles LQFP100 package | Single ended | - | 7.1 | - | LSB |
| | | | Differential | - | 4.6 | - | |
| EO | Offset error | | Single ended | - | 4.2 | - | |
| | | | Differential | - | 2.8 | - | |
| EG | Gain error | | Single ended | - | 6.8 | - | |
| | | | Differential | - | 4.3 | - | |
| ED | Differential linearity error | | Single ended | - | 1.5 | - | |
| | | | Differential | - | 1.7 | - | |
| EL | Integral linearity error | | Single ended | - | 3.1 | - | |
| | | | Differential | - | 2.4 | - | |
| ENOB | Effective number of bits | Single ended | - | 10.2 | - | bits | |
| | | Differential | - | 10.6 | - | | |
| SINAD | Signal-to-noise and distortion ratio | Single ended | - | 62.9 | - | dB | |
| | | Differential | - | 65.3 | - | | |
| SNR | Signal-to-noise ratio | Single ended | - | 63.6 | - | | |
| | | Differential | - | 66.3 | - | | |
| THD | Total harmonic distortion | Single ended | - | -70.9 | - | dB | |
| | | Differential | - | -71.8 | - | | |

1. Data based on characterization result, not tested in production.
2. ADC DC accuracy values are measured after internal calibration.
3. ADC accuracy vs. negative Injection Current: Injecting negative current on any analog input pins should be avoided as this significantly reduces the accuracy of the conversion being performed on another analog input. It is recommended to add a Schottky diode (pin to ground) to analog pins which may potentially inject negative current.
4. The I/O analog switch voltage booster is enabled when $V_{DDA} < 2.4\text{ V}$ (BOOSTEN = 1 in the SYSCFG_CFGR1 when $V_{DDA} < 2.4\text{ V}$). It is disabled when $V_{DDA} \geq 2.4\text{ V}$. No oversampling.

Table 76. ADC accuracy (Multiple ADCs operation) - limited test conditions 3⁽¹⁾⁽²⁾⁽³⁾

| Symbol | Parameter | Conditions ⁽⁴⁾ | - | Min | Typ | Max | Unit |
|--------|--------------------------------------|--|--------------|-------|-----|------|------|
| ET | Total unadjusted error | Multiple ADC operation ADC clock frequency: single ended ≤ 42 MHz, differential ≤ 56 MHz, $V_{DDA} = V_{REF} \geq 1.62\text{ V}$, -40 to 125°C, Continuous mode, sampling time: Fast channels: 2.5 cycles Slow channels: 6.5 cycles LQFP100 package | Single ended | - | 7.4 | - | LSB |
| | | | Differential | - | 4.6 | - | |
| EO | Offset error | | Single ended | - | 4 | - | |
| | | | Differential | - | 2.8 | - | |
| EG | Gain error | | Single ended | - | 7.2 | - | |
| | | | Differential | - | 4.3 | - | |
| ED | Differential linearity error | | Single ended | - | 1.8 | - | |
| | | | Differential | - | 1.7 | - | |
| EL | Integral linearity error | | Single ended | - | 3.1 | - | |
| | | | Differential | - | 2.4 | - | |
| ENOB | Effective number of bits | Single ended | - | 10.1 | - | bits | |
| | | Differential | - | 10.6 | - | | |
| SINAD | Signal-to-noise and distortion ratio | Single ended | - | 62.6 | - | dB | |
| | | Differential | - | 65.3 | - | | |
| SNR | Signal-to-noise ratio | Single ended | - | 63.2 | - | | |
| | | Differential | - | 66.3 | - | | |
| THD | Total harmonic distortion | Single ended | - | -70.6 | - | dB | |
| | | Differential | - | -71.8 | - | | |

1. Data based on characterization result, not tested in production.
2. ADC DC accuracy values are measured after internal calibration.
3. ADC accuracy vs. negative Injection Current: Injecting negative current on any analog input pins should be avoided as this significantly reduces the accuracy of the conversion being performed on another analog input. It is recommended to add a Schottky diode (pin to ground) to analog pins which may potentially inject negative current.
4. The I/O analog switch voltage booster is enabled when $V_{DDA} < 2.4\text{ V}$ (BOOSTEN = 1 in the SYSCFG_CFGR1 when $V_{DDA} < 2.4\text{ V}$). It is disabled when $V_{DDA} \geq 2.4\text{ V}$. No oversampling.

Figure 27. ADC accuracy characteristics

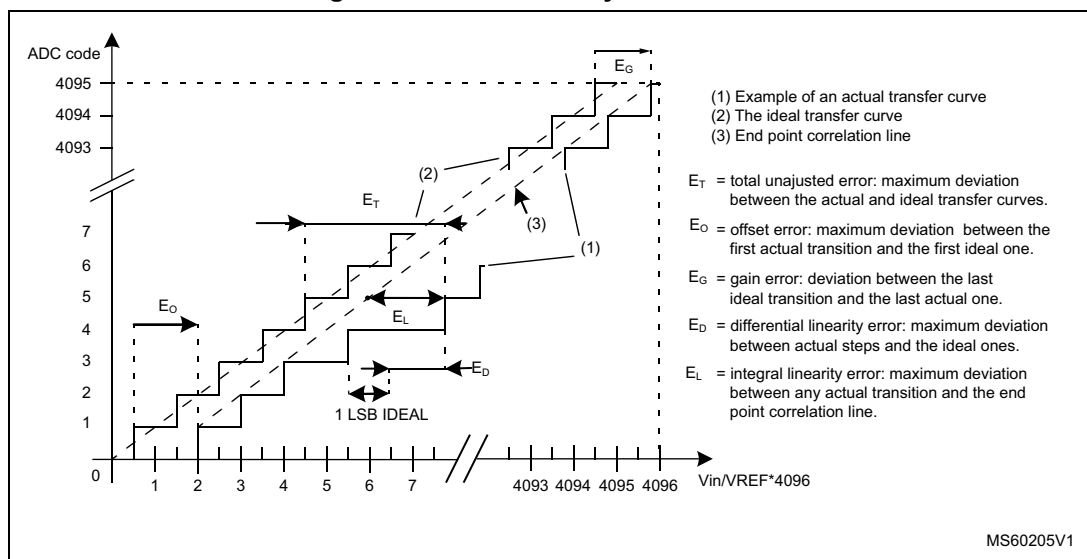
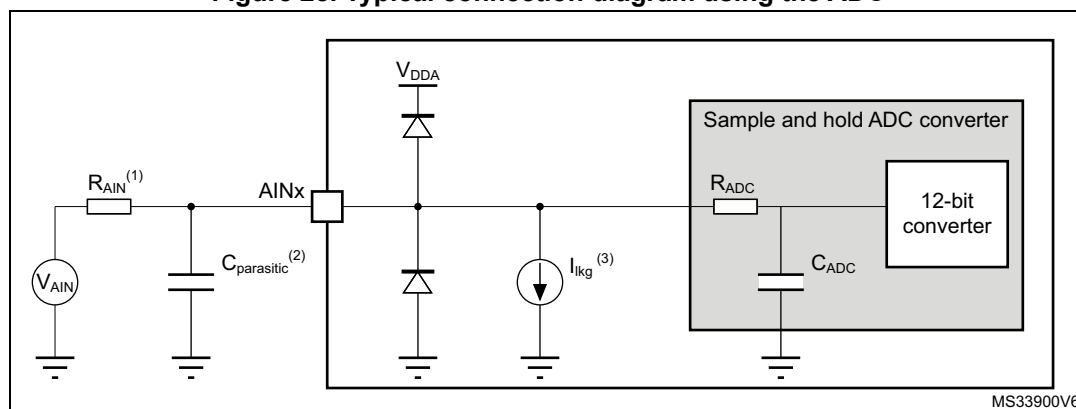


Figure 28. Typical connection diagram using the ADC



1. Refer to [Table 69: ADC characteristics](#) for the values of R_{AIN} and C_{ADC} .
2. $C_{parasitic}$ represents the capacitance of the PCB (dependent on soldering and PCB layout quality) plus the pad capacitance (refer to [Table 57: I/O static characteristics](#) for the value of the pad capacitance). A high $C_{parasitic}$ value downgrades conversion accuracy. To remedy this, f_{ADC} should be reduced.
3. Refer to [Table 57: I/O static characteristics](#) for the values of I_{kg} .

General PCB design guidelines

Power supply decoupling must be performed as shown in [Figure 15: Power supply scheme](#). The decoupling capacitor on V_{DDA} must be ceramic (good quality) and it must be placed as close as possible to the chip.

5.3.20 Digital-to-Analog converter characteristics

Table 77. DAC 1MSPS characteristics⁽¹⁾

| Symbol | Parameter | Conditions | Min | Typ | Max | Unit | |
|------------------------------------|--|---|-------------------------------|------|-------------------------|------|----|
| V _{DDA} | Analog supply voltage for DAC ON | DAC output buffer OFF, DAC_OUT pin not connected (internal connection only) | 1.71 | - | 3.6 | V | |
| | | Other modes | 1.80 | - | | | |
| V _{REF+} | Positive reference voltage | DAC output buffer OFF, DAC_OUT pin not connected (internal connection only) | 1.71 | - | V _{DDA} | | |
| | | Other modes | 1.80 | - | | | |
| V _{REF-} | Negative reference voltage | - | V _{SSA} | | | | |
| R _L | Resistive load | DAC output buffer ON | connected to V _{SSA} | 5 | - | | - |
| | | connected to V _{DDA} | 25 | - | - | | |
| R _O | Output Impedance | DAC output buffer OFF | 9.6 | 11.7 | 13.8 | kΩ | |
| R _{BON} | Output impedance sample and hold mode, output buffer ON | V _{DD} = 2.7 V | - | - | 2 | kΩ | |
| | | V _{DD} = 2.0 V | - | - | 3.5 | | |
| R _{BOFF} | Output impedance sample and hold mode, output buffer OFF | V _{DD} = 2.7 V | - | - | 16.5 | kΩ | |
| | | V _{DD} = 2.0 V | - | - | 18.0 | | |
| C _L | Capacitive load | DAC output buffer ON | - | - | 50 | pF | |
| C _{SH} | | Sample and hold mode | - | 0.1 | 1 | μF | |
| V _{DAC_OUT} | Voltage on DAC_OUT output | DAC output buffer ON | 0.2 | - | V _{REF+} - 0.2 | V | |
| | | DAC output buffer OFF | 0 | - | V _{REF+} | | |
| t _{SETTLING} | Settling time (full scale: for a 12-bit code transition between the lowest and the highest input codes when DAC_OUT reaches final value) | Normal mode DAC output buffer ON CL ≤ 50 pF, RL ≥ 5 kΩ | ±0.5 LSB | - | 1.7 | 3 | μs |
| | | | ±1 LSB | - | 1.6 | 2.9 | |
| | | | ±2 LSB | - | 1.55 | 2.85 | |
| | | | ±4 LSB | - | 1.48 | 2.8 | |
| | | | ±8 LSB | - | 1.4 | 2.75 | |
| | | Normal mode DAC output buffer OFF, ±1LSB, CL = 10 pF | - | 2 | 2.5 | | |
| t _{WAKEUP} ⁽²⁾ | Wakeup time from off state (setting the ENx bit in the DAC Control register) until final value ±1 LSB | Normal mode DAC output buffer ON CL ≤ 50 pF, RL ≥ 5 kΩ | - | 4.2 | 7.5 | μs | |
| | | Normal mode DAC output buffer OFF, CL ≤ 10 pF | - | 2 | 5 | | |
| PSRR | V _{DDA} supply rejection ratio | Normal mode DAC output buffer ON CL ≤ 50 pF, RL = 5 kΩ, DC | - | -80 | -28 | dB | |

Table 77. DAC 1MSPS characteristics⁽¹⁾ (continued)

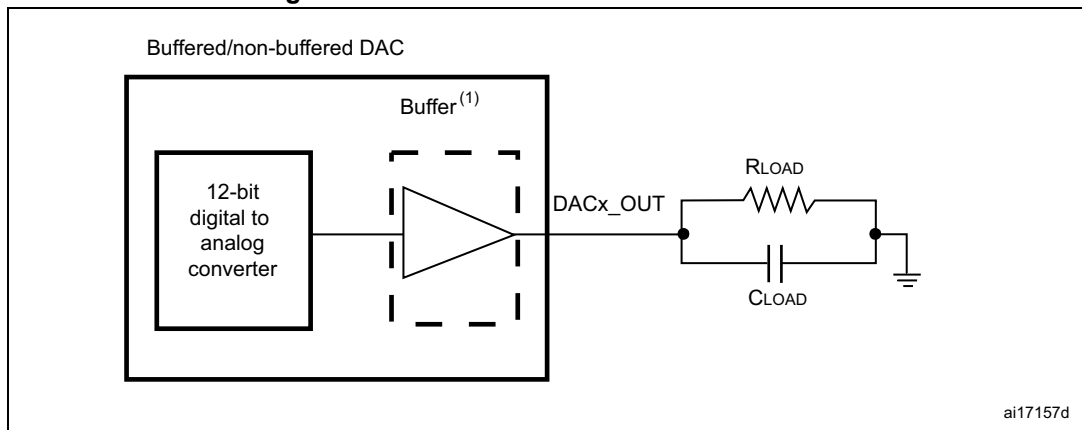
| Symbol | Parameter | Conditions | Min | Typ | Max | Unit | |
|-----------------------|---|--|---|--|--|---------------|---------------|
| $T_{W_to_W}$ | Minimal time between two consecutive writes into the DAC_DORx register to guarantee a correct DAC_OUT for a small variation of the input code (1 LSB) DAC_MCR:MODEx[2:0] = 000 or 001 DAC_MCR:MODEx[2:0] = 010 or 011 | $CL \leq 50 \text{ pF}$, $RL \geq 5 \text{ k}\Omega$ $CL \leq 10 \text{ pF}$ | 1 1.4 | - | - | μs | |
| t_{SAMP} | Sampling time in sample and hold mode (code transition between the lowest input code and the highest input code when DACOUT reaches final value $\pm 1\text{LSB}$) | DAC_OUT pin connected | | | | ms | |
| | | | DAC output buffer ON, $C_{\text{SH}} = 100 \text{ nF}$ | - | 0.7 | | 3.5 |
| | | | DAC output buffer OFF, $C_{\text{SH}} = 100 \text{ nF}$ | - | 10.5 | 18 | |
| | | DAC_OUT pin not connected (internal connection only) | | | | μs | |
| | | DAC output buffer OFF | - | 2 | 3.5 | μs | |
| I_{leak} | Output leakage current | Sample and hold mode, DAC_OUT pin connected | - | - | -(3) | nA | |
| C_{int} | Internal sample and hold capacitor | - | 5.2 | 7 | 8.8 | pF | |
| t_{TRIM} | Middle code offset trim time | DAC output buffer ON | 50 | - | - | μs | |
| V_{offset} | Middle code offset for 1 trim code step | $V_{\text{REF+}} = 3.6 \text{ V}$ | - | 1500 | - | μV | |
| | | $V_{\text{REF+}} = 1.8 \text{ V}$ | - | 750 | - | | |
| $I_{\text{DDA(DAC)}}$ | DAC consumption from V_{DDA} | DAC output buffer ON | No load, middle code (0x800) | - | 315 | 500 | μA |
| | | | No load, worst code (0xF1C) | - | 450 | 670 | |
| | | DAC output buffer OFF | No load, middle code (0x800) | - | - | 0.2 | |
| | | Sample and hold mode, $C_{\text{SH}} = 100 \text{ nF}$ | - | $315 \times \frac{T_{\text{on}}}{T_{\text{on}} + T_{\text{off}}}$ ⁽⁴⁾ | $670 \times \frac{T_{\text{on}}}{T_{\text{on}} + T_{\text{off}}}$ ⁽⁴⁾ | | |

Table 77. DAC 1MSPS characteristics⁽¹⁾ (continued)

| Symbol | Parameter | Conditions | Min | Typ | Max | Unit | |
|------------------------|--|--|------------------------------|---------------------------------------|---------------------------------------|------|----|
| I _{DDV} (DAC) | DAC consumption from V _{REF+} | DAC output buffer ON | No load, middle code (0x800) | - | 185 | 240 | μA |
| | | | No load, worst code (0xF1C) | - | 340 | 400 | |
| | | DAC output buffer OFF | No load, middle code (0x800) | - | 155 | 205 | |
| | | Sample and hold mode, buffer ON, C _{SH} = 100 nF, worst case | - | 185 x Ton/(Ton + Toff) ⁽⁴⁾ | 400 x Ton/(Ton + Toff) ⁽⁴⁾ | | |
| | | Sample and hold mode, buffer OFF, C _{SH} = 100 nF, worst case | - | 155 x Ton/(Ton + Toff) ⁽⁴⁾ | 205 x Ton/(Ton + Toff) ⁽⁴⁾ | | |

1. Guaranteed by design.
2. In buffered mode, the output can overshoot above the final value for low input code (starting from min value).
3. Refer to [Table 57: I/O static characteristics](#).
4. Ton is the Refresh phase duration. Toff is the Hold phase duration. Refer to the reference manual RM0440 "STM32G4 Series advanced Arm[®]-based 32-bit MCUs" for more details.

Figure 29. 12-bit buffered / non-buffered DAC



1. The DAC integrates an output buffer to reduce the output impedance and to drive external loads directly without the use of an external operational amplifier. The buffer can be bypassed by configuring the BOFF_x bit in the DAC_CR register.

Table 78. DAC 1MSPS accuracy⁽¹⁾

| Symbol | Parameter | Conditions | Min | Typ | Max | Unit | |
|-----------|--|--|---------------------------|------|------|------|-----|
| DNL | Differential non linearity ⁽²⁾ | DAC output buffer ON | - | - | ±2 | LSB | |
| | | DAC output buffer OFF | - | - | ±2 | | |
| - | monotonicity | 10 bits | Guaranteed | | | | |
| INL | Integral non linearity ⁽³⁾ | DAC output buffer ON CL ≤ 50 pF, RL ≥ 5 kΩ | - | - | ±4 | | |
| | | DAC output buffer OFF CL ≤ 50 pF, no RL | - | - | ±4 | | |
| Offset | Offset error at code 0x800 ⁽³⁾ | DAC output buffer ON CL ≤ 50 pF, RL ≥ 5 kΩ | V _{REF+} = 3.6 V | - | - | | ±12 |
| | | | V _{REF+} = 1.8 V | - | - | | ±25 |
| | | DAC output buffer OFF CL ≤ 50 pF, no RL | | - | - | | ±8 |
| Offset1 | Offset error at code 0x001 ⁽⁴⁾ | DAC output buffer OFF CL ≤ 50 pF, no RL | - | - | ±5 | | |
| OffsetCal | Offset Error at code 0x800 after calibration | DAC output buffer ON CL ≤ 50 pF, RL ≥ 5 kΩ | V _{REF+} = 3.6 V | - | - | ±5 | |
| | | | V _{REF+} = 1.8 V | - | - | ±7 | |
| Gain | Gain error ⁽⁵⁾ | DAC output buffer ON CL ≤ 50 pF, RL ≥ 5 kΩ | - | - | ±0.5 | % | |
| | | DAC output buffer OFF CL ≤ 50 pF, no RL | - | - | ±0.5 | | |
| TUE | Total unadjusted error | DAC output buffer ON CL ≤ 50 pF, RL ≥ 5 kΩ | - | - | ±30 | LSB | |
| | | DAC output buffer OFF CL ≤ 50 pF, no RL | - | - | ±12 | | |
| TUECal | Total unadjusted error after calibration | DAC output buffer ON CL ≤ 50 pF, RL ≥ 5 kΩ | - | - | ±23 | LSB | |
| SNR | Signal-to-noise ratio | DAC output buffer ON CL ≤ 50 pF, RL ≥ 5 kΩ 1 kHz, BW 500 kHz | - | 71.2 | - | dB | |
| | | DAC output buffer OFF CL ≤ 50 pF, no RL, 1 kHz BW 500 kHz | - | 71.6 | - | | |
| THD | Total harmonic distortion | DAC output buffer ON CL ≤ 50 pF, RL ≥ 5 kΩ, 1 kHz | - | -78 | - | dB | |
| | | DAC output buffer OFF CL ≤ 50 pF, no RL, 1 kHz | - | -79 | - | | |

Table 78. DAC 1MSPS accuracy⁽¹⁾ (continued)

| Symbol | Parameter | Conditions | Min | Typ | Max | Unit |
|--------|--------------------------------------|--|-----|------|-----|------|
| SINAD | Signal-to-noise and distortion ratio | DAC output buffer ON CL ≤ 50 pF, RL ≥ 5 kΩ, 1 kHz | - | 70.4 | - | dB |
| | | DAC output buffer OFF CL ≤ 50 pF, no RL, 1 kHz | - | 71 | - | |
| ENOB | Effective number of bits | DAC output buffer ON CL ≤ 50 pF, RL ≥ 5 kΩ, 1 kHz | - | 11.4 | - | bits |
| | | DAC output buffer OFF CL ≤ 50 pF, no RL, 1 kHz | - | 11.5 | - | |

1. Guaranteed by design.
2. Difference between two consecutive codes - 1 LSB.
3. Difference between measured value at Code i and the value at Code i on a line drawn between Code 0 and last Code 4095.
4. Difference between the value measured at Code (0x001) and the ideal value.
5. Difference between ideal slope of the transfer function and measured slope computed from code 0x000 and 0xFF when buffer is OFF, and from code giving 0.2 V and (V_{REF+} - 0.2) V when buffer is ON.

Table 79. DAC 15MSPS characteristics⁽¹⁾

| Symbol | Parameter | Conditions | Min | Typ | Max | Unit | |
|-----------------------|--|--|------------------|-----|-------------------|------|----|
| V _{DDA} | Analog supply voltage for DAC ON | - | 1.71 | - | 3.6 | V | |
| V _{REF+} | Positive reference voltage | - | 1.71 | - | V _{DDA} | | |
| V _{REF-} | Negative reference voltage | - | V _{SSA} | | | | |
| V _{DAC_OUT} | Voltage on DAC_OUT output | - | 0 | - | V _{REF+} | V | |
| t _{SETTLING} | Settling time (full scale: for a 12-bit code transition between the lowest and the highest input codes when DAC_OUT reaches final value) | V _{DDA} > 2,7V With One comparator on DAC output | 10%-90% | - | 16 | 22 | ns |
| | | | 5%-95% | - | 21 | 29 | |
| | | | 1%-99% | - | 33 | 46 | |
| | | | 32lsb | - | 40 | 53 | |
| | | | 1lsb | - | 64 | 87 | |
| | | V _{DDA} > 2,7V With One comparator and OPAMP on DAC output | 10%-90% | - | 24 | 32 | |
| | | | 5%-95% | - | 32 | 43 | |
| | | | 1%-99% | - | 49 | 67 | |
| | | | 32lsb | - | 57 | 75 | |
| | | | 1lsb | - | 93 | 125 | |

Table 79. DAC 15MSPS characteristics⁽¹⁾ (continued)

| Symbol | Parameter | Conditions | Min | Typ | Max | Unit | |
|------------------------------------|--|--|---------|-----|-----|-------|----|
| t _{SETTLING} | Settling time (full scale: for a 12-bit code transition between the lowest and the highest input codes when DAC_OUT reaches final value) | V _{DDA} < 2,7V With One comparator on DAC output | 10%-90% | - | 16 | 88 | ns |
| | | | 5%-95% | - | 21 | 116 | |
| | | | 1%-99% | - | 33 | 181 | |
| | | | 32lsb | - | 40 | 196 | |
| | | | 1lsb | - | 64 | 332 | |
| | | V _{DDA} < 2,7V With One comparator and OPAMP on DAC output | 10%-90% | - | 24 | 128 | |
| | | | 5%-95% | - | 32 | 170 | |
| | | | 1%-99% | - | 49 | 265 | |
| | | | 32lsb | - | 57 | 284 | |
| | | | 1lsb | - | 93 | 483 | |
| t _{WAKEUP} ⁽²⁾ | Wakeup time from off state (setting the ENx bit in the DAC Control register) until final value ±1 LSB | Normal mode CL ≤ 10 pF | - | 1.4 | 3.5 | µs | |
| PSRR | V _{DDA} supply rejection ratio | V _{DD} > 2.7 V | 65 | 85 | - | dB | |
| | | V _{DD} < 2.7 V | 40 | 85 | - | | |
| t _{SAMP} | Sampling time in sample and hold mode (code transition between the lowest input code and the highest input code when DACOUT reaches final value ±1LSB) | - | - | TBD | TBD | µs | |
| C _{Iint} | Internal sample and hold capacitor | - | - | 4 | 5 | pF | |
| dV/dt (hold phase) | Voltage decay rate in Sample and hold mode, during hold phase | CSH = 4 pF T = 55°C | - | TBD | - | µV/ms | |
| I _{DDA} (DAC) | DAC consumption from V _{DDA} | No load, middle code (0x800) | - | TBD | TBD | µA | |
| I _{DDV} (DAC) | DAC consumption from V _{REF+} | No load, middle code (0x800) ⁽³⁾ | - | 720 | 955 | | |

1. Guaranteed by design.
2. In buffered mode, the output can overshoot above the final value for low input code (starting from min value).
3. Worst case consumption is at code 0x800.

Table 80. DAC 15MSPS accuracy⁽¹⁾

| Symbol | Parameter | Conditions | Min | Typ | Max | Unit |
|--------|---|--|-----|-----|-----|------|
| DNL | Differential non linearity ⁽²⁾ | - | -2 | - | 2 | LSB |
| INL | Integral non linearity ⁽³⁾ | CL ≤ 50 pF, no RL | -5 | - | 5 | |
| TUE | Total unadjusted error | CL ≤ 50 pF, no RL | -5 | - | 5 | |
| DCS | Dynamic code spike | Spike amplitude on DAC voltage when DAC output value is decreasing | - | 0 | 4 | |

1. Guaranteed by design.
2. Difference between two consecutive codes - 1 LSB.
3. Difference between measured value at code i and the value at code i on a line drawn between code 0 and last code 4095. Offset error is included.

5.3.21 Voltage reference buffer characteristics

Table 81. VREFBUF characteristics⁽¹⁾

| Symbol | Parameter | Conditions | | Min | Typ | Max | Unit |
|---|--|-----------------------------------|-------------|--------------------------|-------|---|---------|
| V _{DDA} | Analog supply voltage | Normal mode | VRS = 00 | 2.4 | - | 3.6 | V |
| | | | VRS = 01 | 2.8 | - | 3.6 | |
| | | | VRS = 10 | 3.135 | - | 3.6 | |
| | | Degraded mode ⁽²⁾ | VRS= 00 | 1.65 | - | 2.4 | |
| | | | VRS = 01 | 1.65 | - | 2.8 | |
| | | | VRS= 10 | 1.65 | - | 3.135 | |
| V _{REFBUF_OUT} | Voltage reference output | Normal mode ⁽³⁾ | VRS= 00 | 2.044 | 2.048 | 2.052 | V |
| | | | VRS= 01 | 2.496 | 2.5 | 2.504 | |
| | | | VRS = 10 | 2.896 | 2.9 | 2.904 | |
| | | Degraded mode ⁽²⁾ | VRS= 00 | V _{DDA} -250 mV | - | V _{DDA} | |
| | | | VRS = 01 | V _{DDA} -250 mV | - | V _{DDA} | |
| | | | VRS = 10 | V _{DDA} -250 mV | - | V _{DDA} | |
| V _{REFOUT_TEMP} ⁽³⁾ | Voltage reference output spread over the temperature range | V _{DDA} = 3V | | - | - | See Figure 30, Figure 31, Figure 32 | mV |
| TRIM | Trim step resolution | - | | - | ±0.05 | ±0.1 | % |
| CL | Load capacitor | - | | 0.5 | 1 | 1.5 | µF |
| esr | Equivalent Serial Resistor of Cload | - | | - | - | 2 | Ω |
| I _{load} | Static load current | - | | - | - | 6.5 | mA |
| I _{line_reg} ⁽⁴⁾ | Line regulation | - | | - | 1000 | 2000 | ppm/V |
| I _{load_reg} | Load regulation | 500 µA ≤ I _{load} ≤ 4 mA | Normal mode | - | 50 | 500 | ppm/mA |
| T _{Coeff} | Temperature coefficient | -40 °C < T _J < +125 °C | | - | - | T _{coeff_vr} + 50 ⁽⁵⁾ | ppm/ °C |
| | | 0 °C < T _J < +50 °C | | - | - | | |
| PSRR | Power supply rejection | DC | | 40 | 55 | - | dB |
| | | 100 kHz | | 25 | 40 | - | |
| t _{START} | Start-up time | CL = 0.5 µF ⁽⁶⁾ | | - | 300 | 350 | µs |
| | | CL = 1.1 µF ⁽⁶⁾ | | - | 500 | 650 | |
| | | CL = 1.5 µF ⁽⁶⁾ | | - | 650 | 800 | |

Table 81. VREFBUF characteristics⁽¹⁾ (continued)

| Symbol | Parameter | Conditions | Min | Typ | Max | Unit |
|--------------------|---|------------------------|-----|-----|-----|---------|
| I_{INRUSH} | Control of maximum DC current drive on VREFBUF_OUT during start-up phase ⁽⁷⁾ | - | - | 8 | - | mA |
| $I_{DDA(VREFBUF)}$ | VREFBUF consumption from V_{DDA} | $I_{load} = 0 \mu A$ | - | 16 | 25 | μA |
| | | $I_{load} = 500 \mu A$ | - | 18 | 30 | |
| | | $I_{load} = 4 mA$ | - | 35 | 50 | |
| | | $I_{load} = 6.5 mA$ | - | 45 | 80 | |

1. Guaranteed by design, unless otherwise specified.
2. In degraded mode, the voltage reference buffer can not maintain accurately the output voltage which follows (V_{DDA} - drop voltage).
3. Guaranteed by characterization results.
4. Line regulation is given for overall supply variation, in normal mode.
5. Tcoeff_vrefint refer to Tcoeff parameter in the embedded voltage reference section.
6. The capacitive load must include a 100 nF low ESR capacitor in order to cut-off the high frequency noise.
7. To correctly control the VREFBUF inrush current during start-up phase and scaling change, the V_{DDA} voltage should be in the range [2.4 V to 3.6 V], [2.8 V to 3.6 V] and [3.135 V to 3.6 V] respectively for VRS=0,1 and 2.

Figure 30. V_{REFOUT_TEMP} in case VRS = 00

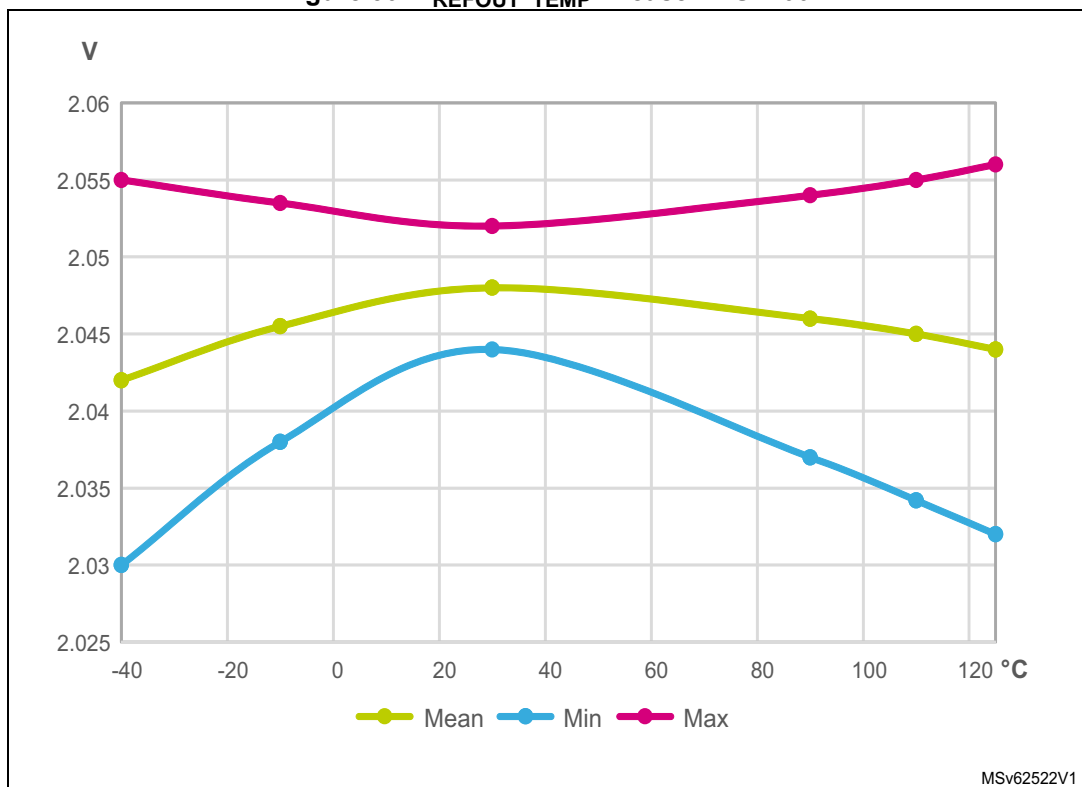


Figure 31. V_{REFOUT} TEMP in case VRS = 01

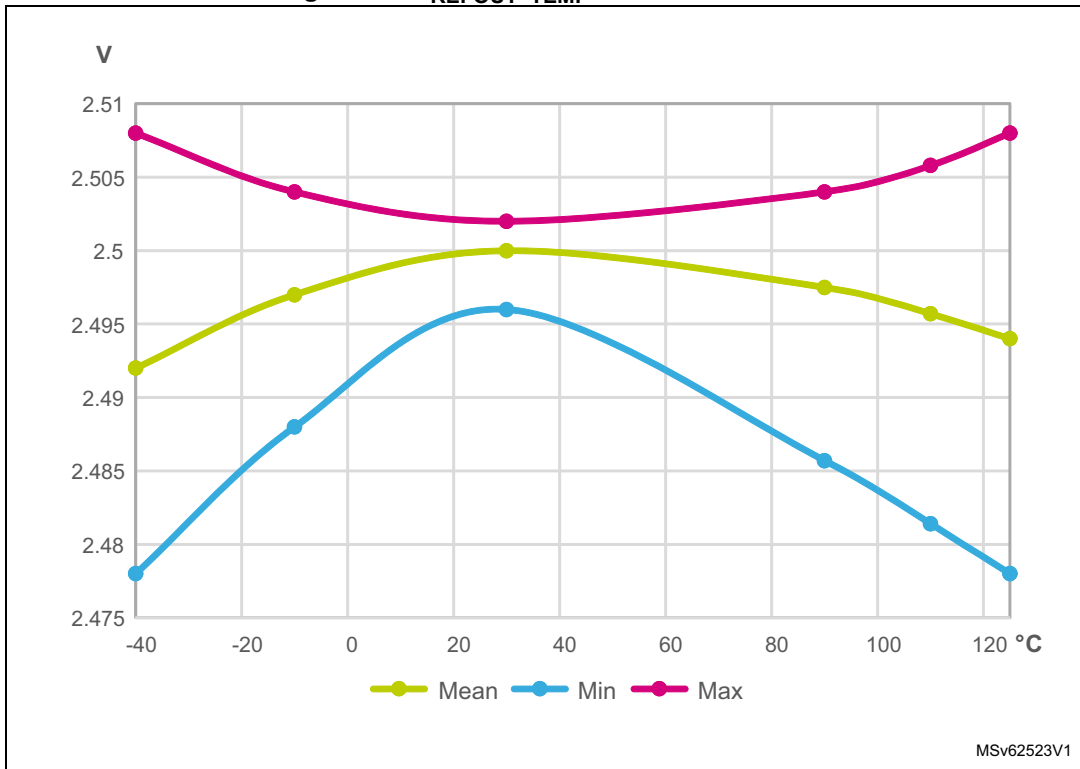
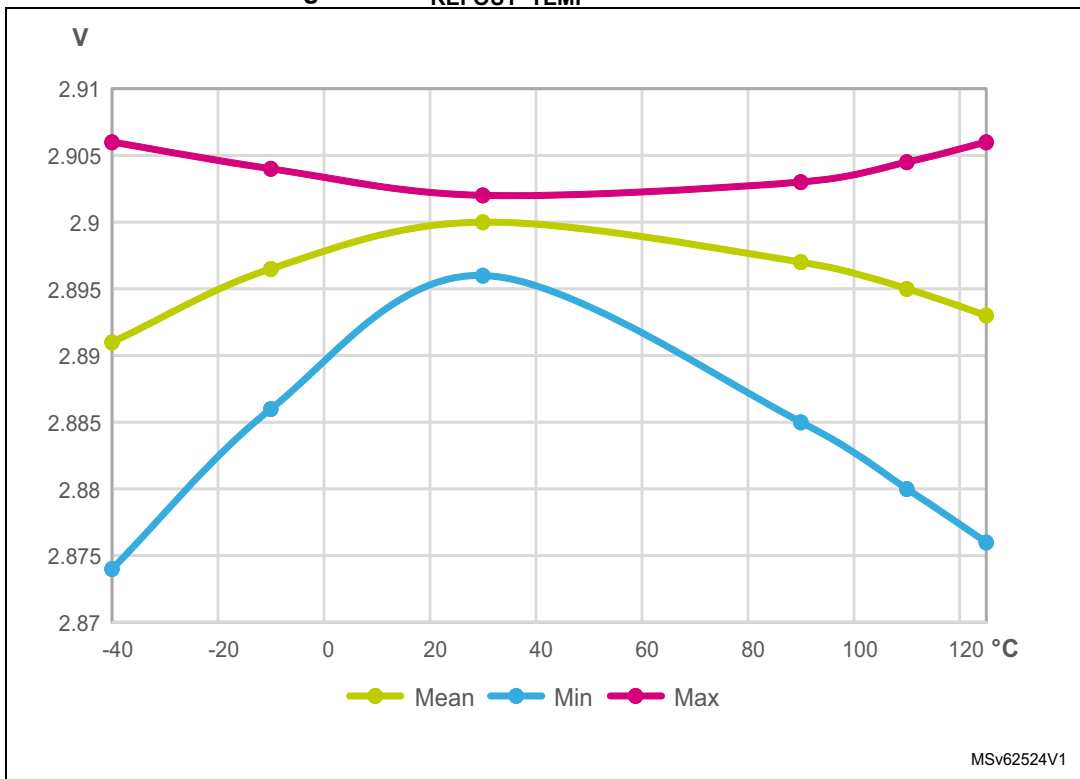


Figure 32. V_{REFOUT} TEMP in case VRS = 10



5.3.22 Comparator characteristics

Table 82. COMP characteristics⁽¹⁾

| Symbol | Parameter | Conditions | Min | Typ | Max | Unit | |
|---------------------|--|--|-----------------------------|-------|-----------|------|----|
| V_{DDA} | Analog supply voltage | - | 1.62 | - | 3.6 | V | |
| V_{IN} | Comparator input voltage range | - | 0 | - | V_{DDA} | | |
| $V_{BG}^{(2)}$ | Scaler input voltage | - | VREFINT | | | | |
| $V_{SC}^{(3)}$ | Scaler offset voltage | - | - | ±5 | ±10 | mV | |
| $I_{DDA}(SCALER)$ | Scaler static consumption from V_{DDA} | BRG_EN=0 (bridge disable) | - | 200 | 300 | nA | |
| | | BRG_EN=1 (bridge enable) | - | 0.8 | 1 | µA | |
| t_{START_SCALER} | Scaler startup time | - | - | 100 | 200 | µs | |
| t_{START} | Comparator startup time to reach propagation delay specification | - | - | - | 5 | µs | |
| $t_D^{(4)}$ | Propagation delay (From COMP input pin to COMP output pin) for 200 mV step with 100 mV overdrive | 50pF load on output | $V_{DDA} < 2.7\text{ V}$ | - | - | 35 | ns |
| | | | $V_{DDA} \geq 2.7\text{ V}$ | - | 16.7 | 31 | ns |
| $V_{offset}^{(3)}$ | Comparator offset error | Full V_{DDA} voltage range, full temperature range | -9 | -6/+2 | 3 | mV | |
| V_{hys} | Comparator hysteresis | HYST[2:0] = 0 | - | 0 | - | mV | |
| | | HYST[2:0] = 1 | 4 | 9 | 16 | | |
| | | HYST[2:0] = 2 | 7 | 18 | 32 | | |
| | | HYST[2:0] = 3 | 11 | 27 | 47 | | |
| | | HYST[2:0] = 4 | 15 | 36 | 63 | | |
| | | HYST[2:0] = 5 | 19 | 45 | 79 | | |
| | | HYST[2:0] = 6 | 23 | 54 | 95 | | |
| | | HYST[2:0] = 7 | 26 | 63 | 110 | | |
| $I_{DDA}(COMP)$ | Comparator consumption from V_{DDA} | Static | - | 450 | 720 | µA | |
| | | With 50 kHz ±100 mV overdrive square signal | - | TBD | - | | |

1. Guaranteed by design, unless otherwise specified.
2. Refer to [Table 20: Embedded internal voltage reference](#).
3. Guaranteed by characterization results.
4. Typical value (3V) is an average for all comparators propagation delay.

5.3.23 Operational amplifiers characteristics

Table 83. OPAMP characteristics^{(1) (2)}

| Symbol | Parameter | Conditions | Min | Typ | Max | Unit |
|--------------------------------------|---|---|------------------------|-----|------------------|-------|
| V _{DDA} | Analog supply voltage | - | 2 | 3.3 | 3.6 | V |
| CMIR | Common mode input range | - | 0 | - | V _{DDA} | V |
| V _I OFFSET ⁽³⁾ | Input offset voltage | 25 °C, No Load on output. | - | - | ±1.5 | mV |
| | | All voltage/temperature. | - | - | ±3 | |
| ΔV _I OFFSET | Input offset voltage drift | - | - | ±10 | - | μV/°C |
| TRIMOFFSE TP | Offset trim step at low common input voltage (0.1 × V _{DDA}) | - | - | 1.1 | 1.2 | mV |
| TRIMOFFSE TN | Offset trim step at high common input voltage (0.9 × V _{DDA}) | - | - | 1.3 | 1.65 | |
| I _{LOAD} | Drive current | - | - | - | 500 | μA |
| I _{LOAD_PGA} | Drive current in PGA mode | - | - | - | 270 | |
| C _{LOAD} | Capacitive load | - | - | - | 50 | pF |
| CMRR | Common mode rejection ratio | - | - | 60 | - | dB |
| PSRR | Power supply rejection ratio | C _{LOAD} ≤ 50 pf, R _{LOAD} ≥ 4 kΩ DC V _{com} =V _{DDA} /2 | TBD | 80 | - | dB |
| GBW | Gain Bandwidth Product | 100mV ≤ Output dynamic range ≤ V _{DDA} - 100mV | 7 | 13 | - | MHz |
| SR ⁽³⁾ | Slew rate (from 10 and 90% of output voltage) | Normal mode | 2.5 | 6.5 | - | V/μs |
| | | High-speed mode | 18 | 45 | - | |
| AO | Open loop gain | 100mV ≤ Output dynamic range ≤ V _{DDA} - 100mV | 65 | 95 | - | dB |
| | | 200mV ≤ Output dynamic range ≤ V _{DDA} - 200mV | 75 | 95 | - | |
| V _{OHSAT} ⁽³⁾ | High saturation voltage | I _{load} = max or R _{load} = min Input at V _{DDA} . Follower mode | V _{DDA} - 100 | - | - | mV |
| V _{OLSAT} ⁽³⁾ | Low saturation voltage | I _{load} = max or R _{load} = min Input at 0. Follower mode | - | - | 100 | |
| φ _m | Phase margin | Follower mode, V _{com} =V _{DDA} /2 | - | 65 | - | ° |
| GM | Gain margin | Follower mode, V _{com} =V _{DDA} /2 | - | 10 | - | dB |

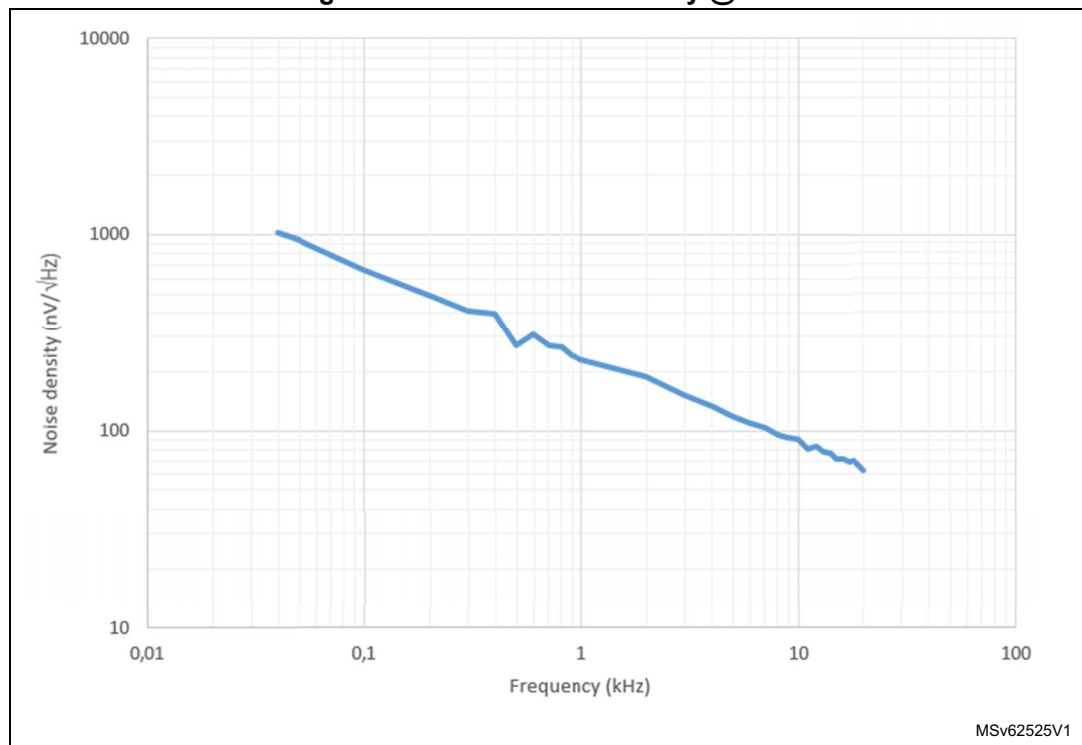
Table 83. OPAMP characteristics^{(1) (2)} (continued)

| Symbol | Parameter | Conditions | Min | Typ | Max | Unit | |
|---|---|--|--------------------|-----|-----|---------|---|
| $t_{WAKEUP}^{(3)}$ | Wake up time from OFF state. | Normal mode $C_{LOAD} \leq 50$ pf, $R_{LOAD} \geq 4$ k Ω follower configuration | - | 3 | 6 | μ s | |
| | | High-speed mode $C_{LOAD} \leq 50$ pf, $R_{LOAD} \geq 20$ k Ω follower configuration | - | 3 | 6 | | |
| I_{bias} | OPAMP input bias current | See I_{leak} parameter in Table 57: I/O static characteristics for given pin. | | | | | |
| PGA gain | Non inverting gain value ⁽⁴⁾ | PGA Gain = 2 $0.1 \leq$ Out dynamic range $\leq V_{DDA} - 0.1$ | $V_{DDA} < 2.2$ | -2 | - | 2 | % |
| | | | $V_{DDA} \geq 2.2$ | -1 | - | 1 | |
| | | PGA Gain=4, $100mV \leq$ Output dynamic range $\leq V_{DDA} - 100mV$ | | -1 | - | 1 | |
| | | PGA Gain=8 $100mV \leq$ Output dynamic range $\leq V_{DDA} - 100mV$ | | -1 | - | 1 | |
| | | PGA Gain=16, $100mV \leq$ Output dynamic range $\leq V_{DDA} - 100mV$ | | -1 | - | 1 | |
| | | PGA Gain=32 $200mV \leq$ Output $\leq V_{DDA} - 200mV$ | | -2 | - | 2 | |
| | Inverting gain value | PGA Gain = -1 $100mV \leq$ Output dynamic range $\leq V_{DDA} - 100mV$ | $V_{DDA} < 2.2$ | -2 | - | 2 | % |
| | | | $V_{DDA} \geq 2.2$ | -1 | - | 1 | |
| | | PGA Gain=-3, $100mV \leq$ Output dynamic range $\leq V_{DDA} - 100mV$ | | -1 | - | 1 | |
| | | PGA Gain=-7 $100mV \leq$ Output dynamic range $\leq V_{DDA} - 100mV$ | | -1 | - | 1 | |
| | | PGA Gain=-15, $100mV \leq$ Output dynamic range $\leq V_{DDA} - 100mV$ | | -1 | - | 1 | |
| | | PGA Gain=-31 $200mV \leq$ Output $\leq V_{DDA} - 200mV$ | | -2 | - | 2 | |
| PGA Gain=-63 $200mV \leq$ Output dynamic range $\leq V_{DDA} - 200mV$ | | -5 | - | 2 | | | |

Table 83. OPAMP characteristics^{(1) (2)} (continued)

| Symbol | Parameter | Conditions | Min | Typ | Max | Unit | |
|------------------------------|---|------------------------------------|------------------------|--------|------|--------|----|
| R _{network} | R2/R1 internal resistance values in non-inverting PGA mode ⁽⁵⁾ | PGA Gain = 2 | - | 10/10 | - | kΩ/kΩ | |
| | | PGA Gain = 4 | - | 30/10 | - | | |
| | | PGA Gain = 8 | - | 70/10 | - | | |
| | | PGA Gain = 16 | - | 150/10 | - | | |
| | | PGA Gain = 32 | - | 310/10 | - | | |
| | | PGA Gain = 64 | - | 630/10 | - | | |
| | R2/R1 internal resistance values in inverting PGA mode ⁽⁵⁾ | PGA Gain = -1 | - | 10/10 | - | | |
| | | PGA Gain = -3 | - | 30/10 | - | | |
| | | PGA Gain = -7 | - | 70/10 | - | | |
| | | PGA Gain = -15 | - | 150/10 | - | | |
| | | PGA Gain = -31 | - | 310/10 | - | | |
| | | PGA Gain = -63 | - | 630/10 | - | | |
| Delta R | Resistance variation (R1 or R2) | - | -15 | - | +15 | % | |
| PGA BW | PGA bandwidth for different non inverting gain | Gain = 2 | - | GBW/2 | - | MHz | |
| | | Gain = 4 | - | GBW/4 | - | | |
| | | Gain = 8 | - | GBW/8 | - | | |
| | | Gain = 16 | - | GBW/16 | - | | |
| | | Gain = 32 | - | GBW/32 | - | | |
| | | Gain = 64 | - | GBW/64 | - | | |
| | PGA bandwidth for different inverting gain | Gain = -1 | - | GBW/2 | - | MHz | |
| | | Gain = -3 | - | GBW/4 | - | | |
| | | Gain = -7 | - | GBW/8 | - | | |
| | | Gain = -15 | - | GBW/16 | - | | |
| | | Gain = -31 | - | GBW/32 | - | | |
| | | Gain = -63 | - | GBW/64 | - | | |
| eN | Voltage noise density | at 1 kHz, Output loaded with 4 kΩ | - | 250 | - | nV/√Hz | |
| | | at 10 kHz, Output loaded with 4 kΩ | - | 90 | - | | |
| I _{DDA} (OPAMP) | OPAMP consumption from V _{DDA} | Normal mode | No load, follower mode | - | 1.3 | 2.2 | mA |
| | | High-speed mode | | - | 1.4 | 2.6 | |
| T _{S_OPAMP_VOUT} | ADC sampling time when reading the OPAMP output. OPAINTOEN=1 | V _{DDA} < 2V | 300 | - | - | ns | |
| | | V _{DDA} ≥ 2V | 200 | - | - | | |
| I _{DDA} (OPAMP INT) | OPAMP consumption from V _{DDA} . OPAINTOEN=1 | Normal mode | no load, follower mode | - | 0.45 | 0.7 | mA |
| | | High-speed mode | | - | 0.5 | 0.8 | |

1. Guaranteed by design, unless otherwise specified.
2. Data guaranteed on normal and high speed mode unless otherwise specified.
3. Guaranteed by characterization results.
4. Valid also for inverting gain configuration with external bias.
5. R2 is the internal resistance between OPAMP output and OPAMP inverting input. R1 is the internal resistance between OPAMP inverting input and ground. The PGA gain = $1+R2/R1$

Figure 33. OPAMP noise density @ 25°C

5.3.24 Temperature sensor characteristics

Table 84. TS characteristics

| Symbol | Parameter | Min | Typ | Max | Unit |
|-------------------------------|--|-------|---------|---------|------------------------|
| $T_L^{(1)}$ | V_{TS} linearity with temperature | - | ± 1 | ± 2 | $^{\circ}\text{C}$ |
| Avg_Slope ⁽¹⁾ | Average slope | 2.3 | 2.5 | 2.7 | mV/ $^{\circ}\text{C}$ |
| V_{30} | Voltage at 30 $^{\circ}\text{C}$ (± 5 $^{\circ}\text{C}$) ⁽²⁾ | 0.742 | 0.76 | 0.785 | V |
| $t_{\text{START-RUN}}^{(1)}$ | Start-up time in Run mode (start-up of buffer) | - | 8 | 15 | μs |
| $t_{\text{START-CONT}}^{(3)}$ | Start-up time when entering in continuous mode | - | 70 | 120 | μs |
| $t_{\text{S_temp}}^{(1)}$ | ADC sampling time when reading the temperature | 5 | - | - | μs |
| $I_{\text{DD(TS)}}^{(1)}$ | Temperature sensor consumption from V_{DD} , when selected by ADC | - | 4.7 | 7 | μA |

1. Guaranteed by design.
2. Measured at $V_{\text{DDA}} = 3.0 \text{ V} \pm 10 \text{ mV}$. The V_{30} ADC conversion result is stored in the TS_CAL1 byte. Refer to [Table 5: Temperature sensor calibration values](#).
3. Continuous mode means RUN mode or Temperature Sensor ON.

5.3.25 V_{BAT} monitoring characteristics

Table 85. V_{BAT} monitoring characteristics

| Symbol | Parameter | Min | Typ | Max | Unit |
|----------------------------|---|-----|-----|-----|---------------|
| R | Resistor bridge for V_{BAT} | - | 39 | - | k Ω |
| Q | Ratio on V_{BAT} measurement | - | 3 | - | - |
| $E_r^{(1)}$ | Error on Q | -10 | - | 10 | % |
| $t_{\text{S_vbat}}^{(1)}$ | ADC sampling time when reading the V_{BAT} | 12 | - | - | μs |

1. Guaranteed by design.

Table 86. V_{BAT} charging characteristics

| Symbol | Parameter | Conditions | Min | Typ | Max | Unit |
|-----------------|---------------------------|------------|-----|-----|-----|------------|
| R_{BC} | Battery charging resistor | VBRS = 0 | - | 5 | - | k Ω |
| | | VBRS = 1 | - | 1.5 | - | |

5.3.26 Timer characteristics

The parameters given in the following tables are guaranteed by design.

Refer to [Section 5.3.14: I/O port characteristics](#) for details on the input/output alternate function characteristics (output compare, input capture, external clock, PWM output).

Table 87. TIMx⁽¹⁾ characteristics⁽²⁾

| Symbol | Parameter | Conditions | Min | Max | Unit |
|-------------------|---|---------------------------------|---------|----------------------|---------------|
| $t_{res(TIM)}$ | Timer resolution time | - | 1 | - | $t_{TIMxCLK}$ |
| | | $f_{TIMxCLK} = 170 \text{ MHz}$ | 6.66 | - | ns |
| f_{EXT} | Timer external clock frequency on CH1 to CH4 | - | 0 | $f_{TIMxCLK}/2$ | MHz |
| | | $f_{TIMxCLK} = 170 \text{ MHz}$ | 0 | 75 | MHz |
| Res_{TIM} | Timer resolution | TIMx (except TIM2 and TIM5) | - | 16 | bit |
| | | TIM2 and TIM5 | - | 32 | |
| $t_{COUNTER}$ | 16-bit counter clock period | - | 1 | 65536 | $t_{TIMxCLK}$ |
| | | $f_{TIMxCLK} = 170 \text{ MHz}$ | 0.00666 | 436.9 | μs |
| t_{MAX_COUNT} | Maximum possible count with 32-bit counter | - | - | 65536×65536 | $t_{TIMxCLK}$ |
| | | $f_{TIMxCLK} = 170 \text{ MHz}$ | - | 28.63 | s |
| f_{ENC} | Encoder frequency on T11 and T12 input pins | - | 0 | $f_{TIMxCLK}/4$ | MHz |
| | | $f_{TIMxCLK} = 170 \text{ MHz}$ | 0 | 37.5 | MHz |
| $t_{W(INDEX)}$ | Index pulsewidth on ETR input | - | 2 | - | Tck |
| $t_{W(TI1, TI2)}$ | Min pulsewidth on T11 and T12 inputs in all encoder modes except directional clock x1 | - | 2 | - | Tck |
| | Min pulsewidth on T11 and T12 inputs in directional clock x1 | - | 3 | - | Tck |

1. TIMx is used as a general term in which x stands for 1,2,3,4,5,6,7,8,15,16, 17 or 20.

2. Guaranteed by design.

Table 88. IWDG min/max timeout period at 32 kHz (LSI)⁽¹⁾⁽²⁾

| Prescaler divider | PR[2:0] bits | Min timeout RL[11:0]= 0x000 | Max timeout RL[11:0]= 0xFFFF | Unit |
|-------------------|--------------|--------------------------------|---------------------------------|------|
| /4 | 0 | 0.125 | 512 | ms |
| /8 | 1 | 0.250 | 1024 | |
| /16 | 2 | 0.500 | 2048 | |
| /32 | 3 | 1.0 | 4096 | |
| /64 | 4 | 2.0 | 8192 | |
| /128 | 5 | 4.0 | 16384 | |
| /256 | 6 or 7 | 8.0 | 32768 | |

1. Guaranteed by design.
2. The exact timings still depend on the phasing of the APB interface clock versus the LSI clock so that there is always a full RC period of uncertainty.

Table 89. WWDG min/max timeout value at 170 MHz (PCLK)⁽¹⁾

| Prescaler | WDGTB | Min timeout value | Max timeout value | Unit |
|-----------|-------|-------------------|-------------------|------|
| 1 | 0 | 0.0241 | 1.542 | ms |
| 2 | 1 | 0.0482 | 3.084 | |
| 4 | 2 | 0.0964 | 6.168 | |
| 8 | 3 | 0.1928 | 12.336 | |

1. Guaranteed by design.

5.3.27 Communication interfaces characteristics

I²C interface characteristics

The I2C interface meets the timings requirements of the I²C-bus specification and user manual rev. 03 for:

- Standard-mode (Sm): with a bit rate up to 100 kbit/s
- Fast-mode (Fm): with a bit rate up to 400 kbit/s
- Fast-mode Plus (Fm+): with a bit rate up to 1 Mbit/s.

The I2C timings requirements are guaranteed by design when the I2C peripheral is properly configured (refer to reference manual RM0440 "STM32G4 Series advanced Arm[®]-based 32-bit MCUs") and when the I2CCLK frequency is greater than the minimum shown in the table below.

Table 90. Minimum I2CCLK frequency in all I2C modes

| Symbol | Parameter | Condition | Min | Unit | |
|-----------|------------------|----------------|----------------------------|------|----|
| f(I2CCLK) | I2CCLK frequency | Standard mode | 2 | MHz | |
| | | Fast-mode | Analog Filtre ON DNF=0 | | 8 |
| | | | Analog Filtre OFF DNF=1 | | 9 |
| | | Fast-mode Plus | Analog Filtre ON DNF=0 | | 17 |
| | | | Analog Filtre OFF DNF=1 | | 16 |

The SDA and SCL I/O requirements are met with the following restrictions:

- The SDA and SCL I/O pins are not “true” open-drain. When configured as open-drain, the PMOS connected between the I/O pin and V_{DDIOx} is disabled, but is still present.
- The 20mA output drive requirement in Fast-mode Plus is supported partially. This limits the maximum load C_{load} supported in Fm+, which is given by these formulas:
 - $t_r(\text{SDA/SCL}) = 0.8473 \times R_p \times C_{\text{load}}$
 - $R_p(\text{min}) = (V_{\text{DD}} - V_{\text{OL}}(\text{max})) / I_{\text{OL}}(\text{max})$

Where R_p is the I2C lines pull-up. Refer to [Section 5.3.14: I/O port characteristics](#) for the I2C I/Os characteristics.

All I2C SDA and SCL I/Os embed an analog filter. Refer to [Table 91](#) below for the analog filter characteristics:

Table 91. I2C analog filter characteristics⁽¹⁾

| Symbol | Parameter | Min | Max | Unit |
|-----------------|--|-------------------|-------------------|------|
| t _{AF} | Maximum pulse width of spikes that are suppressed by the analog filter | 50 ⁽²⁾ | 90 ⁽³⁾ | ns |

1. Guaranteed by design.
2. Spikes with widths below t_{AF(min)} are filtered.
3. Spikes with widths above t_{AF(max)} are not filtered

SPI characteristics

Unless otherwise specified, the parameters given in [Table 92](#) for SPI are derived from tests performed under the ambient temperature, f_{PCLKx} frequency and supply voltage conditions summarized in [Table 17: General operating conditions](#).

- Output speed is set to OSPEEDRy[1:0] = 11
- Capacitive load C = 30 pF
- Measurement points are done at CMOS levels: 0.5 x V_{DD}

Refer to [Section 5.3.14: I/O port characteristics](#) for more details on the input/output alternate function characteristics (NSS, SCK, MOSI, MISO for SPI).

Table 92. SPI characteristics⁽¹⁾

| Symbol | Parameter | Conditions | Min | Typ | Max ⁽²⁾ | Unit |
|--|--------------------------|--|----------------------|-------------------|----------------------|------|
| f_{SCK} $1/t_{c(SCK)}$ | SPI clock frequency | Master mode 2.7 V < V _{DD} < 3.6 V Voltage Range V1 | - | - | 75 | MHz |
| | | Master mode 1.71 V < V _{DD} < 3.6 V Voltage Range V1 | | | 50 | |
| | | Master transmitter mode 1.71 V < V _{DD} < 3.6 V Voltage Range V1 | | | 50 | |
| | | Slave receiver mode 1.71 V < V _{DD} < 3.6 V Voltage Range V1 | | | 50 | |
| | | Slave mode transmitter/full duplex 2.7 V < V _{DD} < 3.6 V Voltage Range V1 | | | 41 | |
| | | Slave mode transmitter/full duplex 1.71 V < V _{DD} < 3.6 V Voltage Range V1 | | | 27 | |
| | | 1.71 V < V _{DD} < 3.6 V Voltage Range V2 | | | 13 | |
| t _{su(NSS)} | NSS setup time | Slave mode | 4*T _{pclk} | - | - | - |
| t _{h(NSS)} | NSS hold time | Slave mode | 2*T _{pclk} | - | - | - |
| t _{w(SCKH)} t _{w(SCKL)} | SCK high and low time | Master mode, SPI prescaler = 2 | T _{pclk} -1 | T _{pclk} | T _{pclk} +1 | ns |
| t _{su(MI)} | Data input setup time | Master mode | 4 | - | - | ns |
| t _{su(SI)} | | Slave mode | 3 | - | - | |
| t _{h(MI)} | Data input hold time | Master mode | 4 | - | - | ns |
| t _{h(SI)} | | Slave mode | 1 | - | - | |
| t _{a(SO)} | Data output access time | Slave mode | 9 | - | 34 | ns |
| t _{dis(SO)} | Data output disable time | Slave mode | 9 | - | 16 | ns |

Table 92. SPI characteristics⁽¹⁾ (continued)

| Symbol | Parameter | Conditions | Min | Typ | Max ⁽²⁾ | Unit |
|-------------|------------------------|---|-----|-----|--------------------|------|
| $t_{v(SO)}$ | Data output valid time | Slave mode 2.7 V < V_{DD} < 3.6 V Voltage Range V1 | - | 9 | 12 | ns |
| | | Slave mode 1.71 V < V_{DD} < 3.6 V Voltage Range V1 | - | 9 | 18 | |
| | | Slave mode 1.71 V < V_{DD} < 3.6 V Voltage Range V2 | - | 13 | 22 | |
| $t_{v(MO)}$ | | Master mode | - | 3.5 | 4.5 | |
| $t_{h(SO)}$ | Data output hold time | Slave mode 1.71 V < V_{DD} < 3.6 V | 6 | - | - | |
| | | Slave mode Range V2 | 9 | - | - | |
| $t_{h(MO)}$ | | Master mode | 2 | - | - | |

1. Guaranteed by characterization results.
2. The maximum frequency in Slave transmitter mode is determined by the sum of $t_{v(SO)}$ and $t_{su(MI)}$ which has to fit into SCK low or high-phase preceding the SCK sampling edge. This value can be achieved when the SPI communicates with a master having $t_{su(MI)} = 0$ while $Duty(SCK) = 50\%$.

Figure 34. SPI timing diagram - slave mode and CPHA = 0

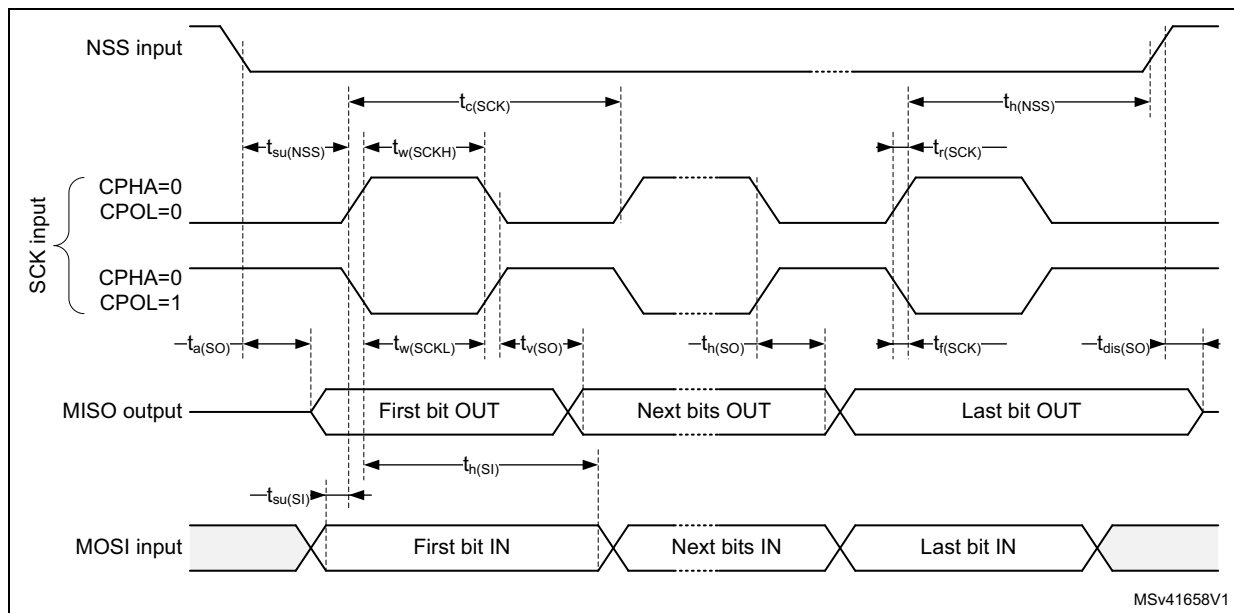
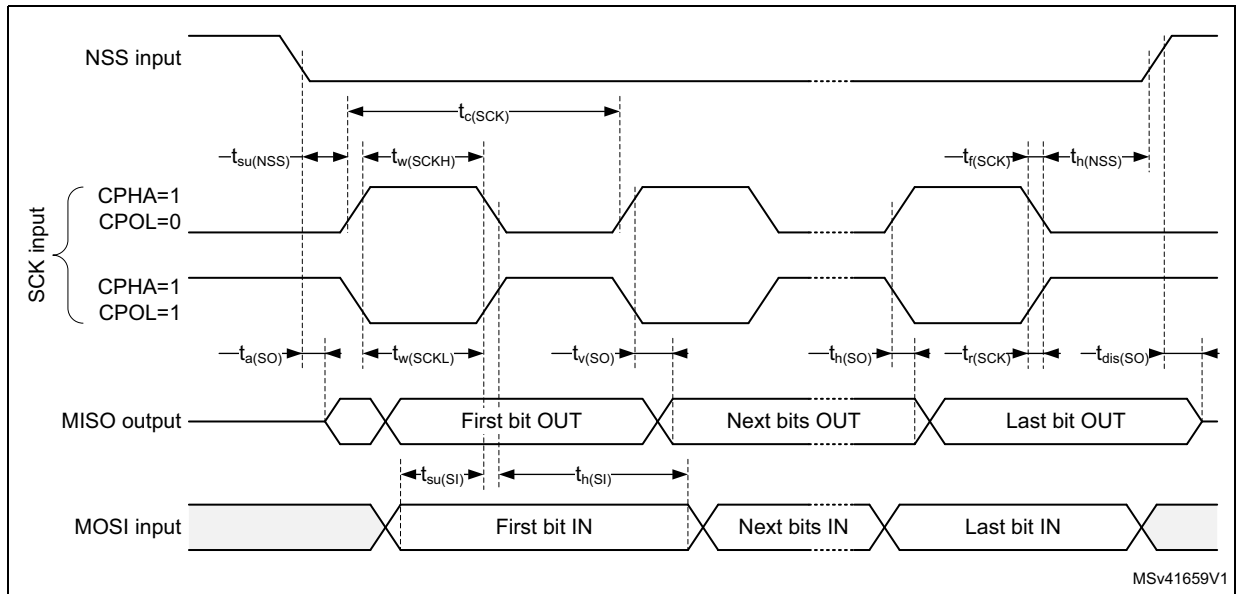
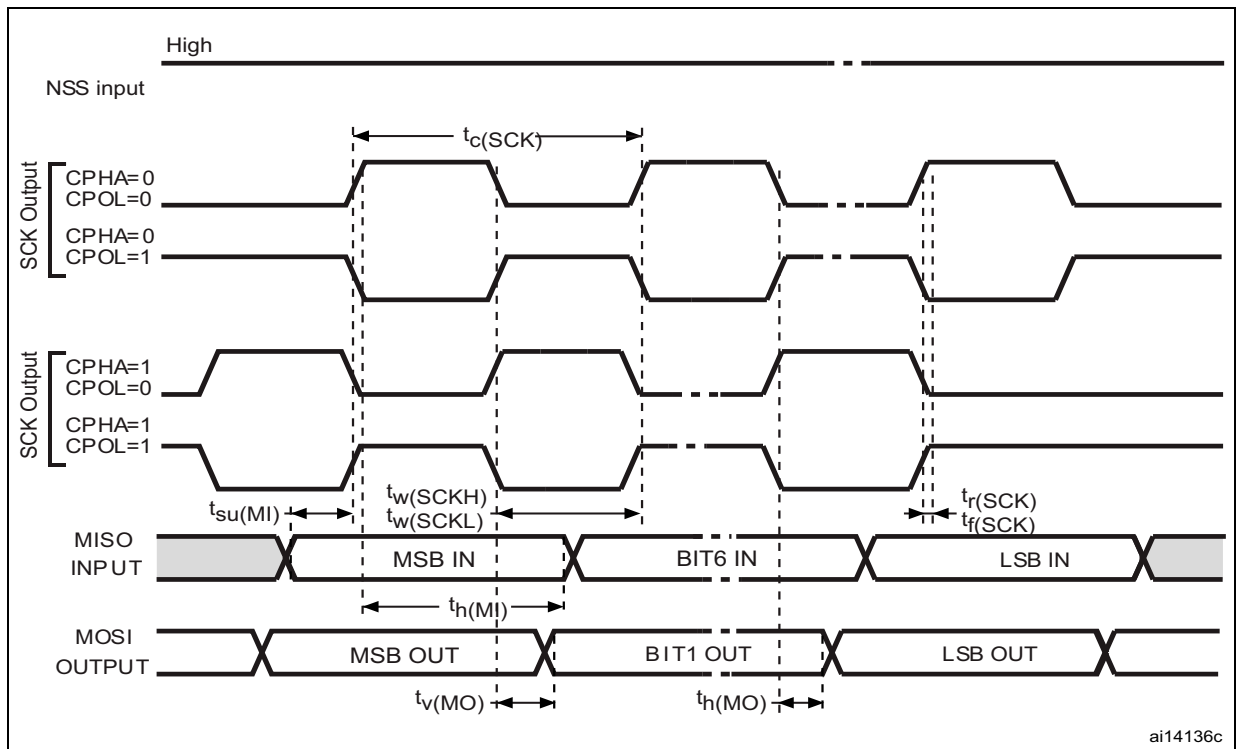


Figure 35. SPI timing diagram - slave mode and CPHA = 1



1. Measurement points are done at CMOS levels: 0.3 V_{DD} and 0.7 V_{DD}.

Figure 36. SPI timing diagram - master mode



1. Measurement points are done at CMOS levels: 0.3 V_{DD} and 0.7 V_{DD}.

I2S characteristics

Unless otherwise specified, the parameters given in [Table 93](#) for I2S are derived from tests performed under the ambient temperature, f_{PCLKx} frequency and V_{DD} supply voltage conditions summarized in [Table 17: General operating conditions](#), with the following configuration:

- Output speed is set to $OSPEEDRy[1:0] = 10$
- Capacitive load $C=30pF$
- Measurement points are done at CMOS levels: $0.5 V_{DD}$

Refer to [Section 5.3.14: I/O port characteristics](#) for more details on the input/output alternate function characteristics (CK,SD,WS).

Table 93. I2S characteristics⁽¹⁾

| Symbol | Parameter | Conditions | Min | Max | Unit | |
|------------------|--------------------------------|--|---------------------------------|------------------------|------|----|
| f_{MCLK} | I2S Main clock output | - | 256x8 K | 256 *Fs ⁽²⁾ | MHz | |
| f_{CK} | I2S clock frequency | Master data | - | 64xFs | MHz | |
| | | Slave data | - | 64xFs | | |
| D_{CK} | I2S clock frequency duty cycle | Slave receiver | 30 | 70 | % | |
| $t_{v(WS)}$ | WS valid time | Master mode | - | 6 | ns | |
| $t_{h(WS)}$ | WS hold time | Master mode | 3 | - | | |
| | | Slave mode | 2 | - | | |
| $t_{su(WS)}$ | WS setup time | Slave mode | 4 | - | | |
| $t_{su(SD_MR)}$ | Data input setup time | Master receiver | 3 | - | | |
| $t_{su(SD_SR)}$ | | Slave receiver | 4 | - | | |
| $t_{h(SD_MR)}$ | Data input hold time | Master receiver | 4 | - | | |
| $t_{h(SD_SR)}$ | | Slave receiver | 2 | - | | |
| $t_{v(SD_ST)}$ | Data output valid time | Slave transmitter (after enable edge) | $2.7 V \leq V_{DD} \leq 3.6 V$ | - | | 15 |
| | | | $1.65 V \leq V_{DD} \leq 3.6 V$ | - | | 22 |
| $t_{v(SD_MT)}$ | | Master transmitter (after enable edge) | - | 3 | | |
| $t_{h(SD_ST)}$ | Data output hold time | Slave transmitter (after enable edge) | 7 | - | | |
| $t_{h(SD_MT)}$ | | Master transmitter (after enable edge) | 1 | - | | |

1. Guaranteed by characterization results, not tested in production.
2. 256xFs maximum is 49.152 MHz.

Note: Refer to the reference manual RM0440 "STM32G4 Series advanced Arm®-based 32-bit MCUs" I2S section for more details about the sampling frequency (Fs), f_{MCK} , f_{CK} , D_{CK} values reflect only the digital peripheral behavior, source clock precision might slightly change the values D_{CK} depends mainly on ODD bit value. Digital contribution leads to a min of $(I2SDIV)/(2*I2SDIV+ODD)$ and a max $(I2SDIV+ODD)/(2*I2SDIV+ODD)$ and Fs max supported for each mode/condition.



SAI characteristics

Unless otherwise specified, the parameters given in [Table 94](#) for SAI are derived from tests performed under the ambient temperature, f_{PCLKx} frequency and V_{DD} supply voltage conditions summarized in [Table 17: General operating conditions](#), with the following configuration:

- Output speed is set to $OSPEEDRy[1:0] = 10$
- Capacitive load $C = 30$ pF
- Measurement points are done at CMOS levels: $0.5 \times V_{DD}$

Refer to [Section 5.3.14: I/O port characteristics](#) for more details on the input/output alternate function characteristics (CK,SD,FS).

Table 94. SAI characteristics⁽¹⁾

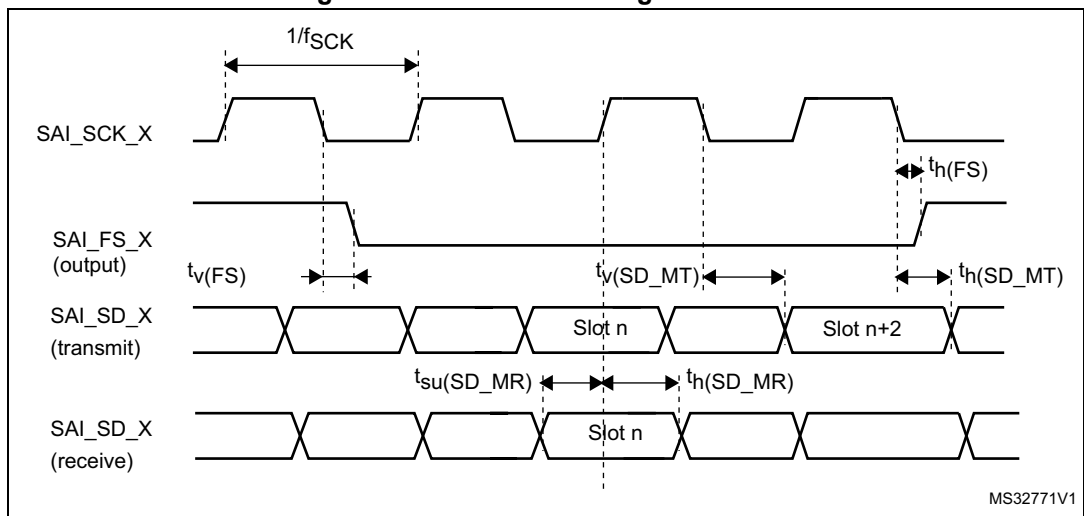
| Symbol | Parameter | Conditions | Min | Max | Unit |
|---------------------|------------------------------------|--|-----|-----|------|
| f_{MCLK} | SAI Main clock output | - | - | 50 | MHz |
| f_{CK} | SAI clock frequency ⁽²⁾ | Master transmitter $2.7\text{ V} \leq V_{DD} \leq 3.6\text{ V}$ Voltage Range 1 | - | 33 | MHz |
| | | Master transmitter $1.71\text{ V} \leq V_{DD} \leq 3.6\text{ V}$ Voltage Range 1 | - | 22 | |
| | | Master receiver Voltage Range 1 | - | 22 | |
| | | Slave transmitter $2.7\text{ V} \leq V_{DD} \leq 3.6\text{ V}$ Voltage Range 1 | - | 45 | |
| | | Slave transmitter $1.71\text{ V} \leq V_{DD} \leq 3.6\text{ V}$ Voltage Range 1 | - | 29 | |
| | | Slave receiver Voltage Range 1 | - | 50 | |
| | | Slave transmitter Voltage Range 2 | - | 13 | |
| $t_{V(FS)}$ | FS valid time | Master mode $2.7\text{ V} \leq V_{DD} \leq 3.6\text{ V}$ | - | 15 | ns |
| | | Master mode $1.71\text{ V} \leq V_{DD} \leq 3.6\text{ V}$ | - | 22 | |
| $t_{h(FS)}$ | FS hold time | Master mode | 10 | - | ns |
| $t_{su(FS)}$ | FS setup time | Slave mode | 2 | - | ns |
| $t_{h(FS)}$ | FS hold time | Slave mode | 1 | - | ns |
| $t_{su(SD_A_MR)}$ | Data input setup time | Master receiver | 2.5 | - | ns |
| $t_{su(SD_B_SR)}$ | | Slave receiver | 1 | - | |
| $t_{h(SD_A_MR)}$ | Data input hold time | Master receiver | 5 | - | ns |
| $t_{h(SD_B_SR)}$ | | Slave receiver | 1 | - | |
| $t_{V(SD_B_ST)}$ | Data output valid time | Slave transmitter (after enable edge) $2.7\text{ V} \leq V_{DD} \leq 3.6\text{ V}$ | - | 11 | ns |
| | | Slave transmitter (after enable edge) $1.71\text{ V} \leq V_{DD} \leq 3.6\text{ V}$ | - | 17 | |
| | | Slave transmitter (after enable edge) voltage range V2 | - | 20 | |
| $t_{h(SD_B_ST)}$ | Data output hold time | Slave transmitter (after enable edge) | 10 | - | ns |

Table 94. SAI characteristics⁽¹⁾ (continued)

| Symbol | Parameter | Conditions | Min | Max | Unit |
|--------------------|------------------------|---|-----|-----|------|
| $t_{v(SD_A_MT)}$ | Data output valid time | Master transmitter (after enable edge) $2.7\text{ V} \leq V_{DD} \leq 3.6\text{ V}$ | - | 14 | ns |
| | | Master transmitter (after enable edge) $1.71\text{ V} \leq V_{DD} \leq 3.6\text{ V}$ | - | 21 | |
| $t_{h(SD_A_MT)}$ | Data output hold time | Master transmitter (after enable edge) | 10 | - | ns |

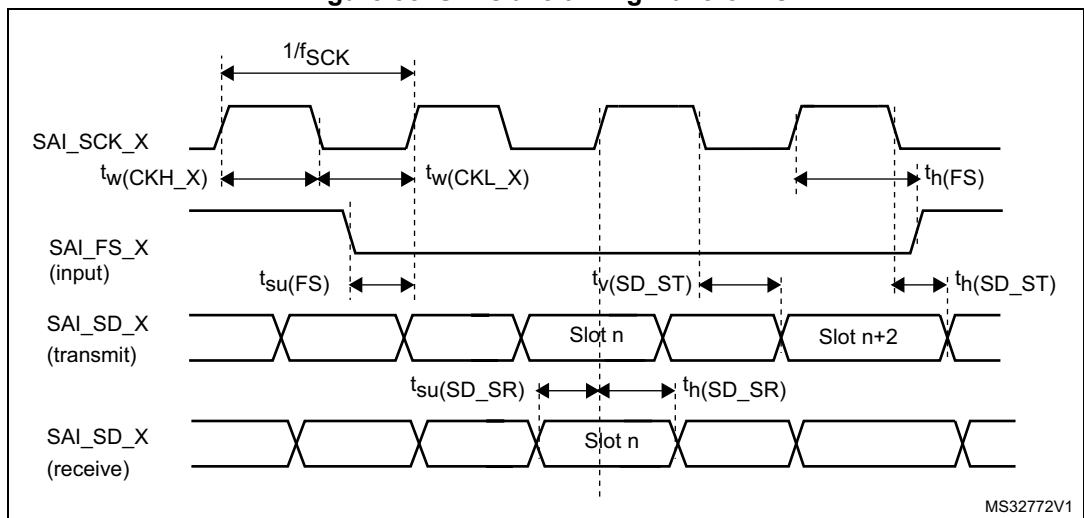
1. Guaranteed by characterization results.
2. APB clock frequency must be at least twice SAI clock frequency.

Figure 37. SAI master timing waveforms



MS32771V1

Figure 38. SAI slave timing waveforms



MS32772V1

CAN (controller area network) interface

Refer to [Section 5.3.14: I/O port characteristics](#) for more details on the input/output alternate function characteristics (FDCANx_TX and FDCANx_RX).

USB characteristics

The device USB interface is fully compliant with the USB specification version 2.0 and is USB-IF certified (for Full-speed device operation).

Table 95. USB electrical characteristics⁽¹⁾

| Symbol | Parameter | Conditions | Min | Typ | Max | Unit |
|----------------------------------|--|----------------------|--------------------|------|------|------|
| V _{DD} | USB transceiver operating voltage | | 3.0 ⁽²⁾ | - | 3.6 | V |
| t _{Crystal_less} | USB crystal less operation temperature | | -15 | - | 85 | °C |
| R _{PUI} | Embedded USB_DP pull-up value during idle | | 900 | 1250 | 1500 | Ω |
| R _{PUR} | Embedded USB_PD pull-up value during reception | | 1400 | 2300 | 3200 | |
| Z _{sDRV} ⁽³⁾ | Output driver impedance ⁽⁴⁾ | Driving high and low | 28 | 36 | 44 | Ω |

- TA = -40 to 125 °C unless otherwise specified.
- The device USB functionality is ensured down to 2.7 V but not the full USB electrical characteristics, which are degraded in the 2.7-to-3.0 V voltage range.
- Guarantee by design.
- No external termination series resistors are required on USB_PD (D+) and USB_DM (D-); the matching impedance is already included in the embedded driver.

USART interface characteristics

Unless otherwise specified, the parameters given in [Table 96](#) for USART are derived from tests performed under the ambient temperature, f_{PCLKx} frequency and V_{DD} supply voltage conditions summarized in [Table 96](#), with the following configuration:

- Output speed is set to OSPEEDRy[1:0] = 10
- Capacitive load C=30 pF
- Measurement points are done at CMOS levels: 0.5 V_{DD}

Refer to [Section 5.3.14: I/O port characteristics](#) for more details on the input/output alternate function characteristics (NSS, CK, TX, RX for USART).

Table 96. USART electrical characteristics⁽¹⁾

| Symbol | Parameter | Conditions | Min | Typ | Max | Unit |
|--|-----------------------|-------------|------------------------|----------------------|------------------------|------|
| f _{CK} | USART clock frequency | Master mode | - | - | 21 | MHz |
| | | Slave mode | - | - | 22 | |
| t _{su} (NSS) | NSS setup time | Slave mode | t _{ker} + 2 | - | - | ns |
| t _h (NSS) | NSS hold time | Slave mode | 2 | - | - | |
| t _w (CKH) t _w (CKL) | CK high and low time | Master mode | 1/f _{ck} /2-1 | 1/f _{ck} /2 | 1/f _{ck} /2+1 | ns |
| t _{su} (RX) | Data input setup time | Master mode | t _{ker} + 2 | - | - | ns |
| | | Slave mode | 2 | - | - | |
| t _h (RX) | Data input hold time | Master mode | 1 | - | - | ns |
| | | Slave mode | 0.5 | - | - | |

Table 96. USART electrical characteristics⁽¹⁾ (continued)

| Symbol | Parameter | Conditions | Min | Typ | Max | Unit |
|---------------------|------------------------|-------------|-----|-----|-----|------|
| t _v (TX) | Data output valid time | Master mode | - | 0.5 | 1.5 | ns |
| | | Slave mode | - | 10 | 22 | |
| t _h (RX) | Data output hold time | Master mode | 0 | - | - | |
| | | Slave mode | 7 | - | - | |

1. Based on characterization, not tested in production.

5.3.28 FSMC characteristics

Unless otherwise specified, the parameters given in [Table 97](#) to [Table 110](#) for the FMC interface are derived from tests performed under the ambient temperature, f_{HCLK} frequency and V_{DD} supply voltage conditions summarized in [Table 17](#), with the following configuration:

- Output speed is set to OSPEEDRy[1:0] = 11
- Capacitive load C = 30 pF
- Measurement points are done at CMOS levels: 0.5 x V_{DD}

Refer to [Section 5.3.14: I/O port characteristics](#) for more details on the input/output characteristics.

Asynchronous waveforms and timings

[Figure 39](#) through [Figure 42](#) represent asynchronous waveforms and [Table 97](#) through [Table 104](#) provide the corresponding timings. The results shown in these tables are obtained with the following FMC configuration:

- AddressSetupTime = 0x1
- AddressHoldTime = 0x1
- DataHoldTime = 0x1
- ByteLaneSetup = 0x1
- DataSetupTime = 0x1 (except for asynchronous NWAIT mode, DataSetupTime = 0x5)
- BusTurnAroundDuration = 0x0

In all timing tables, the THCLK is the HCLK clock period.

Figure 39. Asynchronous non-multiplexed SRAM/PSRAM/NOR read waveforms

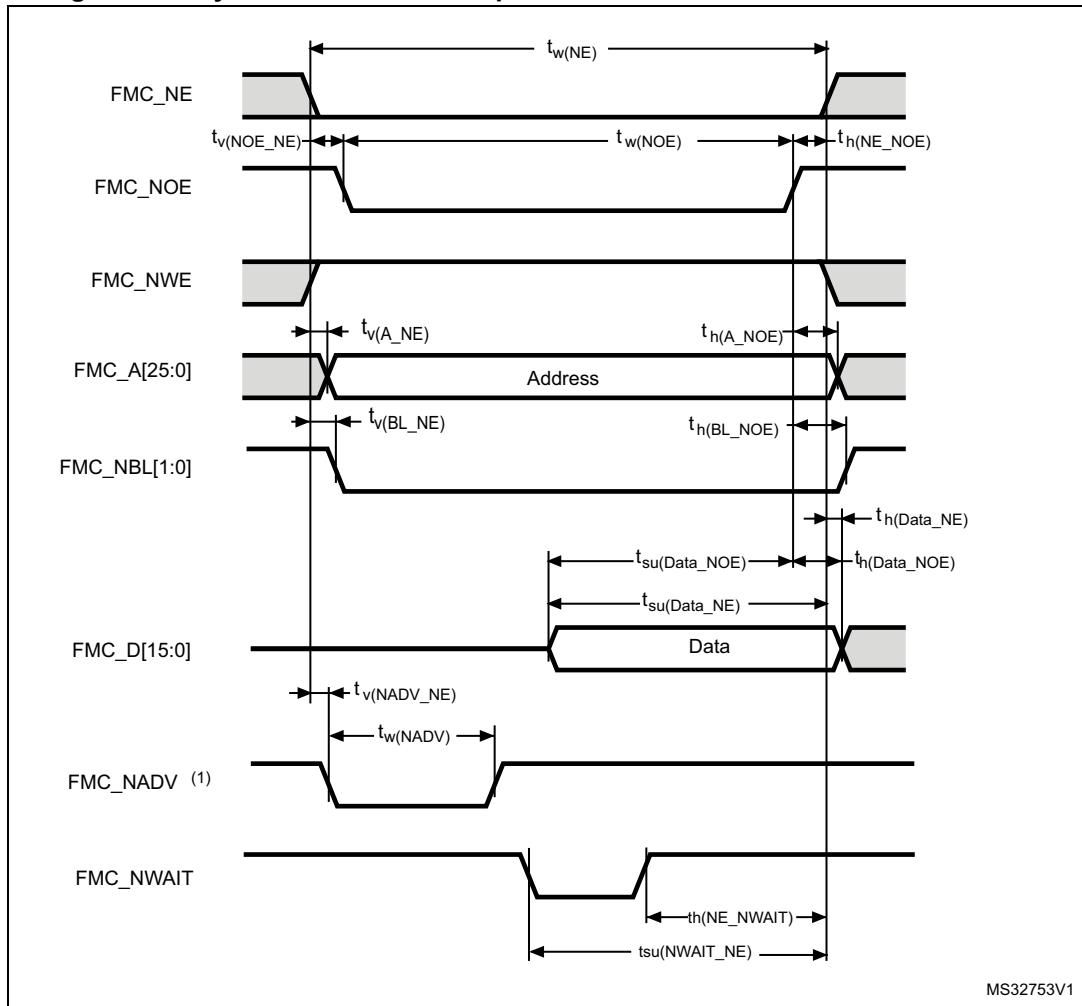


Table 97. Asynchronous non-multiplexed SRAM/PSRAM/NOR read timings⁽¹⁾⁽²⁾

| Symbol | Parameter | Min | Max | Unit |
|---------------------|---------------------------------------|--------------------|------------------|------|
| $t_{w(NE)}$ | FMC_NE low time | $3 T_{HCLK} - 0.5$ | $3 T_{HCLK} + 1$ | ns |
| $t_{v(NOE_NE)}$ | FMC_NEx low to FMC_NOE low | 0 | 1 | |
| $t_{w(NOE)}$ | FMC_NOE low time | $2 T_{HCLK} - 0.5$ | $2 T_{HCLK} + 1$ | |
| $t_{h(NE_NOE)}$ | FMC_NOE high to FMC_NE high hold time | T_{HCLK} | - | |
| $t_{v(A_NE)}$ | FMC_NEx low to FMC_A valid | - | 2 | |
| $t_{h(A_NOE)}$ | Address hold time after FMC_NOE high | $2 T_{HCLK} - 1$ | - | |
| $t_{su(Data_NE)}$ | Data to FMC_NEx high setup time | $T_{HCLK} + 20$ | - | |
| $t_{su(Data_NOE)}$ | Data to FMC_NOEx high setup time | 20 | - | |
| $t_{h(Data_NOE)}$ | Data hold time after FMC_NOE high | 0 | - | |
| $t_{h(Data_NE)}$ | Data hold time after FMC_NEx high | 0 | - | |
| $t_{v(NADV_NE)}$ | FMC_NEx low to FMC_NADV low | - | 1.5 | |
| $t_{w(NADV)}$ | FMC_NADV low time | - | $T_{HCLK} + 8$ | |

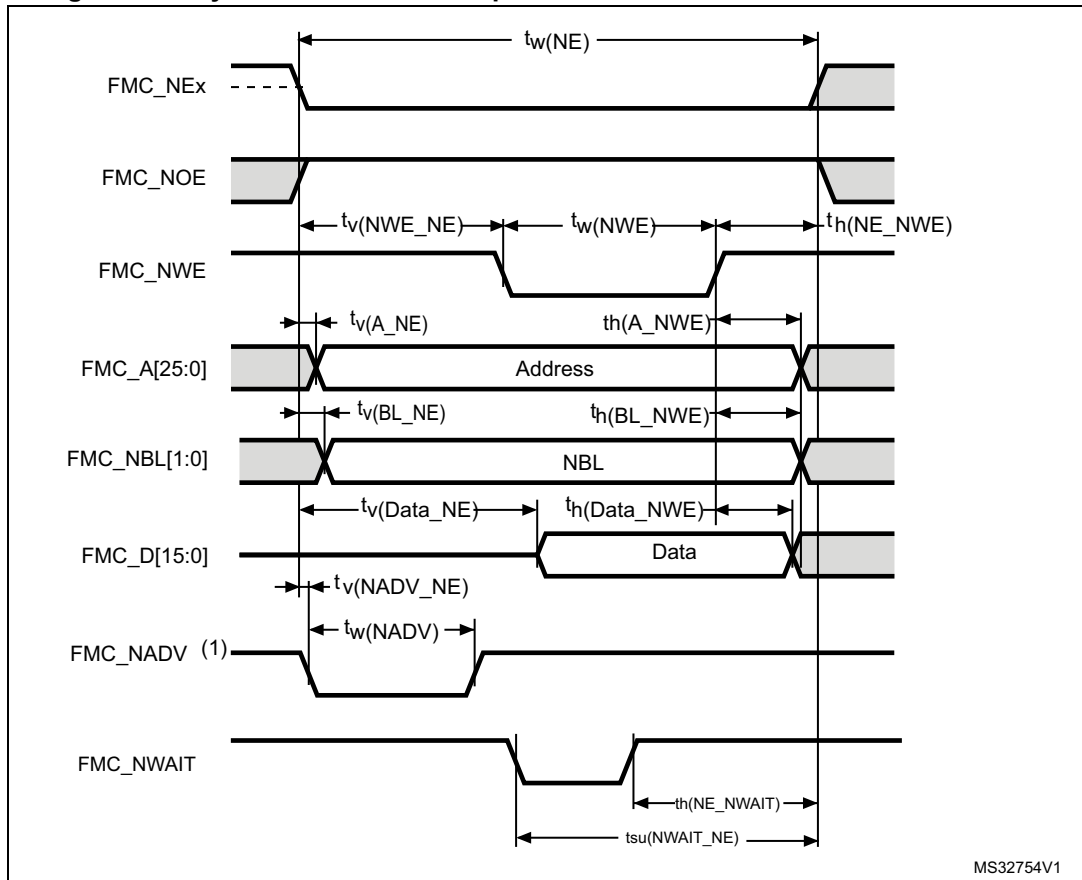
1. CL = 30 pF.
2. Guaranteed by characterization results.

Table 98. Asynchronous non-multiplexed SRAM/PSRAM/NOR read-NWAIT timings⁽¹⁾⁽²⁾

| Symbol | Parameter | Min | Max | Unit |
|---------------------|---|-------------------|--------------------|------|
| $t_{w(NE)}$ | FMC_NE low time | - | $8 T_{HCLK} + 1$ | ns |
| $t_{w(NOE)}$ | FMC_NWE low time | $7 T_{HCLK} - 1$ | $7 T_{HCLK} + 0.5$ | |
| $t_{w(NWAIT)}$ | FMC_NWAIT low time | T_{HCLK} | - | |
| $t_{su(NWAIT_NE)}$ | FMC_NWAIT valid before FMC_NEx high | $5 T_{HCLK} + 17$ | - | |
| $t_{h(NE_NWAIT)}$ | FMC_NEx hold time after FMC_NWAIT invalid | $4 T_{HCLK} + 17$ | - | |

1. CL = 30 pF.
2. Guaranteed by characterization results.

Figure 40. Asynchronous non-multiplexed SRAM/PSRAM/NOR write waveforms



MS32754V1

Table 99. Asynchronous non-multiplexed SRAM/PSRAM/NOR write timings⁽¹⁾⁽²⁾

| Symbol | Parameter | Min | Max | Unit |
|--------------------|---------------------------------------|--------------------|------------------|------|
| $t_{w(NE)}$ | FMC_NE low time | $3 T_{HCLK} - 0.5$ | $3 T_{HCLK} + 1$ | ns |
| $t_{v(NWE_NE)}$ | FMC_NEx low to FMC_NWE low | $T_{HCLK} - 0.5$ | $T_{HCLK} + 1$ | |
| $t_{w(NWE)}$ | FMC_NWE low time | $T_{HCLK} - 2$ | $T_{HCLK} + 1$ | |
| $t_{h(NE_NWE)}$ | FMC_NWE high to FMC_NE high hold time | $T_{HCLK} - 0.5$ | - | |
| $t_{v(A_NE)}$ | FMC_NEx low to FMC_A valid | - | 0 | |
| $t_{h(A_NWE)}$ | Address hold time after FMC_NWE high | $T_{HCLK} - 1$ | - | |
| $t_{v(BL_NE)}$ | FMC_NEx low to FMC_BL valid | - | 0 | |
| $t_{h(BL_NWE)}$ | FMC_BL hold time after FMC_NWE high | $T_{HCLK} + 0.5$ | - | |
| $t_{v(Data_NE)}$ | Data to FMC_NEx low to Data valid | - | $T_{HCLK} + 2$ | |
| $t_{h(Data_NWE)}$ | Data hold time after FMC_NWE high | $T_{HCLK} + 6$ | - | |
| $t_{v(NADV_NE)}$ | FMC_NEx low to FMC_NADV low | - | 1.5 | |
| $t_{w(NADV)}$ | FMC_NADV low time | - | $T_{HCLK} + 0.5$ | |

1. CL = 30 pF.

2. Guaranteed by characterization results.

Table 100. Asynchronous non-multiplexed SRAM/PSRAM/NOR write-NWAIT timings⁽¹⁾⁽²⁾

| Symbol | Parameter | Min | Max | Unit |
|---------------------|---|-------------------|------------------|------|
| $t_{w(NE)}$ | FMC_NE low time | $9 T_{HCLK} - 1$ | $9 T_{HCLK} + 1$ | ns |
| $t_{w(NWE)}$ | FMC_NWE low time | $6 T_{HCLK} - 1$ | $6 T_{HCLK} + 1$ | |
| $t_{su(NWAIT_NE)}$ | FMC_NWAIT valid before FMC_NEx high | $7 T_{HCLK} + 17$ | - | |
| $t_h(NE_NWAIT)$ | FMC_NEx hold time after FMC_NWAIT invalid | $7 T_{HCLK} + 17$ | - | |

1. CL = 30 pF.
2. Guaranteed by characterization results.

Figure 41. Asynchronous multiplexed PSRAM/NOR read waveforms

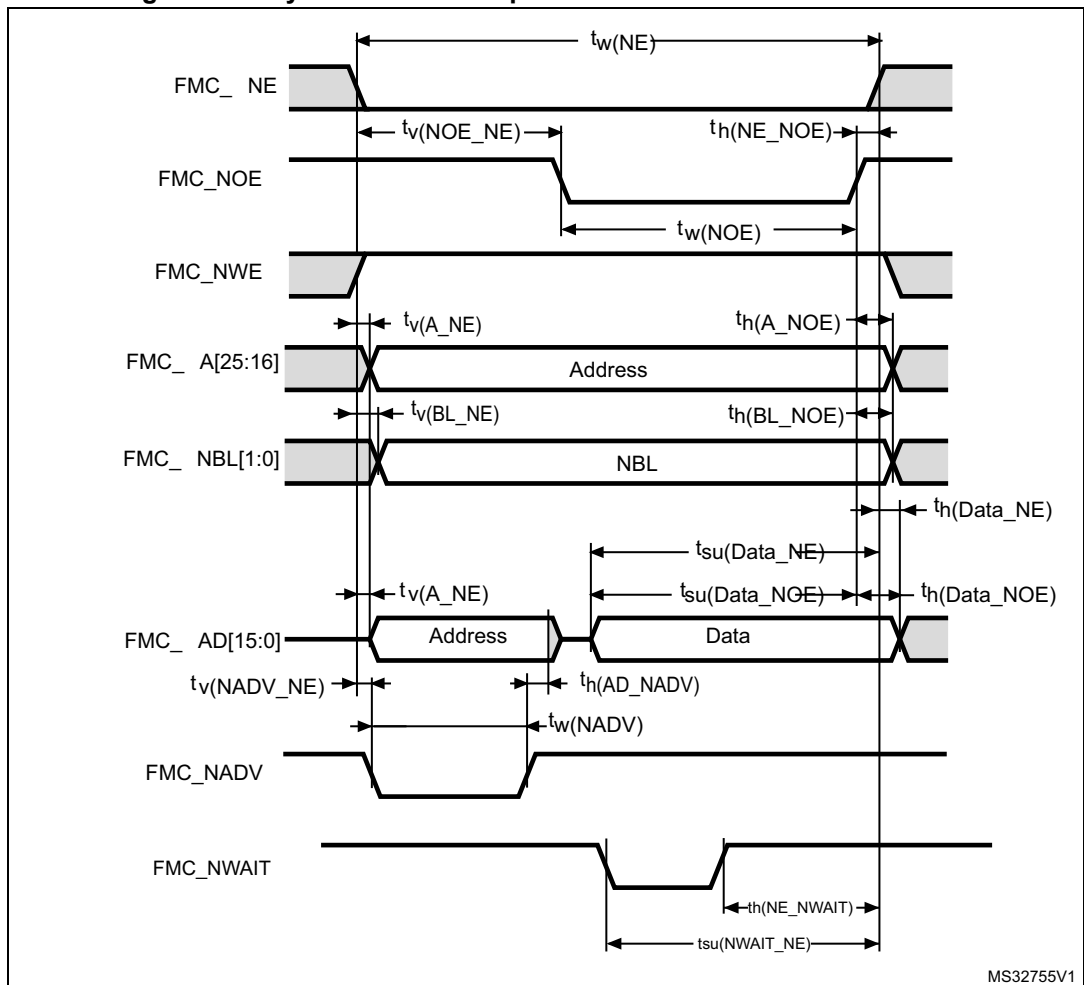


Table 101. Asynchronous multiplexed PSRAM/NOR read timings⁽¹⁾⁽²⁾

| Symbol | Parameter | Min | Max | Unit |
|--------------------|---|--|--------------------|------|
| $t_{w(NE)}$ | FMC_NE low time | $3 T_{HCLK} - 0.5$ | $3 T_{HCLK} + 1$ | ns |
| $t_{v(NOENOE)}$ | FMC_NEx low to FMC_NOE low | 0 | 1 | |
| $t_{w(NOE)}$ | FMC_NOE low time | $2 T_{HCLK} - 0.5$ | $2 T_{HCLK} + 0.5$ | |
| $t_{h(NE_NOE)}$ | FMC_NOE high to FMC_NE high hold time | T_{HCLK} | - | |
| $t_{v(A_NE)}$ | FMC_NEx low to FMC_A valid | - | 2 | |
| $t_{v(NADV_NE)}$ | FMC_NEx low to FMC_NADV low | 0.5 | 1.5 | |
| $t_{w(NADV)}$ | FMC_NADV low time | T_{HCLK} | $T_{HCLK} + 1.5$ | |
| $t_{h(AD_NADV)}$ | FMC_AD(address) valid hold time after FMC_NADV high | $T_{HCLK} - 0.3$ | - | |
| $t_{h(A_NOE)}$ | Address hold time after FMC_NOE high | Address hold until next read operation | - | |
| $t_{su(Data_NE)}$ | Data to FMC_NEx high setup time | $T_{HCLK} + 20$ | - | |
| $t_{su(Data_NOE)}$ | Data to FMC_NOE high setup time | 20 | - | |
| $t_{h(Data_NE)}$ | Data hold time after FMC_NEx high | 0 | - | |
| $t_{h(Data_NOE)}$ | Data hold time after FMC_NOE high | 0 | - | |

1. CL = 30 pF.
2. Guaranteed by characterization results.

Table 102. Asynchronous multiplexed PSRAM/NOR read-NWAIT timings⁽¹⁾⁽²⁾

| Symbol | Parameter | Min | Max | Unit |
|--------------------|---|-------------------|--------------------|------|
| $t_{w(NE)}$ | FMC_NE low time | $8 T_{HCLK} - 1$ | $8 T_{HCLK} + 1$ | ns |
| $t_{w(NOE)}$ | FMC_NWE low time | $7 T_{HCLK} - 1$ | $7 T_{HCLK} + 0.5$ | |
| $t_{su(NWAIT_NE)}$ | FMC_NWAIT valid before FMC_NEx high | $5 T_{HCLK} + 17$ | - | |
| $t_{h(NE_NWAIT)}$ | FMC_NEx hold time after FMC_NWAIT invalid | $4 T_{HCLK} + 17$ | - | |

1. CL = 30 pF.
2. Guaranteed by characterization results.

Figure 42. Asynchronous multiplexed PSRAM/NOR write waveforms

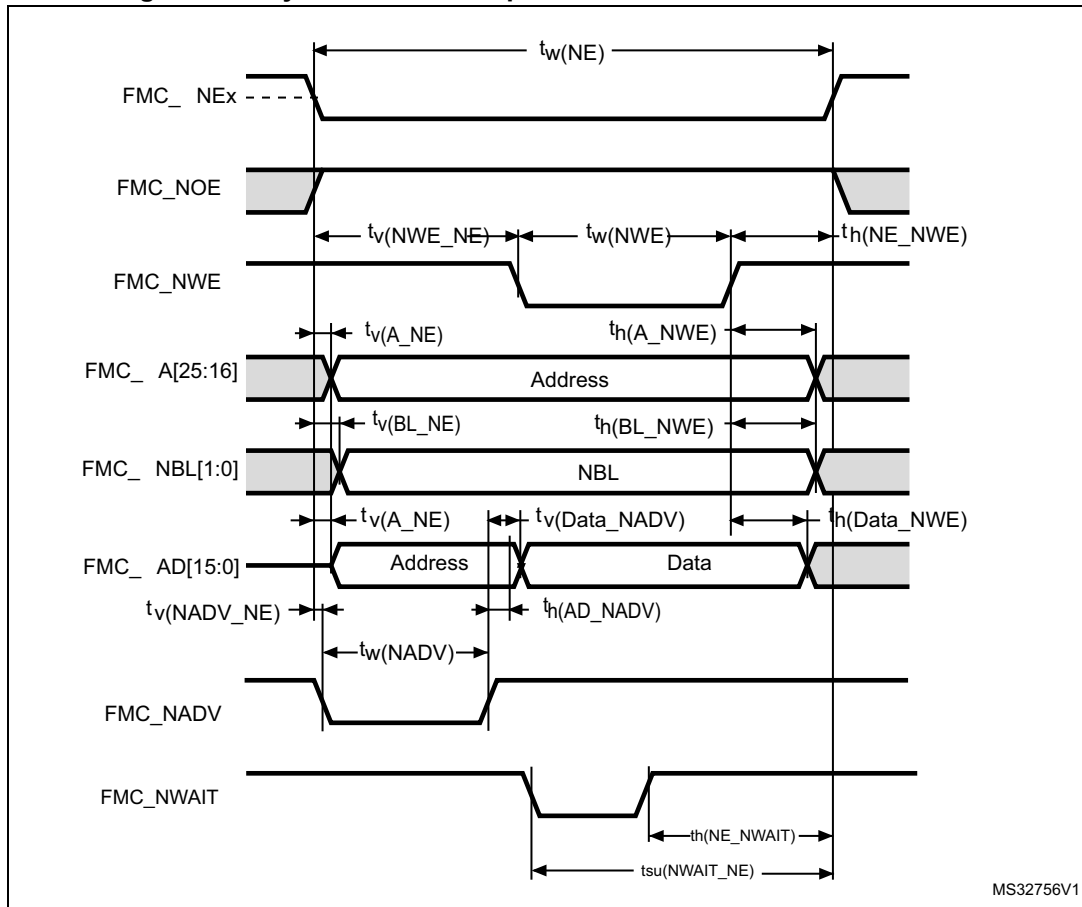


Table 103. Asynchronous multiplexed PSRAM/NOR write timings⁽¹⁾⁽²⁾

| Symbol | Parameter | Min | Max | Unit |
|---------------------|---|---|------------------|------|
| $t_{w(NE)}$ | FMC_NE low time | $3 T_{HCLK} - 0.5$ | $3 T_{HCLK} + 1$ | ns |
| $t_{v(NWE_NE)}$ | FMC_NEx low to FMC_NWE low | $T_{HCLK} - 0.5$ | $T_{HCLK} + 1$ | |
| $t_{w(NWE)}$ | FMC_NWE low time | $T_{HCLK} - 2$ | $T_{HCLK} + 1$ | |
| $t_{h(NE_NWE)}$ | FMC_NWE high to FMC_NE high hold time | $T_{HCLK} - 0.5$ | - | |
| $t_{v(A_NE)}$ | FMC_NEx low to FMC_A valid | - | 0 | |
| $t_{v(NADV_NE)}$ | FMC_NEx low to FMC_NADV low | 0 | 1.5 | |
| $t_{w(NADV)}$ | FMC_NADV low time | $T_{HCLK} + 0.5$ | $T_{HCLK} + 1.5$ | |
| $t_{h(AD_NADV)}$ | FMC_AD(address) valid hold time after FMC_NADV high | $T_{HCLK} - 3$ | - | |
| $t_{h(A_NWE)}$ | Address hold time after FMC_NWE high | Address hold until next write operation | - | |
| $t_{h(BL_NWE)}$ | FMC_BL hold time after FMC_NWE high | $T_{HCLK} - 0.5$ | - | |
| $t_{v(BL_NE)}$ | FMC_NEx low to FMC_BL valid | - | 0 | |
| $t_{v(Data_NADV)}$ | FMC_NADV high to Data valid | - | $T_{HCLK} + 2$ | |
| $t_{h(Data_NWE)}$ | Data hold time after FMC_NWE high | $T_{HCLK} + 6$ | - | |

1. CL = 30 pF.
2. Guaranteed by characterization results.

Table 104. Asynchronous multiplexed PSRAM/NOR write-NWAIT timings⁽¹⁾⁽²⁾

| Symbol | Parameter | Min | Max | Unit |
|---------------------|---|-------------------|--------------------|------|
| $t_{w(NE)}$ | FMC_NE low time | $9 T_{HCLK} - 1$ | $9 T_{HCLK} + 1$ | ns |
| $t_{w(NWE)}$ | FMC_NWE low time | $6 T_{HCLK} - 1$ | $6 T_{HCLK} + 0.5$ | |
| $t_{su(NWAIT_NE)}$ | FMC_NWAIT valid before FMC_NEx high | $7 T_{HCLK} + 17$ | - | |
| $t_{h(NE_NWAIT)}$ | FMC_NEx hold time after FMC_NWAIT invalid | $5 T_{HCLK} + 17$ | - | |

1. CL = 30 pF.
2. Guaranteed by characterization results.

Synchronous waveforms and timings

Figure 43 through Figure 46 represent synchronous waveforms and Table 105 through Table 108 provide the corresponding timings. The results shown in these tables are obtained with the following FMC configuration:

- BurstAccessMode = FMC_BurstAccessMode_Enable
- MemoryType = FMC_MemoryType_CRAM
- WriteBurst = FMC_WriteBurst_Enable
- CLKDivision = 1
- DataLatency = 1 for NOR Flash; DataLatency = 0 for PSRAM

In all timing tables, the T_{HCLK} is the HCLK clock period.

- For $2.7\text{ V} \leq V_{DD} \leq 3.6\text{ V}$, maximum FMC_CLK = 60 MHz for CLKDIV = 0x1 and 54 MHz for CLKDIV = 0x0 at CL = 30 pF (on FMC_CLK).
- For $1.71\text{ V} \leq V_{DD} \leq 2.7\text{ V}$, maximum FMC_CLK = 60 MHz for CLKDIV = 0x1 and 32 MHz for CLKDIV = 0x0 at CL= 20 pF (on FMC_CLK).

Figure 43. Synchronous multiplexed NOR/PSRAM read timings

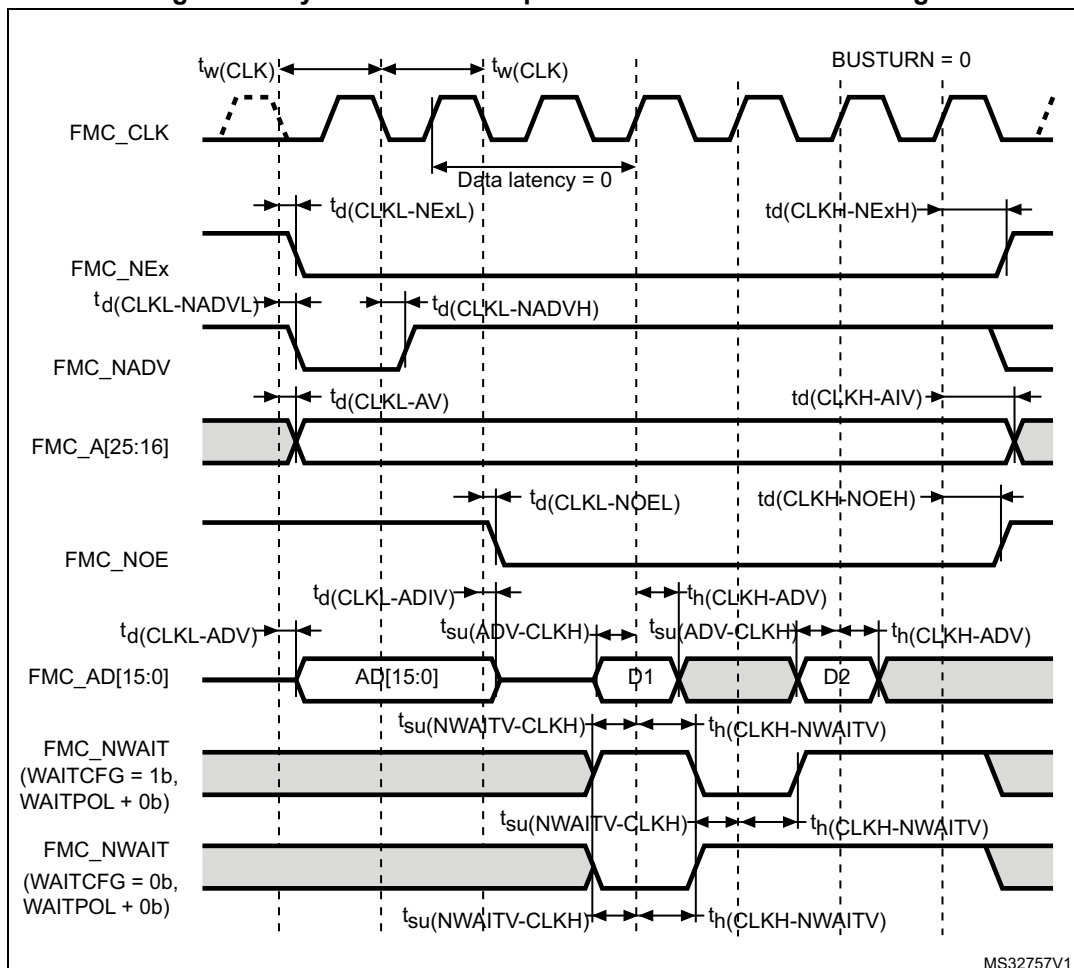


Table 105. Synchronous multiplexed NOR/PSRAM read timings⁽¹⁾⁽²⁾⁽³⁾

| Symbol | Parameter | Min | Max | Unit |
|-----------------------------|---|---------------------------------|-----|------|
| $t_{w(\text{CLK})}$ | FMC_CLK period | $R \cdot T_{\text{HCLK}} - 0.5$ | - | ns |
| $t_{d(\text{CLKL-NExL})}$ | FMC_CLK low to FMC_NEx low ($x=0..2$) | - | 1.5 | |
| $t_{d(\text{CLKH-NExH})}$ | FMC_CLK high to FMC_NEx high ($x=0..2$) | $R \cdot T_{\text{HCLK}}/2 + 1$ | - | |
| $t_{d(\text{CLKL-NADV})}$ | FMC_CLK low to FMC_NADV low | - | 2.5 | |
| $t_{d(\text{CLKL-NADVH})}$ | FMC_CLK low to FMC_NADV high | 3.5 | - | |
| $t_{d(\text{CLKL-AV})}$ | FMC_CLK low to FMC_Ax valid ($x=16..25$) | - | 4 | |
| $t_{d(\text{CLKH-AIV})}$ | FMC_CLK high to FMC_Ax invalid ($x=16..25$) | $R \cdot T_{\text{HCLK}}/2 + 1$ | - | |
| $t_{d(\text{CLKL-NOEL})}$ | FMC_CLK low to FMC_NOE low | - | 2 | |
| $t_{d(\text{CLKH-NOEH})}$ | FMC_CLK high to FMC_NOE high | $R \cdot T_{\text{HCLK}}/2 + 1$ | - | |
| $t_{d(\text{CLKL-ADV})}$ | FMC_CLK low to FMC_AD[15:0] valid | - | 3 | |
| $t_{d(\text{CLKL-ADIV})}$ | FMC_CLK low to FMC_AD[15:0] invalid | 0 | - | |
| $t_{su(\text{ADV-CLKH})}$ | FMC_A/D[15:0] valid data before FMC_CLK high | 2 | - | |
| $t_h(\text{CLKH-ADV})$ | FMC_A/D[15:0] valid data after FMC_CLK high | 4 | - | |
| $t_{su(\text{NWAIT-CLKH})}$ | FMC_NWAIT valid before FMC_CLK high | 1.5 | - | |
| $t_h(\text{CLKH-NWAIT})$ | FMC_NWAIT valid after FMC_CLK high | 4 | - | |

1. CL = 30 pF.
2. Guaranteed by characterization results.
3. Clock ratio R = (HCLK period / FMC_CLK period).

Figure 44. Synchronous multiplexed PSRAM write timings

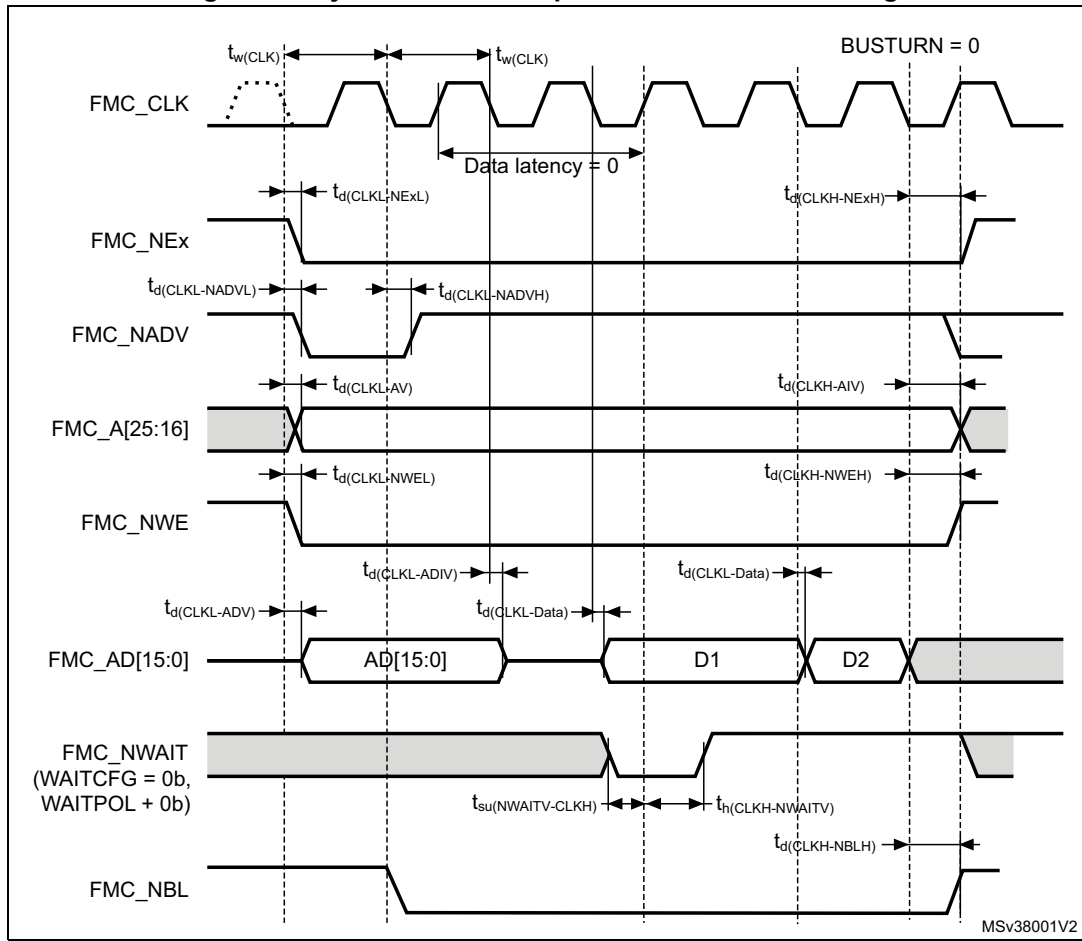
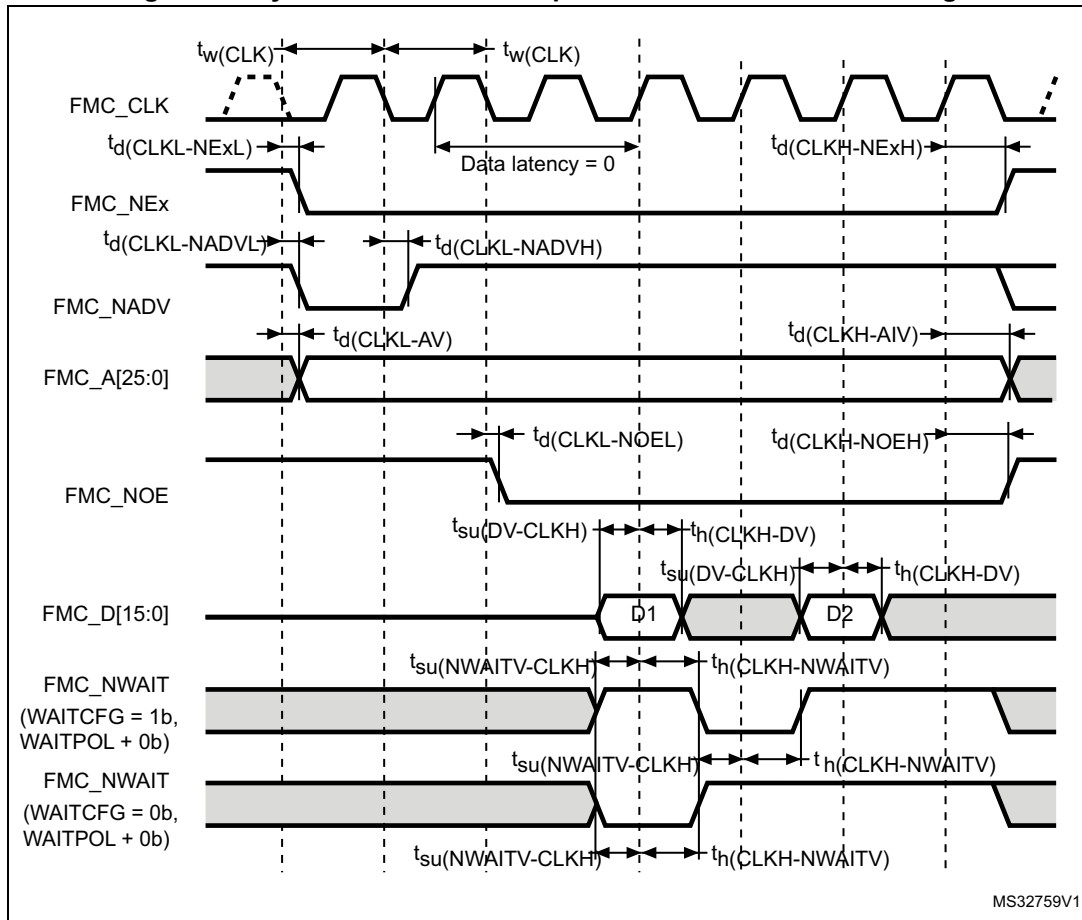


Table 106. Synchronous multiplexed PSRAM write timings⁽¹⁾⁽²⁾⁽³⁾

| Symbol | Parameter | Min | Max | Unit |
|------------------------------------|---|-----------------------------------|-----|------|
| $t_{w(\text{CLK})}$ | FMC_CLK period | $R \cdot T_{\text{HCLK}} - 0.5$ | - | ns |
| $t_{d(\text{CLKL-NE}x\text{L})}$ | FMC_CLK low to FMC_NEx low ($x=0..2$) | - | 1.5 | |
| $t_{d(\text{CLKH-NE}x\text{H})}$ | FMC_CLK high to FMC_NEx high ($x=0..2$) | $R \cdot T_{\text{HCLK}}/2 + 1$ | - | |
| $t_{d(\text{CLKL-NADV}x)}$ | FMC_CLK low to FMC_NADV low | - | 2.5 | |
| $t_{d(\text{CLKL-NADV}x\text{H})}$ | FMC_CLK low to FMC_NADV high | 3.5 | - | |
| $t_{d(\text{CLKL-A}x)}$ | FMC_CLK low to FMC_Ax valid ($x=16..25$) | - | 4 | |
| $t_{d(\text{CLKH-A}x)}$ | FMC_CLK high to FMC_Ax invalid ($x=16..25$) | $R \cdot T_{\text{HCLK}}/2 + 1$ | - | |
| $t_{d(\text{CLKL-NWE}x)}$ | FMC_CLK low to FMC_NWE low | - | 2 | |
| $t_{d(\text{CLKH-NWE}x)}$ | FMC_CLK high to FMC_NWE high | $R \cdot T_{\text{HCLK}}/2 + 1$ | - | |
| $t_{d(\text{CLKL-ADV}x)}$ | FMC_CLK low to FMC_AD[15:0] valid | - | 3 | |
| $t_{d(\text{CLKL-ADIV}x)}$ | FMC_CLK low to FMC_AD[15:0] invalid | 0 | - | |
| $t_{d(\text{CLKL-DATA}x)}$ | FMC_A/D[15:0] valid data after FMC_CLK low | - | 3 | |
| $t_{d(\text{CLKL-NBL}x)}$ | FMC_CLK low to FMC_NBL low | 1 | - | |
| $t_{d(\text{CLKH-NBL}x)}$ | FMC_CLK high to FMC_NBL high | $R \cdot T_{\text{HCLK}}/2 + 1.5$ | - | |
| $t_{su(\text{NWAIT-CLKH})}$ | FMC_NWAIT valid before FMC_CLK high | 1.5 | - | |
| $t_{h(\text{CLKH-NWAIT})}$ | FMC_NWAIT valid after FMC_CLK high | 4 | - | |

1. CL = 30 pF.
2. Guaranteed by characterization results.
3. Clock ratio R = (HCLK period / FMC_CLK period).

Figure 45. Synchronous non-multiplexed NOR/PSRAM read timings



MS32759V1

Table 107. Synchronous non-multiplexed NOR/PSRAM read timings⁽¹⁾⁽²⁾⁽³⁾

| Symbol | Parameter | Min | Max | Unit | |
|------------------------------|--|---------------------------------|-----|------|----|
| $t_w(\text{CLK})$ | FMC_CLK period | $R \cdot T_{\text{HCLK}} - 0.5$ | - | ns | |
| $t_d(\text{CLKL-NExL})$ | FMC_CLK low to FMC_NEx low (x=0..2) | - | 1.5 | | |
| $t_d(\text{CLKH-NExH})$ | FMC_CLK high to FMC_NEx high (x= 0...2) | $R \cdot T_{\text{HCLK}}/2 + 1$ | - | | |
| $t_d(\text{CLKL-NADV})$ | FMC_CLK low to FMC_NADV low | - | 2.5 | | |
| $t_d(\text{CLKL-NADVH})$ | FMC_CLK low to FMC_NADV high | 3.5 | - | | |
| $t_d(\text{CLKL-AV})$ | FMC_CLK low to FMC_Ax valid (x=16...25) | - | 4 | | |
| $t_d(\text{CLKH-AIV})$ | FMC_CLK high to FMC_Ax invalid (x=16...25) | $R \cdot T_{\text{HCLK}}/2 + 1$ | - | | |
| $t_d(\text{CLKL-NOEL})$ | FMC_CLK low to FMC_NOE low | - | 2 | | |
| $t_d(\text{CLKH-NOEH})$ | FMC_CLK high to FMC_NOE high | $R \cdot T_{\text{HCLK}}/2 + 1$ | - | | |
| $t_{su}(\text{DV-CLKH})$ | FMC_D[15:0] valid data before FMC_CLK high | 2 | - | | |
| $t_h(\text{CLKH-DV})$ | FMC_D[15:0] valid data after FMC_CLK high | 4 | - | | |
| $t_{su}(\text{NWAITV-CLKH})$ | FMC_NWAIT valid before FMC_CLK high | 1.5 | - | | ns |
| $t_h(\text{CLKH-NWAITV})$ | FMC_NWAIT valid after FMC_CLK high | 4 | - | | |

1. CL = 30 pF.
2. Guaranteed by characterization results.
3. Clock ratio R = (HCLK period /FMC_CLK period).

Figure 46. Synchronous non-multiplexed PSRAM write timings

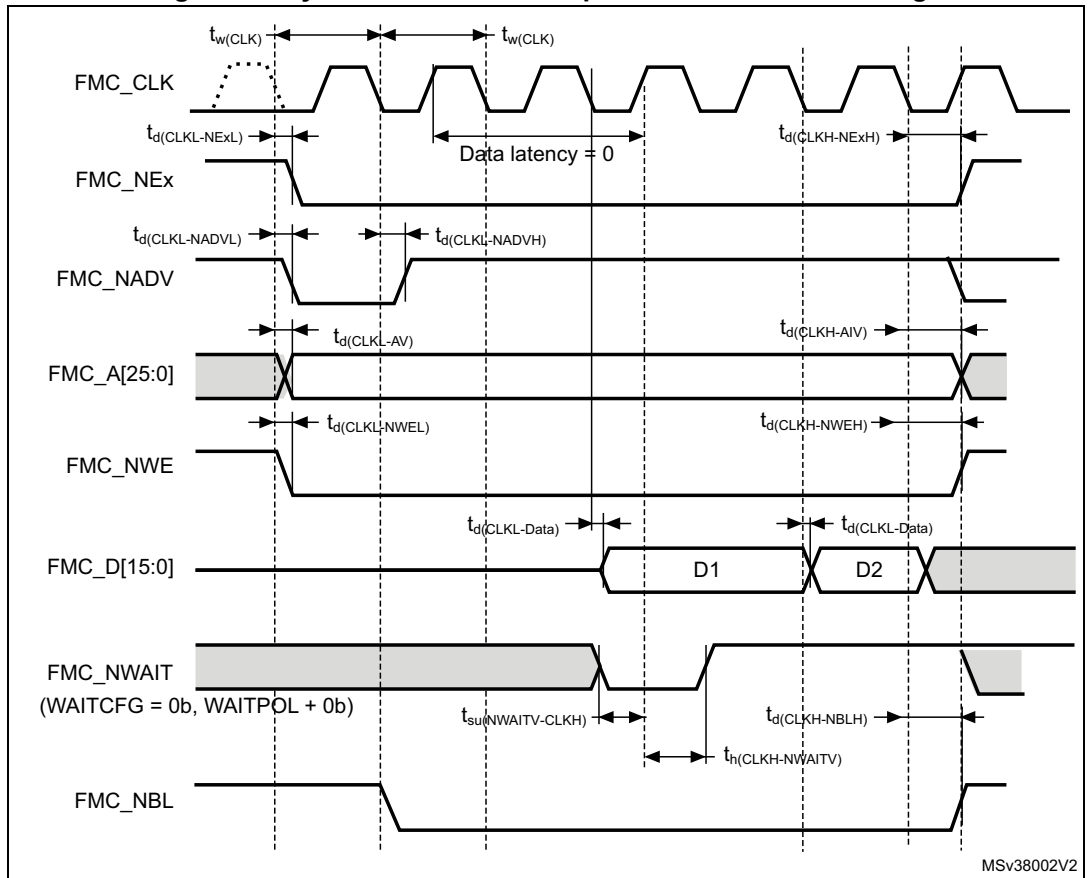


Table 108. Synchronous non-multiplexed PSRAM write timings⁽¹⁾⁽²⁾⁽³⁾

| Symbol | Parameter | Min | Max | Unit |
|-----------------------------|--|-----------------------------------|-----|------|
| $t_{w(\text{CLK})}$ | FMC_CLK period | $R \cdot T_{\text{HCLK}} - 0.5$ | - | ns |
| $t_{d(\text{CLKL-NExL})}$ | FMC_CLK low to FMC_NEx low (x=0..2) | - | 1.5 | |
| $t_{d(\text{CLKH-NExH})}$ | FMC_CLK high to FMC_NEx high (x= 0...2) | $R \cdot T_{\text{HCLK}}/2 + 1$ | - | |
| $t_{d(\text{CLKL-NADVl})}$ | FMC_CLK low to FMC_NADV low | - | 2.5 | |
| $t_{d(\text{CLKL-NADVh})}$ | FMC_CLK low to FMC_NADV high | 3.5 | - | |
| $t_{d(\text{CLKL-AV})}$ | FMC_CLK low to FMC_Ax valid (x=16...25) | - | 4 | |
| $t_{d(\text{CLKH-AIV})}$ | FMC_CLK high to FMC_Ax invalid (x=16...25) | $R \cdot T_{\text{HCLK}}/2 + 1$ | - | |
| $t_{d(\text{CLKL-NWEL})}$ | FMC_CLK low to FMC_NWE low | - | 2 | |
| $t_{d(\text{CLKH-NWEH})}$ | FMC_CLK high to FMC_NWE high | $R \cdot T_{\text{HCLK}}/2 + 1$ | - | |
| $t_{d(\text{CLKL-Data})}$ | FMC_D[15:0] valid data after FMC_CLK low | - | 3 | |
| $t_{d(\text{CLKL-NBLL})}$ | FMC_CLK low to FMC_NBL low | 1 | - | |
| $t_{d(\text{CLKH-NBLH})}$ | FMC_CLK high to FMC_NBL high | $R \cdot T_{\text{HCLK}}/2 + 1.5$ | - | |
| $t_{su(\text{NWAIT-CLKH})}$ | FMC_NWAIT valid before FMC_CLK high | 1.5 | - | |
| $t_h(\text{CLKH-NWAIT})$ | FMC_NWAIT valid after FMC_CLK high | 4 | - | |

1. CL = 30 pF.
2. Guaranteed by characterization results.
3. Clock ratio R = (HCLK period /FMC_CLK period).

NAND controller waveforms and timings

Figure 47 through Figure 50 represent synchronous waveforms, and Table 109 and Table 110 provide the corresponding timings. The results shown in these tables are obtained with the following FMC configuration:

- COM.FMC_SetupTime = 0x01
- COM.FMC_WaitSetupTime = 0x03
- COM.FMC_HoldSetupTime = 0x02
- COM.FMC_HiZSetupTime = 0x01
- ATT.FMC_SetupTime = 0x01
- ATT.FMC_WaitSetupTime = 0x03
- ATT.FMC_HoldSetupTime = 0x02
- ATT.FMC_HiZSetupTime = 0x01
- Bank = FMC_Bank_NAND
- MemoryDataWidth = FMC_MemoryDataWidth_16b
- ECC = FMC_ECC_Enable
- ECCPageSize = FMC_ECCPageSize_512Bytes
- TCLRSetupTime = 0
- TARSetupTime = 0

In all timing tables, the T_{HCLK} is the HCLK clock period.

Figure 47. NAND controller waveforms for read access

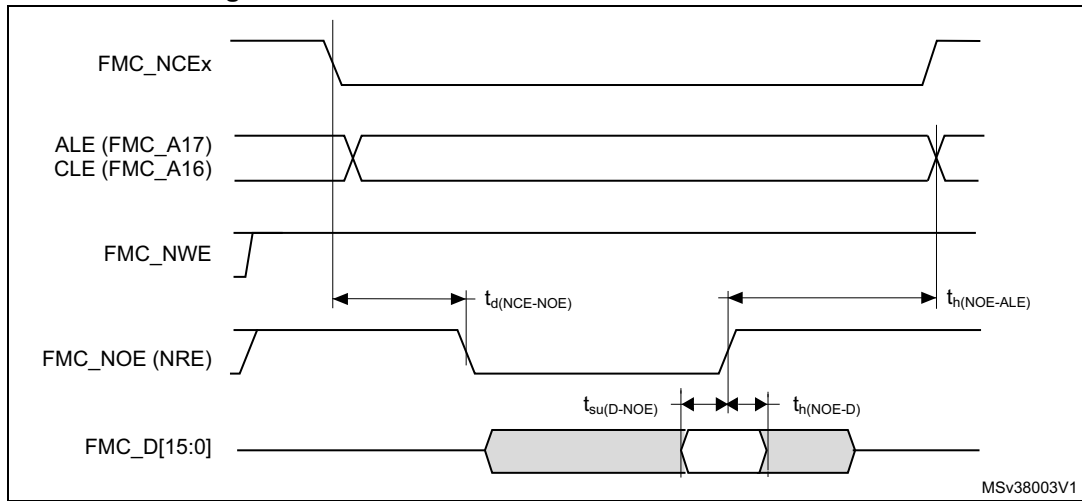


Figure 48. NAND controller waveforms for write access

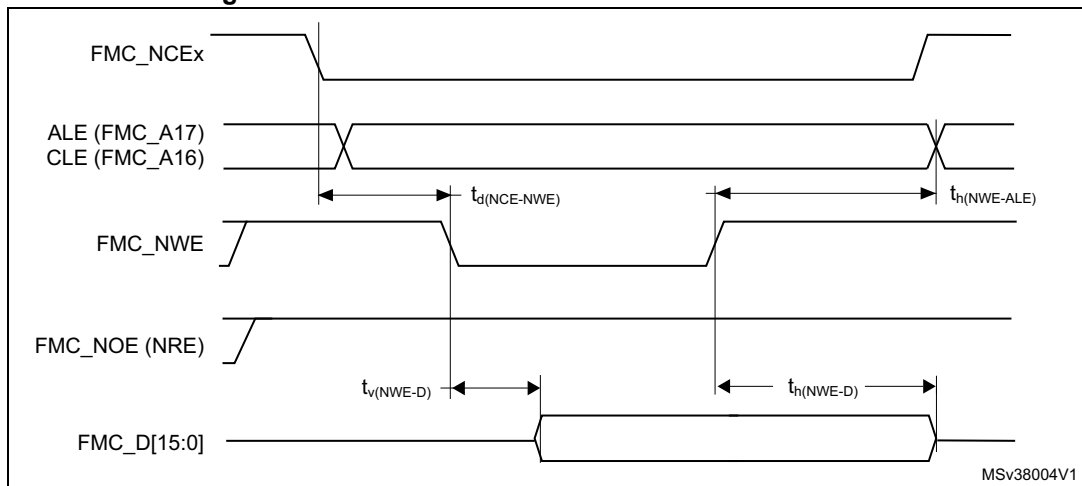


Figure 49. NAND controller waveforms for common memory read access

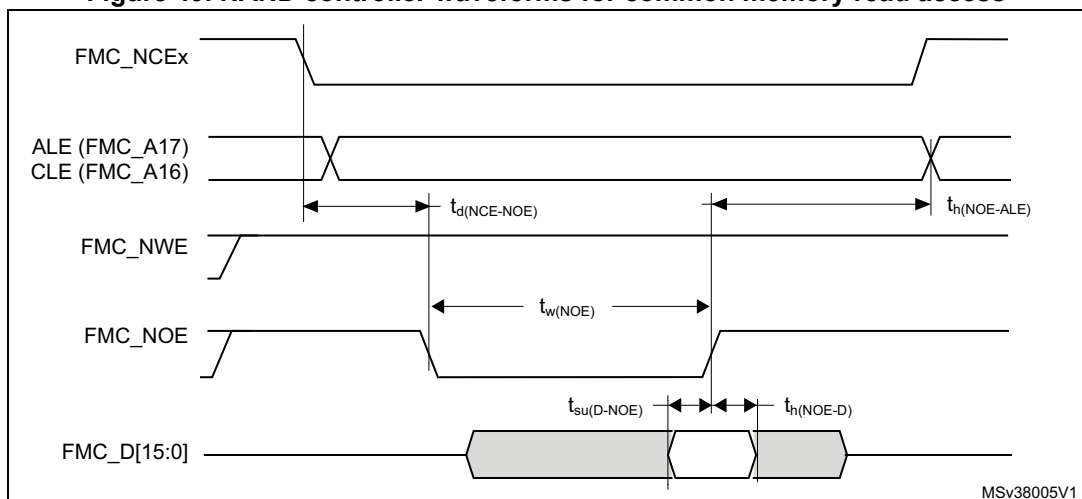


Figure 50. NAND controller waveforms for common memory write access

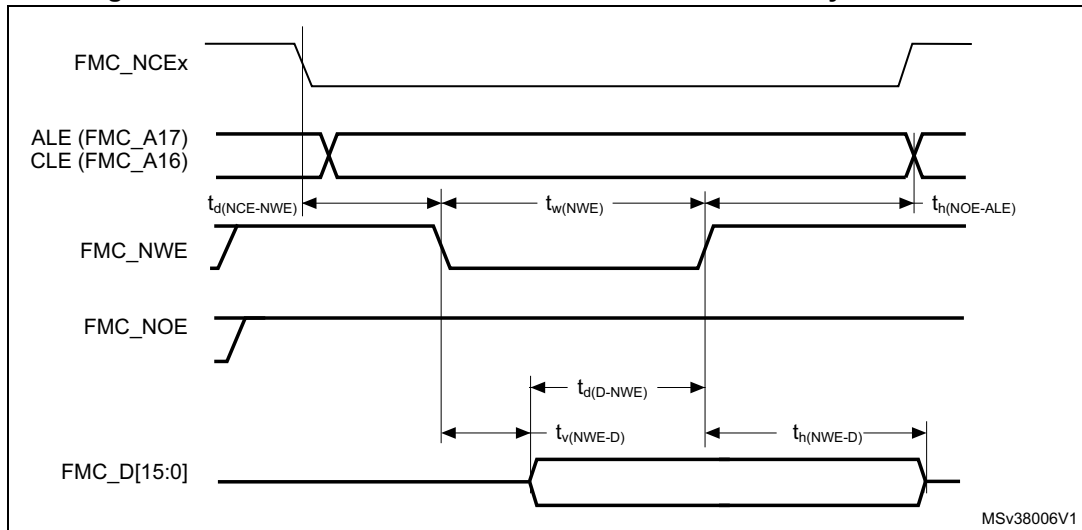


Table 109. Switching characteristics for NAND Flash read cycles⁽¹⁾⁽²⁾

| Symbol | Parameter | Min | Max | Unit |
|------------------|--|------------------|--------------|------|
| $T_{w(NOE)}$ | FMC_NOE low width | $4 T_{HCLK} - 1$ | $4 T_{HCLK}$ | ns |
| $T_{su(D-NOE)}$ | FMC_D[15-0] valid data before FMC_NOE high | 19 | - | |
| $T_{h(NOE-D)}$ | FMC_D[15-0] valid data after FMC_NOE high | 0 | - | |
| $T_{d(NCE-NOE)}$ | FMC_NCE valid before FMC_NOE low | - | $3 T_{HCLK}$ | |
| $T_{h(NOE-ALE)}$ | FMC_NOE high to FMC_ALE invalid | $3 T_{HCLK}$ | - | |

1. CL = 30 pF.
2. Guaranteed by characterization results.

Table 110. Switching characteristics for NAND Flash write cycles⁽¹⁾⁽²⁾

| Symbol | Parameter | Min | Max | Unit |
|------------------|---------------------------------------|------------------|--------------|------|
| $T_{w(NWE)}$ | FMC_NWE low width | $4 T_{HCLK} - 1$ | $4 T_{HCLK}$ | ns |
| $T_{v(NWE-D)}$ | FMC_NWE low to FMC_D[15-0] valid | 0 | - | |
| $T_{h(NWE-D)}$ | FMC_NWE high to FMC_D[15-0] invalid | $3 T_{HCLK} - 1$ | - | |
| $T_{d(D-NWE)}$ | FMC_D[15-0] valid before FMC_NWE high | $5 T_{HCLK}$ | - | |
| $T_{d(NCE-NWE)}$ | FMC_NCE valid before FMC_NWE low | - | $3 T_{HCLK}$ | |
| $T_{h(NWE-ALE)}$ | FMC_NWE high to FMC_ALE invalid | $3 T_{HCLK}$ | - | |

1. CL = 30 pF.
2. Guaranteed by characterization results.

5.3.29 QUADSPI characteristics

Unless otherwise specified, the parameters given in [Table 111](#) and [Table 112](#) for Quad SPI are derived from tests performed under the ambient temperature, f_{AHB} frequency and V_{DD} supply voltage conditions summarized in [Table 17: General operating conditions](#), with the following configuration:

- Output speed is set to $\text{OSPEEDRy}[1:0] = 11$
- Capacitive load $C = 15$ or 20 pF
- Measurement points are done at CMOS levels: $0.5 \times V_{\text{DD}}$

Refer to [Section 5.3.14: I/O port characteristics](#) for more details on the input/output alternate function characteristics.

Table 111. Quad SPI characteristics in SDR mode⁽¹⁾

| Symbol | Parameter | Conditions | Min | Typ | Max | Unit |
|---------------------|----------------------------------|---|--|-----|--|------|
| F(QCK) | Quad SPI clock frequency | 1.71 < V_{DD} < 3.6 V, $C_{\text{LOAD}} = 15$ pF Voltage Range 1 | - | - | 50 | MHz |
| | | 1.71 < V_{DD} < 3.6 V, $C_{\text{LOAD}} = 20$ pF Voltage Range 2 | - | - | 110 | |
| $t_{\text{w(CKH)}}$ | Quad SPI clock high and low time | PRESCALER [7:0] $n = 0, 1, 3, 5 \dots$ | $t_{\text{CKY}}/2 - 0.5$ | - | $t_{\text{CKY}}/2 + 1$ | ns |
| $t_{\text{w(CKL)}}$ | Even division | | $t_{\text{CKY}}/2 - 1$ | - | $t_{\text{CKY}}/2 + 0.5$ | |
| $t_{\text{w(CKH)}}$ | Quad SPI clock high and low time | PRESCALER [7:0] $n = 2, 4, 6, 8 \dots$ | $(n/2) * t_{\text{CKY}} / (n+1) - 0.5$ | - | $(n/2) * t_{\text{CKY}} / (n+1) + 1$ | |
| $t_{\text{w(CKL)}}$ | Odd division | | $(n/2+1) * t_{\text{CKY}} / (n+1) - 1$ | - | $(n/2+1) * t_{\text{CKY}} / (n+1) + 0.5$ | |
| $t_{\text{s(IN)}}$ | Data input setup time | 1.71 < V_{DD} < 3.6 V | 1 | - | - | |
| $t_{\text{h(IN)}}$ | Data input hold time | 1.71 < V_{DD} < 3.6 V | 5 | - | - | |
| $t_{\text{v(OUT)}}$ | Data output valid time | 1.71 < V_{DD} < 3.6 V | - | 1 | 1.5 | |
| $t_{\text{h(OUT)}}$ | Data output hold time | 1.71 < V_{DD} < 3.6 V | 0.5 | - | - | |

1. Guaranteed by characterization results.

Table 112. QUADSPI characteristics in DDR mode⁽¹⁾

| Symbol | Parameter | Conditions | Min | Typ | Max | Unit |
|--------|--------------------------|---|-----|-----|-----|------|
| F(QCK) | Quad SPI clock frequency | 1.71 < V_{DD} < 3.6 V, $C_{\text{LOAD}} = 15$ pF Voltage Range 1 | - | - | 50 | MHz |
| | | 1.71 < V_{DD} < 3.6 V, $C_{\text{LOAD}} = 20$ pF Voltage Range 2 | - | - | 70 | |

Table 112. QUADSPI characteristics in DDR mode⁽¹⁾ (continued)

| Symbol | Parameter | Conditions | Min | Typ | Max | Unit |
|---------------|---------------------------------------|---------------------------------------|----------------------------|---------------|--------------------------|------|
| $t_{w(CKH)}$ | Quad SPI clock high and low time | PRESCALER [7:0] n = 0, 1, 3, 5 ... | $t_{CK}/2$ | - | $t_{CK}/2+1$ | ns |
| $t_{w(CKL)}$ | | | $t_{CK}/2-1$ | - | $t_{CK}/2$ | |
| $t_{w(CKH)}$ | Quad SPI clock high and low time | PRESCALER [7:0] n = 2, 4, 6, 8... | $(n/2)*t_{CK}/(n+1)$ | - | $(n/2)*t_{CK}/(n+1) + 1$ | |
| $t_{w(CKL)}$ | | | $(n/2+1)*t_{CK}/(n+1) - 1$ | - | $(n/2+1)*t_{CK}/(n+1)$ | |
| $t_{sr(IN)}$ | Data input setup time on rising edge | $1.71 < V_{DD} < 3.6 V$ | 1 | - | - | |
| $t_{sf(IN)}$ | Data input setup time on falling edge | $1.71 < V_{DD} < 3.6 V$ | 1 | - | - | |
| $t_{hr(IN)}$ | Data input hold time on rising edge | $1.71 < V_{DD} < 3.6 V$ | 6 | - | - | |
| $t_{hf(IN)}$ | Data input hold time on falling edge | $1.71 < V_{DD} < 3.6 V$ | 5 | - | - | |
| $t_{vr(OUT)}$ | Data output valid time on rising edge | $1.71 < V_{DD} < 3.6 V$ DHHC = 0 | - | 7.5 | 8 | |
| | | $1.71 < V_{DD} < 3.6 V$ DHHC = 1 | - | $Thclk/2 + 1$ | $Thclk/2 + 1.5$ | |
| $t_{vf(OUT)}$ | Data output valid time | $1.71 < V_{DD} < 3.6 V$ DHHC = 0 | - | 7 | 10 | |
| | | $1.71 < V_{DD} < 3.6 V$ DHHC = 1 | - | $Thclk/2 + 1$ | $Thclk/2 + 2$ | |
| $t_{hr(OUT)}$ | Data output hold time on rising edge | $1.71 < V_{DD} < 3.6 V$ DHHC = 0 | 2 | - | - | |
| | | $1.71 < V_{DD} < 3.6 V$ DHHC = 1 | $Thclk/2 + 0.5$ | - | - | |
| $t_{hf(OUT)}$ | Data output hold time on falling edge | $1.71 < V_{DD} < 3.6 V$ DHHC = 0 | 3 | - | - | |
| | | $1.71 < V_{DD} < 3.6 V$ DHHC = 1 | $Thclk/2 + 0.5$ | - | - | |

1. Guaranteed by characterization results.

Figure 51. Quad SPI timing diagram - SDR mode

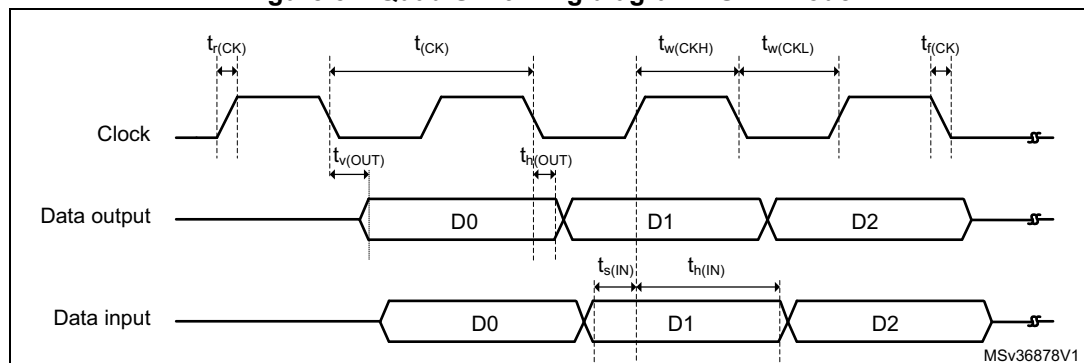
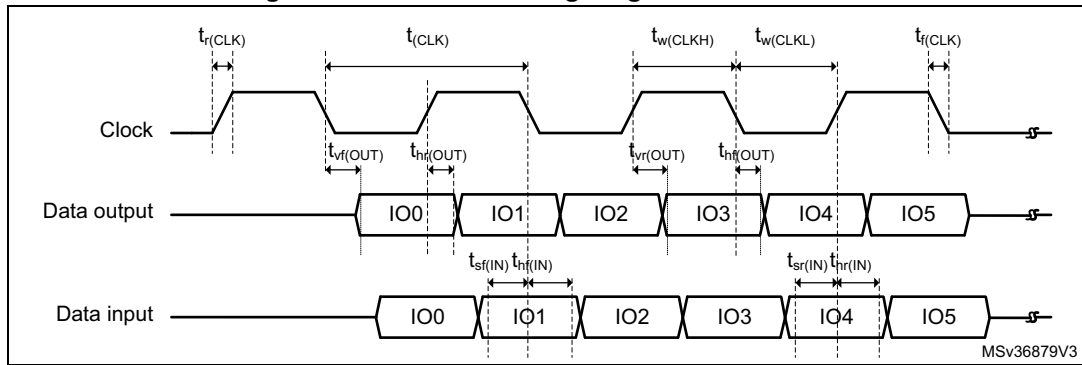


Figure 52. Quad SPI timing diagram - DDR mode



5.3.30 UCPD characteristics

UCPD1 controller complies with USB Type-C Rev.1.2 and USB Power Delivery Rev. 3.0 specifications.

Table 113. UCPD characteristics

| Symbol | Parameter | Conditions | Min | Typ | Max | Unit |
|----------|-------------------------------|----------------------|-------|-----|-------|------|
| V_{DD} | UCPD operating supply voltage | Sink mode only | 3.0 | 3.3 | 3.6 | V |
| | | Sink and source mode | 3.135 | 3.3 | 3.465 | V |

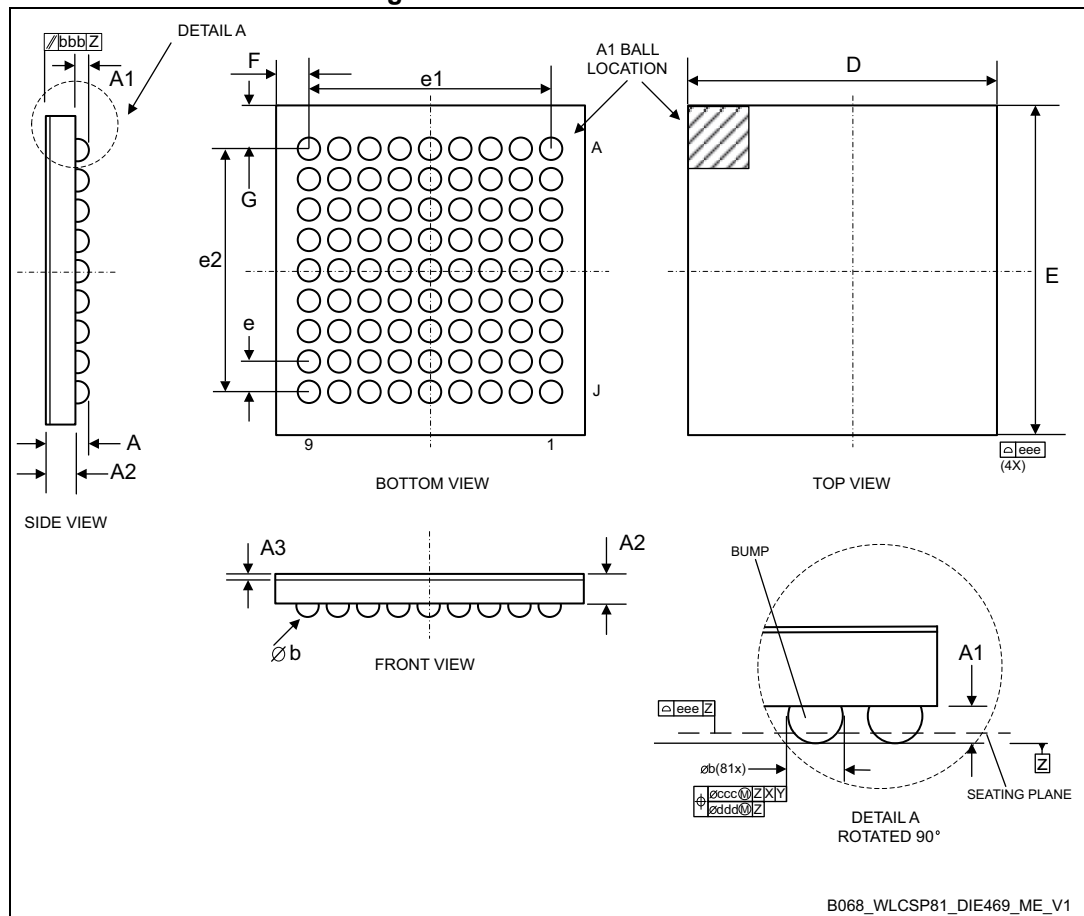
6 Package information

In order to meet environmental requirements, ST offers these devices in different grades of ECOPACK packages, depending on their level of environmental compliance. ECOPACK specifications, grade definitions and product status are available at: www.st.com. ECOPACK is an ST trademark.

6.1 WLCSP81 package information

WLCSP81 is a 81-ball, 4.02x4.27 mm, 0.4 mm pitch wafer level chip scale package.

Figure 53. WLCSP81 - outline



1. Drawing is not to scale.
2. Dimension is measured at the maximum bump diameter parallel to primary datum Z.
3. Primary datum Z and seating plane are defined by the spherical crowns of the bump.
4. Bump position designation per JESD 95-1, SPP-010.

Table 114. WLCSP81 - mechanical data

| Symbol | millimeters | | | inches ⁽¹⁾ | | |
|------------------|-------------|-------|------|-----------------------|-------|-------|
| | Min | Typ | Max | Min | Typ | Max |
| A ⁽²⁾ | - | - | 0.59 | - | - | 0.023 |
| A1 | - | 0.18 | - | - | 0.007 | - |
| A2 | - | 0.38 | - | - | 0.015 | - |
| A3 | - | 0.025 | - | - | 0.001 | - |
| b | 0.22 | 0.25 | 0.28 | 0.009 | 0.010 | 0.011 |
| D | 4.00 | 4.02 | 4.04 | 0.157 | 0.158 | 0.159 |
| E | 4.25 | 4.27 | 4.29 | 0.167 | 0.168 | 0.169 |
| e | - | 0.40 | - | - | 0.016 | - |
| e1 | - | 3.20 | - | - | 0.126 | - |
| e2 | - | 3.20 | - | - | 0.126 | - |
| F ⁽³⁾ | - | 0.410 | - | - | 0.016 | - |
| G ⁽³⁾ | - | 0.535 | - | - | 0.021 | - |
| aaa | - | - | 0.10 | - | - | 0.004 |
| bbb | - | - | 0.10 | - | - | 0.004 |
| ccc | - | - | 0.10 | - | - | 0.004 |
| ddd | - | - | 0.05 | - | - | 0.002 |
| eee | - | - | 0.05 | - | - | 0.002 |

1. Values in inches are converted from mm and rounded to 3 decimal digits.
2. The maximum total package height is calculated by the RSS method (Root Sum Square) using nominal and tolerances values of A1 and A2.
3. Calculated dimensions are rounded to the 3rd decimal place

Figure 54. WLCSP81 - recommended footprint

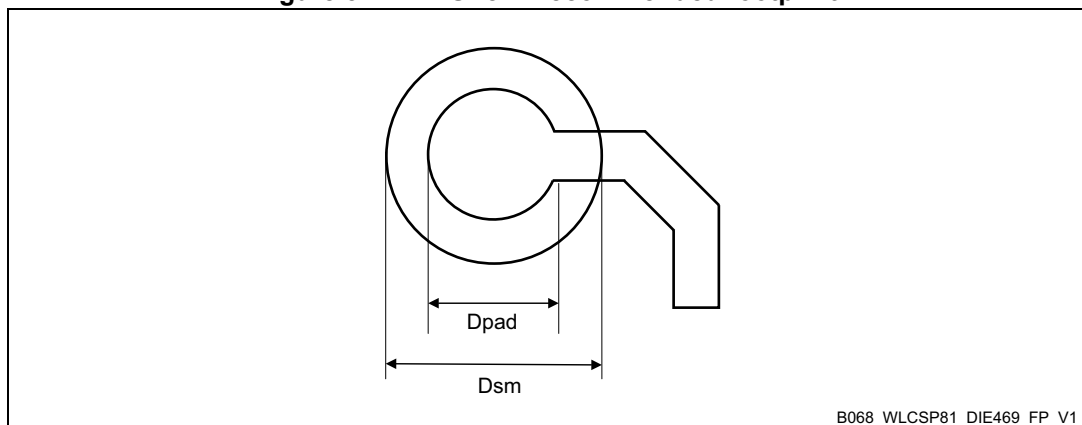


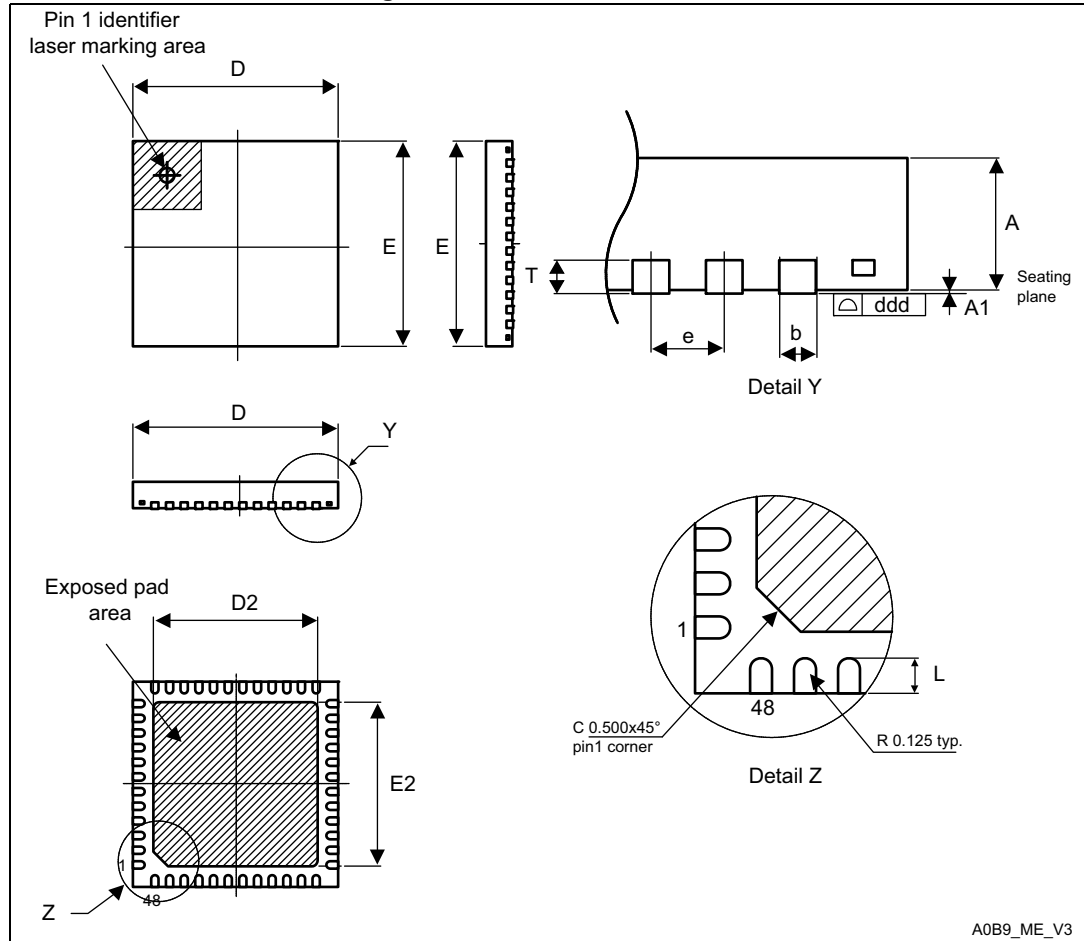
Table 115. WLCSP81 - recommended PCB design rules

| Dimension | Recommended values |
|-------------------|--|
| Pitch | 0.4 mm |
| Dpad | 0,225 mm |
| Dsm | 0.290 mm typ. (depends on soldermask registration tolerance) |
| Stencil opening | 0.250 mm |
| Stencil thickness | 0.100 mm |

6.2 UFQFPN48 package information

UFQFPN48 is a 48-lead, 7x7 mm, 0.5 mm pitch, ultra thin fine pitch quad flat package.

Figure 55. UFQFPN48 - outline



A0B9_ME_V3

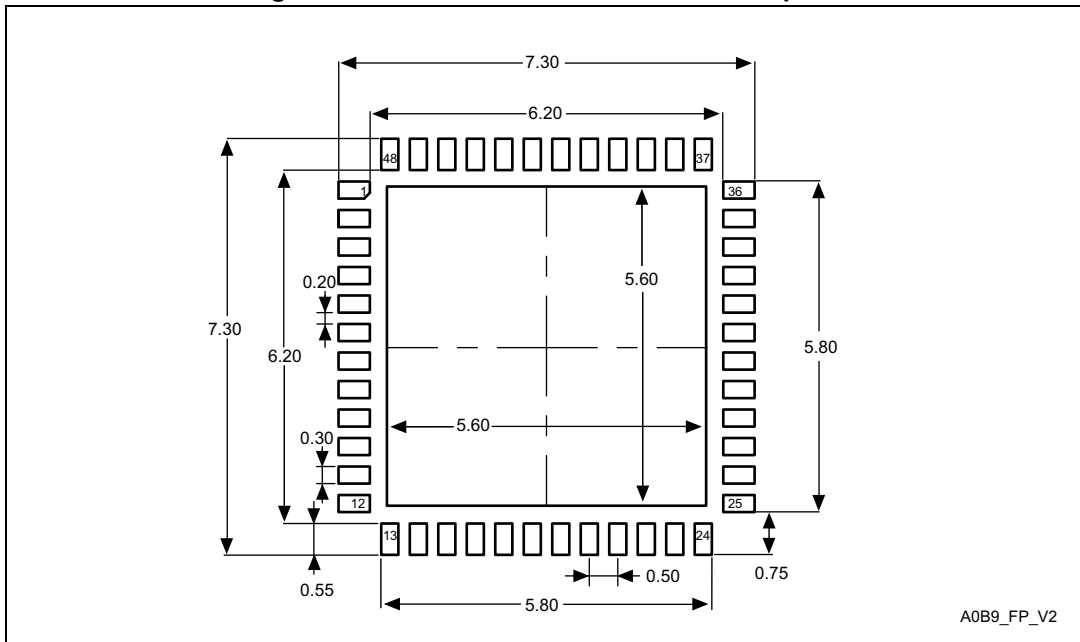
1. Drawing is not to scale.
2. All leads/pads should also be soldered to the PCB to improve the lead/pad solder joint life.
3. There is an exposed die pad on the underside of the UFQFPN package. It is recommended to connect and solder this back-side pad to PCB ground.

Table 116. UFQFPN48 - mechanical data

| Symbol | millimeters | | | inches ⁽¹⁾ | | |
|--------|-------------|-------|-------|-----------------------|--------|--------|
| | Min | Typ | Max | Min | Typ | Max |
| A | 0.500 | 0.550 | 0.600 | 0.0197 | 0.0217 | 0.0236 |
| A1 | 0.000 | 0.020 | 0.050 | 0.0000 | 0.0008 | 0.0020 |
| D | 6.900 | 7.000 | 7.100 | 0.2717 | 0.2756 | 0.2795 |
| E | 6.900 | 7.000 | 7.100 | 0.2717 | 0.2756 | 0.2795 |
| D2 | 5.500 | 5.600 | 5.700 | 0.2165 | 0.2205 | 0.2244 |
| E2 | 5.500 | 5.600 | 5.700 | 0.2165 | 0.2205 | 0.2244 |
| L | 0.300 | 0.400 | 0.500 | 0.0118 | 0.0157 | 0.0197 |
| T | - | 0.152 | - | - | 0.0060 | - |
| b | 0.200 | 0.250 | 0.300 | 0.0079 | 0.0098 | 0.0118 |
| e | - | 0.500 | - | - | 0.0197 | - |
| ddd | - | - | 0.080 | - | - | 0.0031 |

1. Values in inches are converted from mm and rounded to 4 decimal digits.

Figure 56. UFQFPN48 - recommended footprint



1. Dimensions are expressed in millimeters.

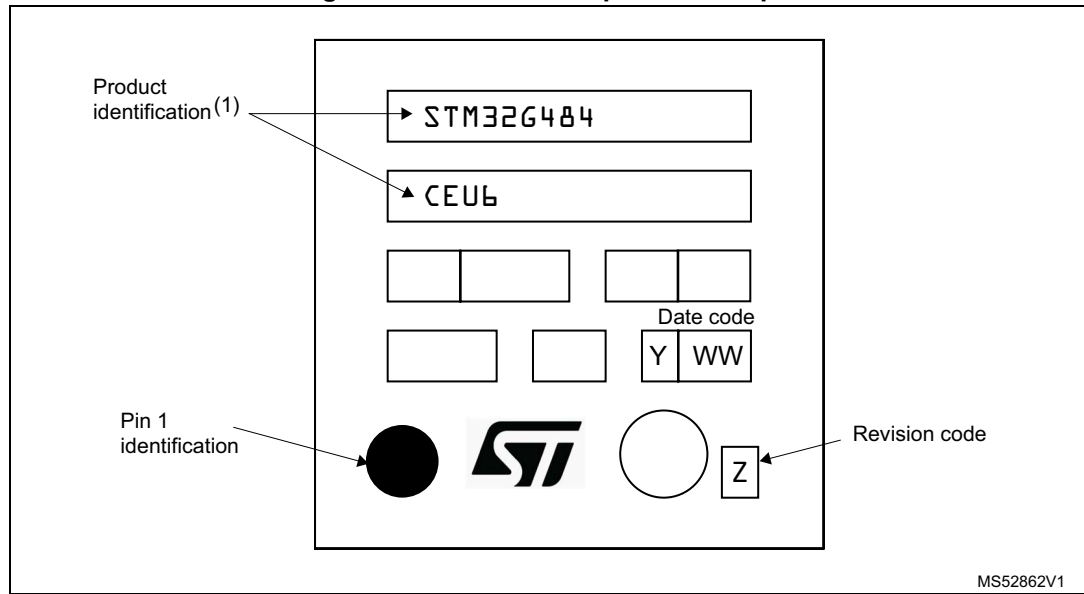
UFQFPN48 device marking

The following figure gives an example of topside marking orientation versus pin 1 identifier location.

The printed markings may differ depending on the supply chain.

Other optional marking or inset/upset marks, which identify the parts throughout supply chain operations, are not indicated below.

Figure 57. UFQFPN48 top view example

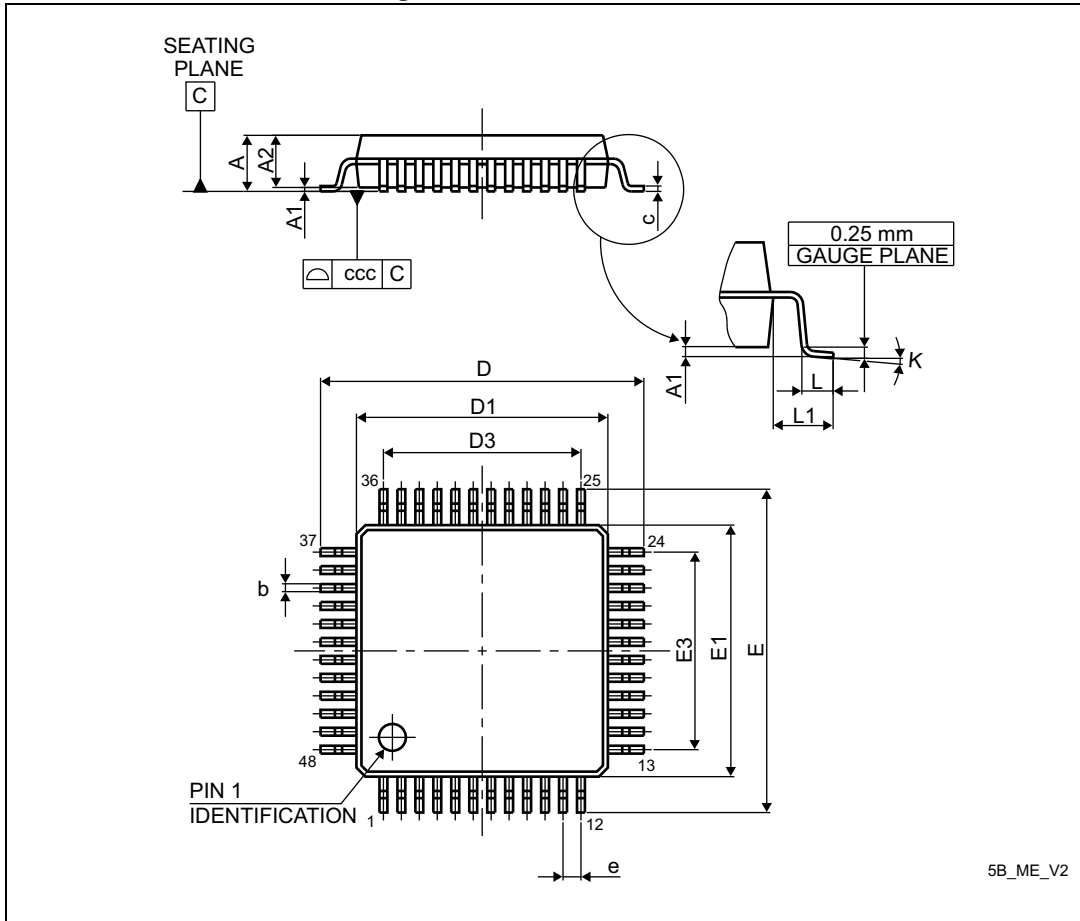


1. Parts marked as ES or E or accompanied by an engineering sample notification letter are not yet qualified and therefore not approved for use in production. ST is not responsible for any consequences resulting from such use. In no event will ST be liable for the customer using any of these engineering samples in production. ST's Quality department must be contacted prior to any decision to use these engineering samples to run a qualification activity.

6.3 LQFP48 package information

LQFP48 is a 48-pin, 7 x 7 mm low-profile quad flat package.

Figure 58. LQFP48 - outline



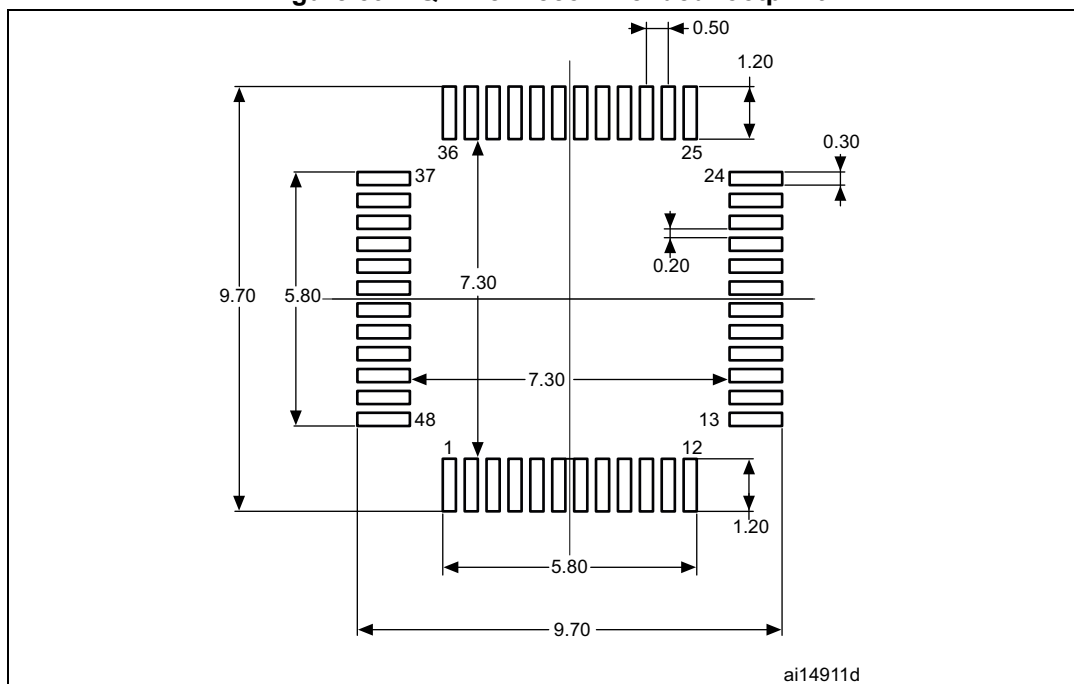
1. Drawing is not to scale.

Table 117. LQFP48 - mechanical data

| Symbol | millimeters | | | inches ⁽¹⁾ | | |
|--------|-------------|-------|-------|-----------------------|--------|--------|
| | Min | Typ | Max | Min | Typ | Max |
| A | - | - | 1.600 | - | - | 0.0630 |
| A1 | 0.050 | - | 0.150 | 0.0020 | - | 0.0059 |
| A2 | 1.350 | 1.400 | 1.450 | 0.0531 | 0.0551 | 0.0571 |
| b | 0.170 | 0.220 | 0.270 | 0.0067 | 0.0087 | 0.0106 |
| c | 0.090 | - | 0.200 | 0.0035 | - | 0.0079 |
| D | 8.800 | 9.000 | 9.200 | 0.3465 | 0.3543 | 0.3622 |
| D1 | 6.800 | 7.000 | 7.200 | 0.2677 | 0.2756 | 0.2835 |
| D3 | - | 5.500 | - | - | 0.2165 | - |
| E | 8.800 | 9.000 | 9.200 | 0.3465 | 0.3543 | 0.3622 |
| E1 | 6.800 | 7.000 | 7.200 | 0.2677 | 0.2756 | 0.2835 |
| E3 | - | 5.500 | - | - | 0.2165 | - |
| e | - | 0.500 | - | - | 0.0197 | - |
| L | 0.450 | 0.600 | 0.750 | 0.0177 | 0.0236 | 0.0295 |
| L1 | - | 1.000 | - | - | 0.0394 | - |
| k | 0° | 3.5° | 7° | 0° | 3.5° | 7° |
| ccc | - | - | 0.080 | - | - | 0.0031 |

1. Values in inches are converted from mm and rounded to 4 decimal digits.

Figure 59. LQFP48 - recommended footprint



1. Dimensions are expressed in millimeters.

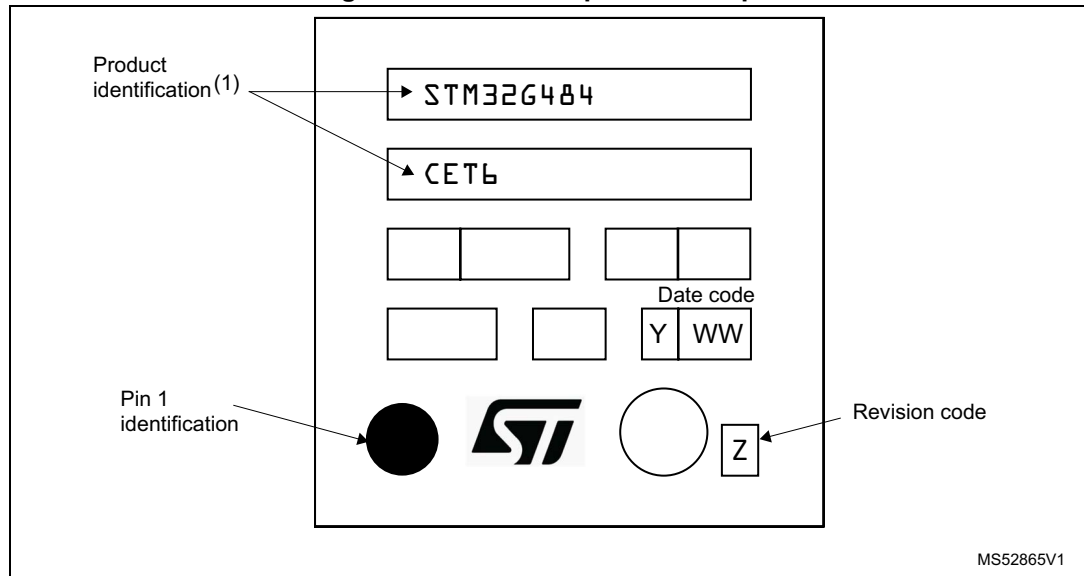
LQFP48 device marking

The following figure gives an example of topside marking orientation versus pin 1 identifier location.

The printed markings may differ depending on the supply chain.

Other optional marking or inset/upset marks, which identify the parts throughout supply chain operations, are not indicated below.

Figure 60. LQFP48 top view example

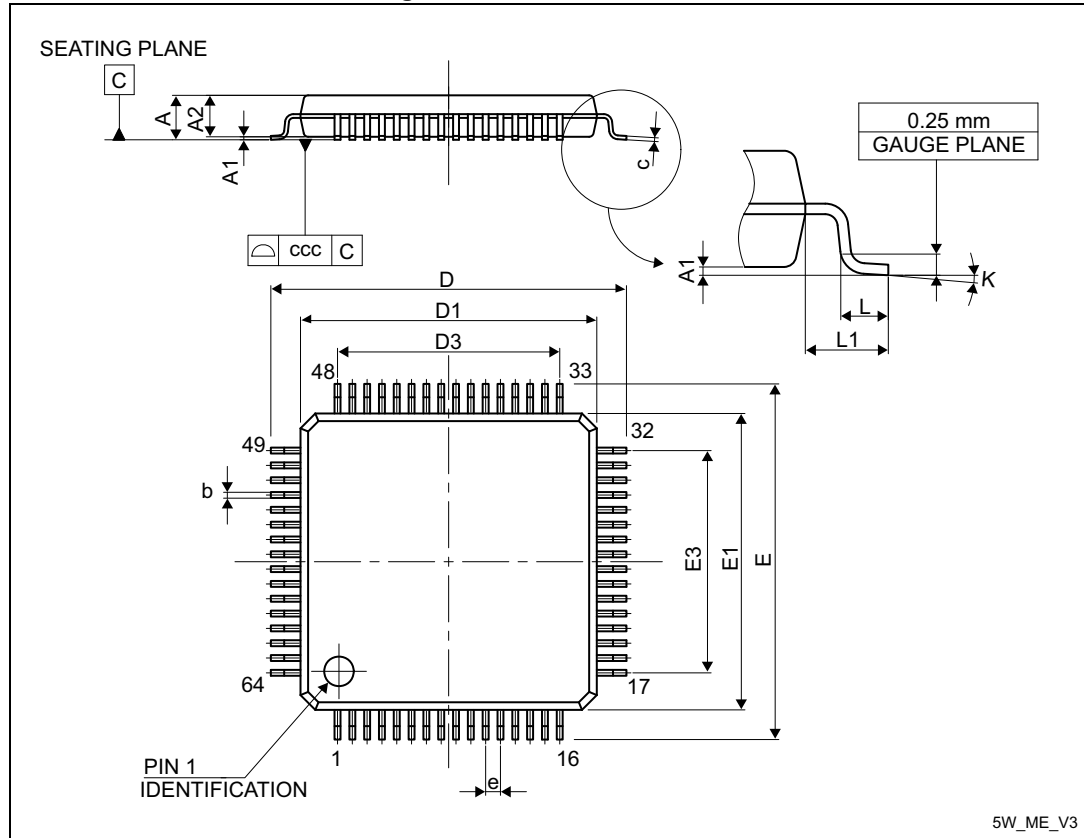


1. Parts marked as ES or E or accompanied by an engineering sample notification letter are not yet qualified and therefore not approved for use in production. ST is not responsible for any consequences resulting from such use. In no event will ST be liable for the customer using any of these engineering samples in production. ST's Quality department must be contacted prior to any decision to use these engineering samples to run a qualification activity.

6.4 LQFP64 package information

LQFP64 is a 64-pin, 10 x 10 mm low-profile quad flat package.

Figure 61. LQFP64 - outline



1. Drawing is not to scale.

Table 118. LQFP64 - mechanical data

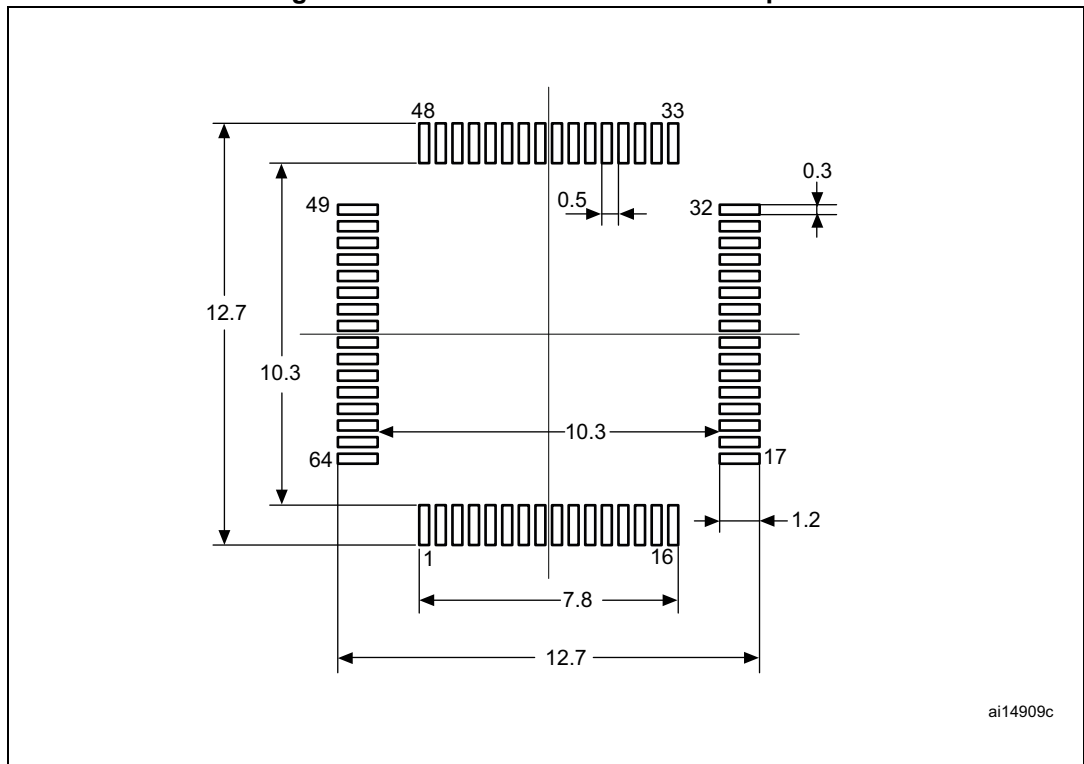
| Symbol | millimeters | | | inches ⁽¹⁾ | | |
|--------|-------------|--------|-------|-----------------------|--------|--------|
| | Min | Typ | Max | Min | Typ | Max |
| A | - | - | 1.600 | - | - | 0.0630 |
| A1 | 0.050 | - | 0.150 | 0.0020 | - | 0.0059 |
| A2 | 1.350 | 1.400 | 1.450 | 0.0531 | 0.0551 | 0.0571 |
| b | 0.170 | 0.220 | 0.270 | 0.0067 | 0.0087 | 0.0106 |
| c | 0.090 | - | 0.200 | 0.0035 | - | 0.0079 |
| D | - | 12.000 | - | - | 0.4724 | - |
| D1 | - | 10.000 | - | - | 0.3937 | - |
| D3 | - | 7.500 | - | - | 0.2953 | - |
| E | - | 12.000 | - | - | 0.4724 | - |
| E1 | - | 10.000 | - | - | 0.3937 | - |

Table 118. LQFP64 - mechanical data (continued)

| Symbol | millimeters | | | inches ⁽¹⁾ | | |
|--------|-------------|-------|-------|-----------------------|--------|--------|
| | Min | Typ | Max | Min | Typ | Max |
| E3 | - | 7.500 | - | - | 0.2953 | - |
| e | - | 0.500 | - | - | 0.0197 | - |
| K | 0° | 3.5° | 7° | 0° | 3.5° | 7° |
| L | 0.450 | 0.600 | 0.750 | 0.0177 | 0.0236 | 0.0295 |
| L1 | - | 1.000 | - | - | 0.0394 | - |
| ccc | - | - | 0.080 | - | - | 0.0031 |

1. Values in inches are converted from mm and rounded to 4 decimal digits.

Figure 62. LQFP64 - recommended footprint



1. Dimensions are expressed in millimeters.

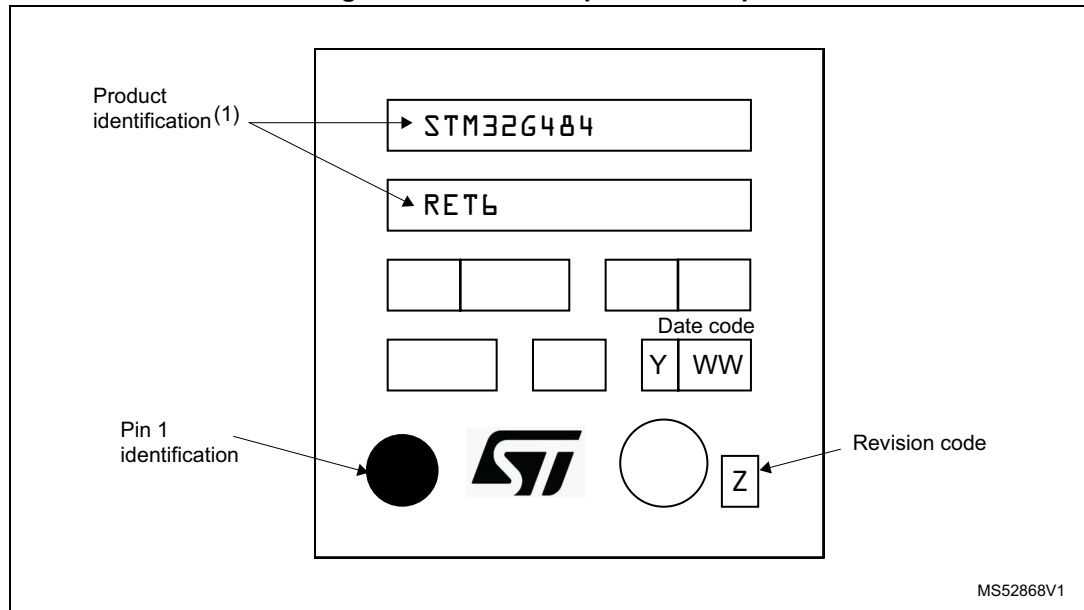
LQFP64 device marking

The following figure gives an example of topside marking orientation versus pin 1 identifier location.

The printed markings may differ depending on the supply chain.

Other optional marking or inset/upset marks, which identify the parts throughout supply chain operations, are not indicated below.

Figure 63. LQFP64 top view example

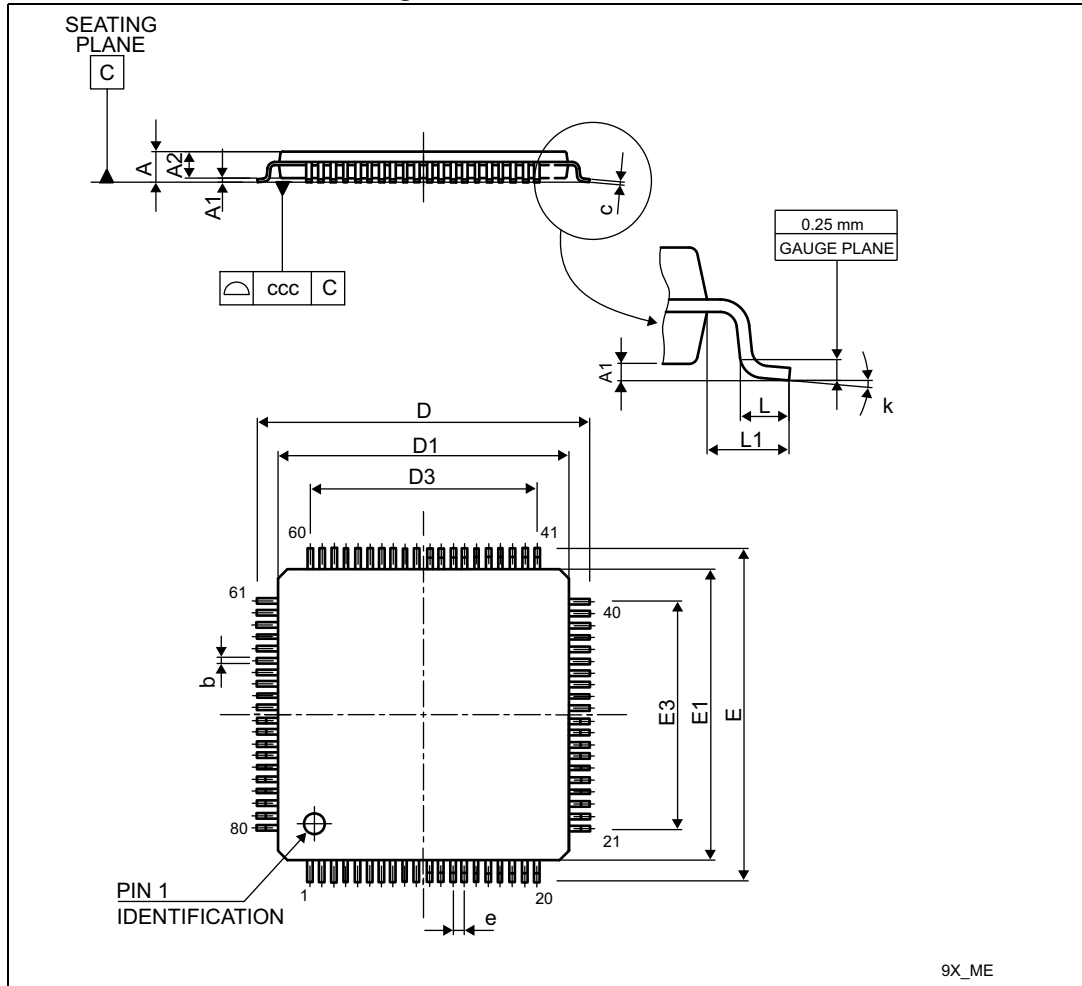


1. Parts marked as ES or E or accompanied by an engineering sample notification letter are not yet qualified and therefore not approved for use in production. ST is not responsible for any consequences resulting from such use. In no event will ST be liable for the customer using any of these engineering samples in production. ST's Quality department must be contacted prior to any decision to use these engineering samples to run a qualification activity.

6.5 LQFP80 package information

LQFP80 is a 80-pin, 12 x 12 mm low-profile quad flat package.

Figure 64. LQFP80 - outline



1. Drawing is not to scale.
2. All leads/pads should also be soldered to the PCB to improve the lead/pad solder joint life.
3. There is an exposed die pad on the underside of the UFQFPN package. It is recommended to connect and solder this back-side pad to PCB ground.

Table 119. LQFP80 - mechanical data

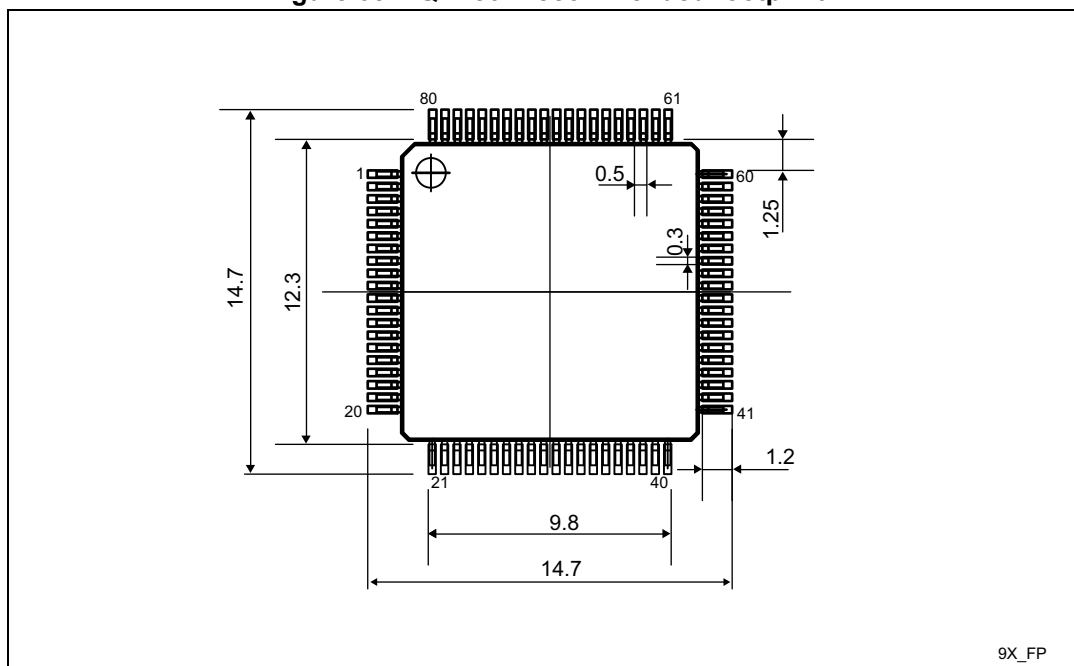
| Symbol | Millimeters | | | inches ⁽¹⁾ | | |
|--------|-------------|-------|-------|-----------------------|--------|--------|
| | Min | Typ | Max | Min | Typ | Max |
| A | - | - | 1.600 | - | - | 0.0630 |
| A1 | 0.050 | - | 0.150 | 0.0020 | - | 0.0059 |
| A2 | 1.350 | 1.400 | 1.450 | 0.0531 | 0.0551 | 0.0571 |
| b | 0.170 | 0.220 | 0.270 | 0.0067 | 0.0087 | 0.0106 |
| c | 0.090 | - | 0.200 | 0.0035 | - | 0.0079 |

Table 119. LQFP80 - mechanical data (continued)

| Symbol | Millimeters | | | inches ⁽¹⁾ | | |
|--------|-------------|--------|-------|-----------------------|--------|--------|
| | Min | Typ | Max | Min | Typ | Max |
| D | - | 14.000 | - | - | 0.5512 | - |
| D1 | - | 12.000 | - | - | 0.4724 | - |
| D2 | - | 9.500 | - | - | 0.3740 | - |
| E | - | 14.000 | - | - | 0.5512 | - |
| E1 | - | 12.000 | - | - | 0.4724 | - |
| E3 | - | 9.500 | - | - | 0.3740 | - |
| e | - | 0.500 | - | - | 0.0197 | - |
| L | 0.450 | 0.600 | 0.750 | 0.0177 | 0.0236 | 0.0295 |
| L1 | - | 1.000 | - | - | 0.0394 | - |
| ccc | - | - | 0.080 | - | - | 0.0031 |
| k | 0.0° | - | 7.0° | 0.0° | - | 7.0° |

1. Values in inches are converted from mm and rounded to 4 decimal digits.

Figure 65. LQFP80 - recommended footprint



1. Dimensions are expressed in millimeters.

6.6 TFBGA100 package information

TFBGA is a 100-ball, 8 x 8 mm, 0.8 mm pitch fine pitch ball grid array package

Figure 66. TFBGA100 - outline

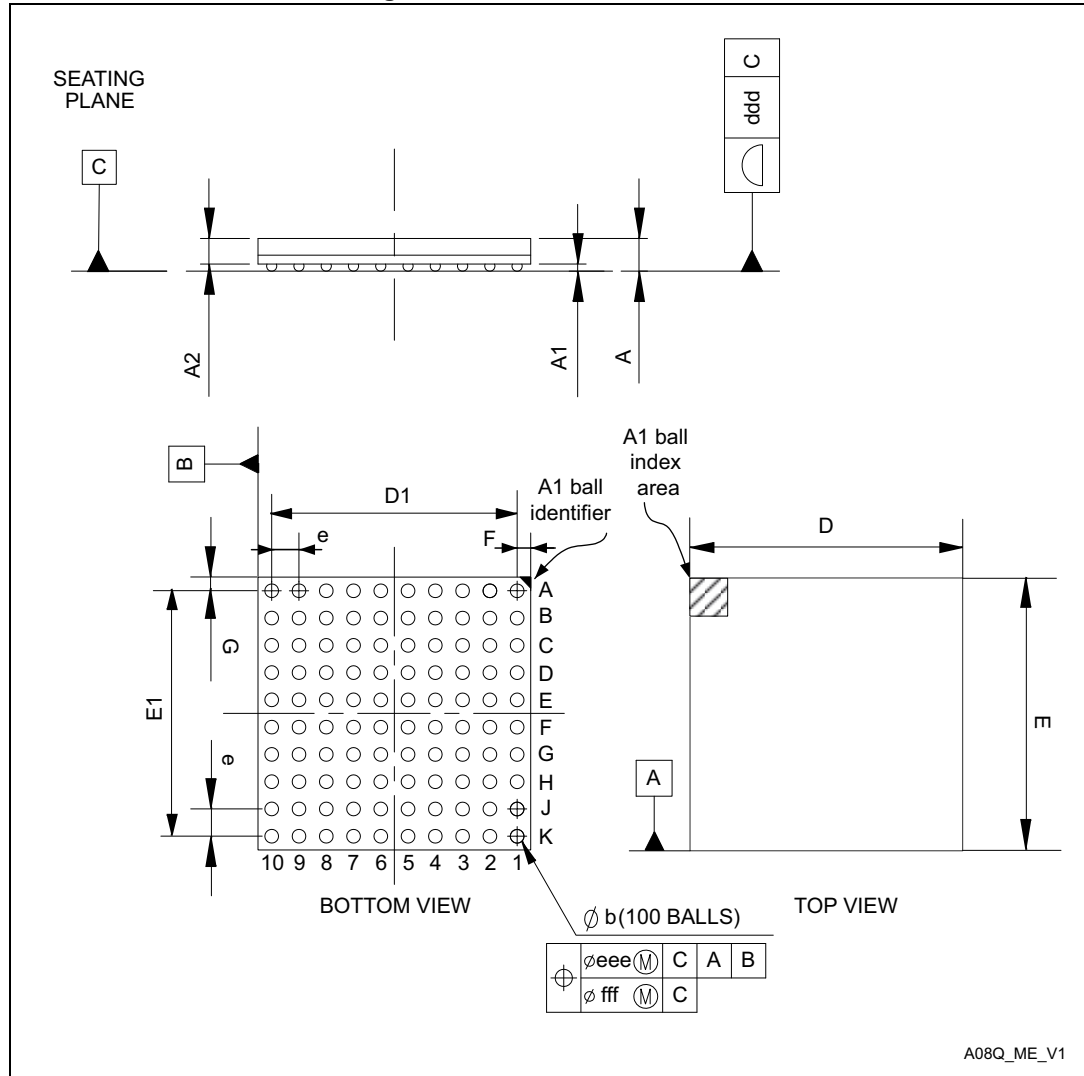


Table 120. TFBGA100 - mechanical data

| Symbol | millimeters | | | inches ⁽¹⁾ | | |
|--------|-------------|-------|-------|-----------------------|--------|--------|
| | Min | Typ | Max | Min | Typ | Max |
| A | - | - | 1.100 | - | - | 0.0433 |
| A1 | 0.150 | - | - | 0.0059 | - | - |
| A2 | - | 0.760 | - | - | 0.0299 | - |
| b | 0.350 | 0.400 | 0.450 | 0.0138 | 0.0157 | 0.0177 |
| D | 7.850 | 8.000 | 8.150 | 0.3091 | 0.3150 | 0.3209 |
| D1 | - | 7.200 | - | - | 0.2835 | - |
| E | 7.850 | 8.000 | 8.150 | 0.3091 | 0.3150 | 0.3209 |
| E1 | - | 7.200 | - | - | 0.2835 | - |
| e | - | 0.800 | - | - | 0.0315 | - |
| F | - | 0.400 | - | - | 0.0157 | - |
| G | - | 0.400 | - | - | 0.0157 | - |
| ddd | - | - | 0.100 | - | - | 0.0039 |
| eee | - | - | 0.150 | - | - | 0.0059 |
| fff | - | - | 0.080 | - | - | 0.0031 |

1. Values in inches are converted from mm and rounded to 4 decimal digits.

Figure 67. TFBGA100 - recommended footprint

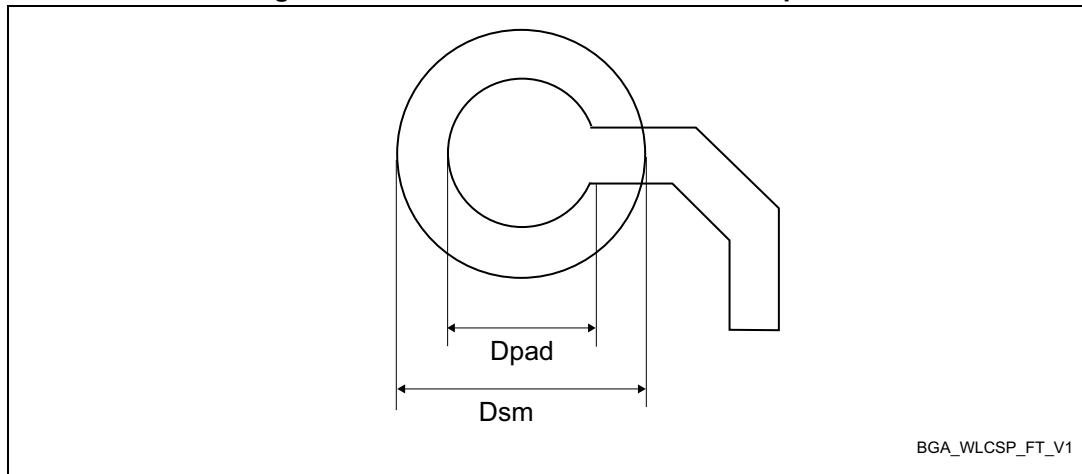


Table 121. TFBGA100 - recommended PCB design rules

| Dimension | Recommended values |
|-----------|--|
| Pitch | 0.8 |
| Dpad | 0.400 mm |
| Dsm | 0.470 mm typ. (depends on the soldermask registration tolerance) |

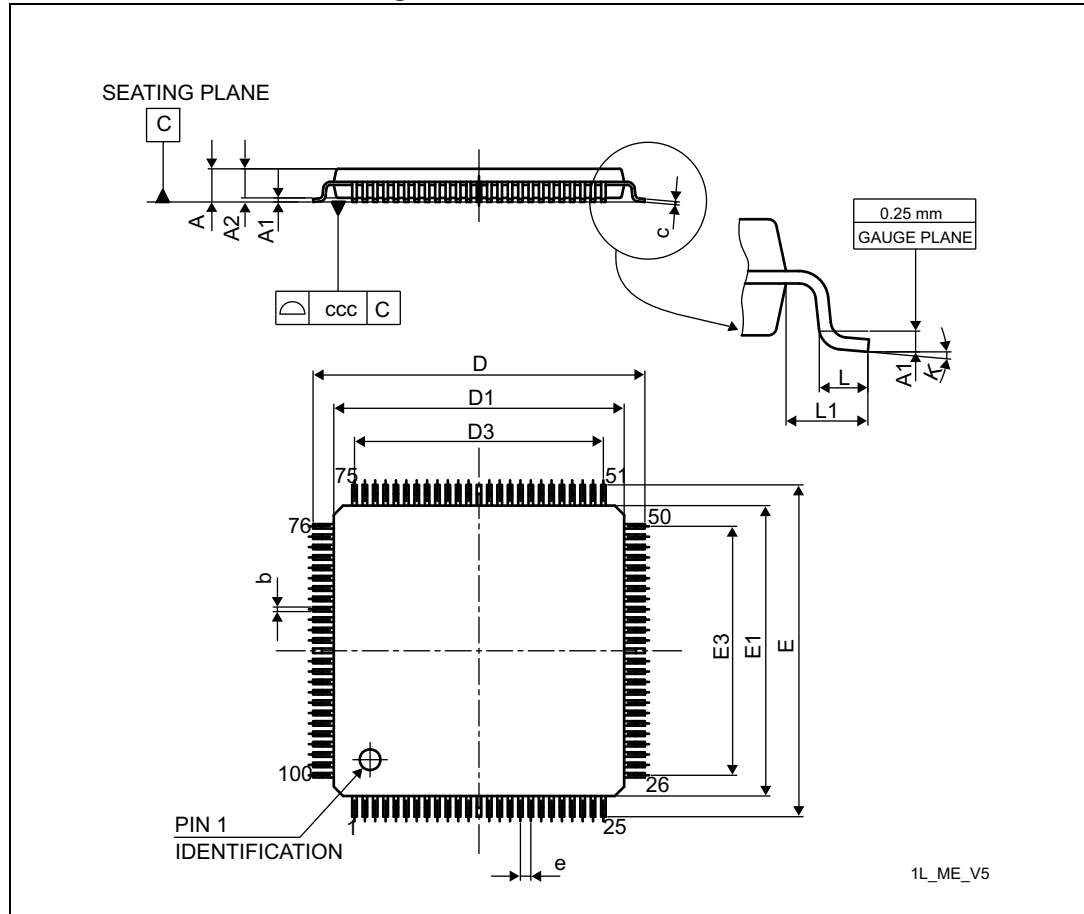
Table 121. TFBGA100 - recommended PCB design rules (continued)

| Dimension | Recommended values |
|-------------------|-------------------------------|
| Stencil opening | 0.400 mm |
| Stencil thickness | Between 0.100 mm and 0.125 mm |
| Pad trace width | 0.120 mm |

6.7 LQFP100 package information

LQFP100 is a 100-pin, 14 x 14 mm low-profile quad flat package.

Figure 68. LQFP100 - outline



1. Drawing is not to scale.

Table 122. LQFP100 - mechanical data

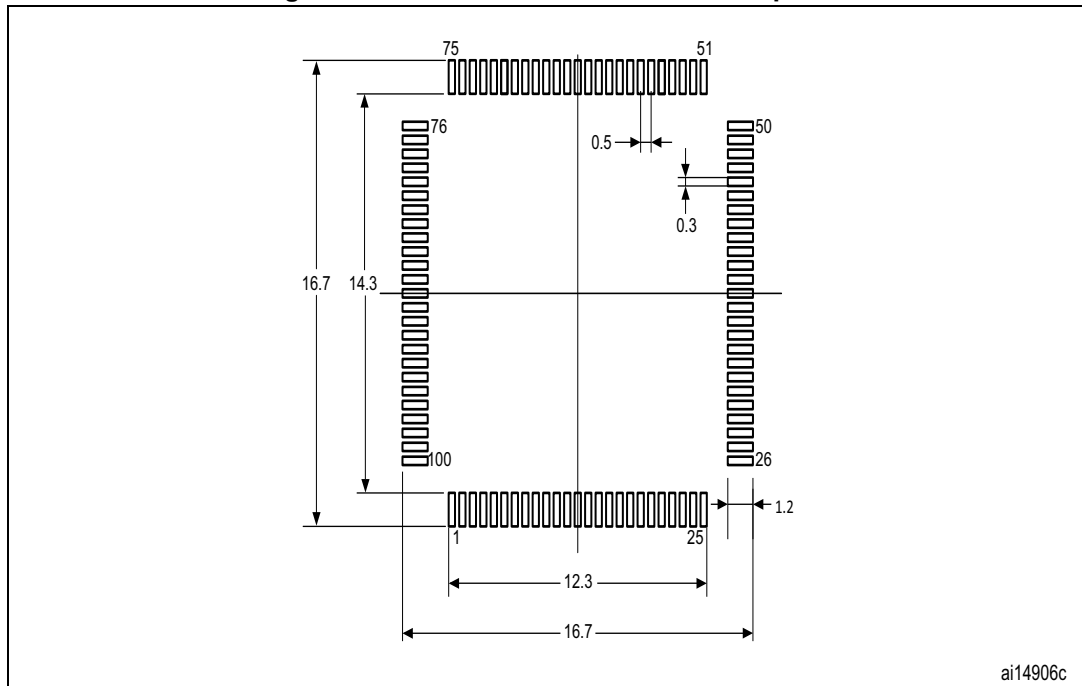
| Symbol | millimeters | | | inches ⁽¹⁾ | | |
|--------|-------------|--------|--------|-----------------------|--------|--------|
| | Min | Typ | Max | Min | Typ | Max |
| A | - | - | 1.600 | - | - | 0.0630 |
| A1 | 0.050 | - | 0.150 | 0.0020 | - | 0.0059 |
| A2 | 1.350 | 1.400 | 1.450 | 0.0531 | 0.0551 | 0.0571 |
| b | 0.170 | 0.220 | 0.270 | 0.0067 | 0.0087 | 0.0106 |
| c | 0.090 | - | 0.200 | 0.0035 | - | 0.0079 |
| D | 15.800 | 16.000 | 16.200 | 0.6220 | 0.6299 | 0.6378 |
| D1 | 13.800 | 14.000 | 14.200 | 0.5433 | 0.5512 | 0.5591 |
| D3 | - | 12.000 | - | - | 0.4724 | - |

Table 122. LQPF100 - mechanical data (continued)

| Symbol | millimeters | | | inches ⁽¹⁾ | | |
|--------|-------------|--------|--------|-----------------------|--------|--------|
| | Min | Typ | Max | Min | Typ | Max |
| E | 15.800 | 16.000 | 16.200 | 0.6220 | 0.6299 | 0.6378 |
| E1 | 13.800 | 14.000 | 14.200 | 0.5433 | 0.5512 | 0.5591 |
| E3 | - | 12.000 | - | - | 0.4724 | - |
| e | - | 0.500 | - | - | 0.0197 | - |
| L | 0.450 | 0.600 | 0.750 | 0.0177 | 0.0236 | 0.0295 |
| L1 | - | 1.000 | - | - | 0.0394 | - |
| k | 0.0° | 3.5° | 7.0° | 0.0° | 3.5° | 7.0° |
| ccc | - | - | 0.080 | - | - | 0.0031 |

1. Values in inches are converted from mm and rounded to 4 decimal digits.

Figure 69. LQFP100 - recommended footprint



1. Dimensions are expressed in millimeters.

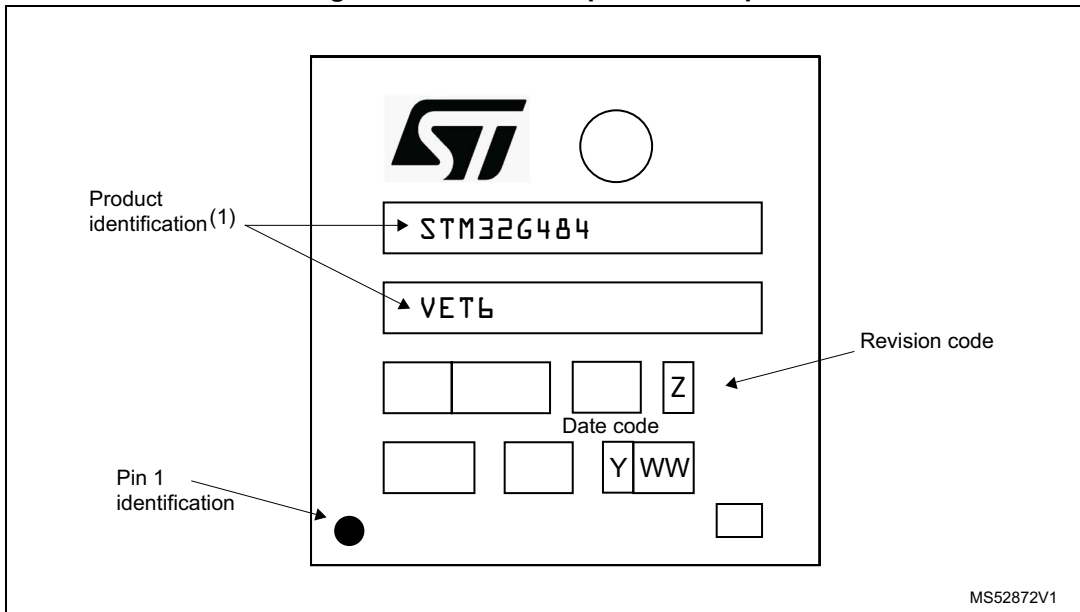
LQFP100 device marking

The following figure gives an example of topside marking orientation versus pin 1 identifier location.

The printed markings may differ depending on the supply chain.

Other optional marking or inset/upset marks, which identify the parts throughout supply chain operations, are not indicated below.

Figure 70. LQFP100 top view example

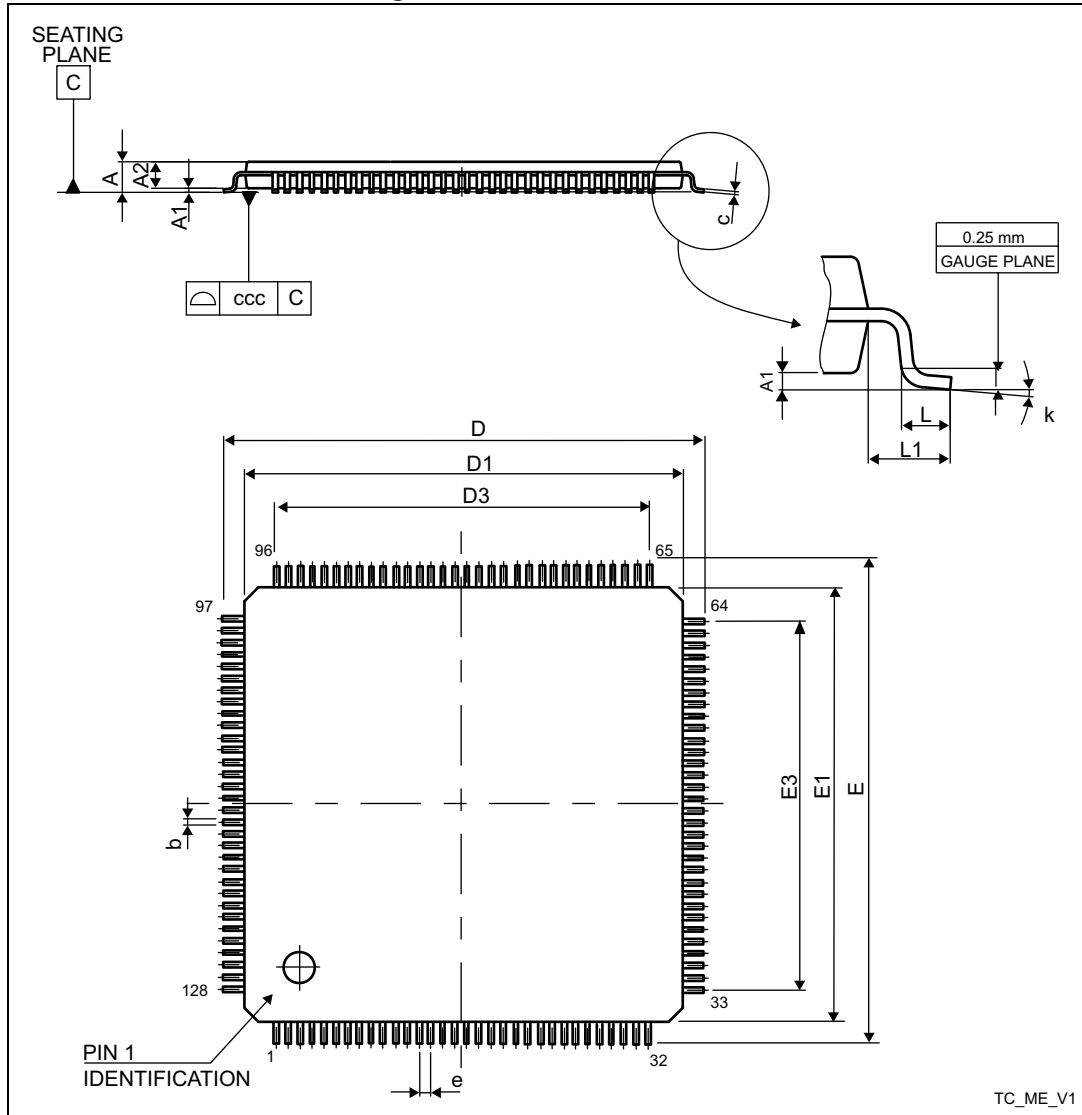


1. Parts marked as ES or E or accompanied by an engineering sample notification letter are not yet qualified and therefore not approved for use in production. ST is not responsible for any consequences resulting from such use. In no event will ST be liable for the customer using any of these engineering samples in production. ST's Quality department must be contacted prior to any decision to use these engineering samples to run a qualification activity.

6.8 LQFP128 package information

LQFP is a 128-pin, 14 x 14 mm low-profile quad flat package

Figure 71. LQFP128 - outline



1. Drawing is not to scale.

Table 123. LQFP128 - mechanical data

| Symbol | Millimeters | | | Inches ⁽¹⁾ | | |
|--------|-------------|-------|-------|-----------------------|--------|--------|
| | Min. | Typ. | Max. | Min. | Typ. | Max. |
| A | - | - | 1.600 | - | - | 0.0630 |
| A1 | 0.050 | - | 0.150 | 0.0020 | - | 0.0059 |
| A2 | 1.350 | 1.400 | 1.450 | 0.0531 | 0.0551 | 0.0571 |
| b | 0.130 | 0.180 | 0.230 | 0.0051 | 0.0071 | 0.0091 |

Table 123. LQFP128 - mechanical data (continued)

| Symbol | Millimeters | | | Inches ⁽¹⁾ | | |
|--------|-------------|--------|--------|-----------------------|--------|--------|
| | Min. | Typ. | Max. | Min. | Typ. | Max. |
| c | 0.090 | - | 0.200 | 0.0035 | - | 0.0079 |
| D | 15.800 | 16.000 | 16.200 | 0.6220 | 0.6299 | 0.6378 |
| D1 | 13.800 | 14.000 | 14.200 | 0.5433 | 0.5512 | 0.5591 |
| D3 | - | 12.400 | - | - | 0.4882 | - |
| E | 15.800 | 16.000 | 16.200 | 0.6220 | 0.6299 | 0.6378 |
| E1 | 13.800 | 14.000 | 14.200 | 0.5433 | 0.5512 | 0.5591 |
| E3 | - | 12.400 | - | - | 0.4882 | - |
| e | - | 0.400 | - | - | 0.0157 | - |
| L | 0.450 | 0.600 | 0.750 | 0.0177 | 0.0236 | 0.0295 |
| L1 | - | 1.000 | - | - | 0.0394 | - |
| k | 0° | 3.5° | 7° | 0° | 3.5° | 7° |
| ccc | - | - | 0.080 | - | - | 0.0031 |

1. Values in inches are converted from mm and rounded to 4 decimal digits.

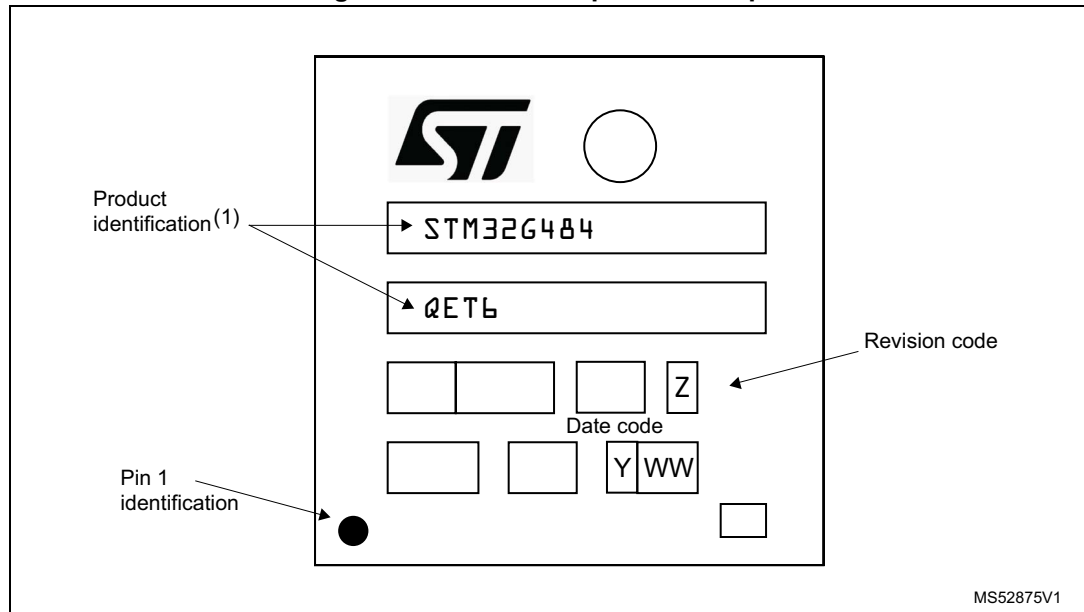
LQFP128 device marking

The following figure gives an example of topside marking orientation versus pin 1 identifier location.

The printed markings may differ depending on the supply chain.

Other optional marking or inset/upset marks, which identify the parts throughout supply chain operations, are not indicated below.

Figure 72. LQFP128 top view example



1. Parts marked as ES or E or accompanied by an engineering sample notification letter are not yet qualified and therefore not approved for use in production. ST is not responsible for any consequences resulting from such use. In no event will ST be liable for the customer using any of these engineering samples in production. ST's Quality department must be contacted prior to any decision to use these engineering samples to run a qualification activity.

6.9 Thermal characteristics

The maximum chip-junction temperature, $T_J \text{ max}$, in degrees Celsius, may be calculated using the following equation:

$$T_J \text{ max} = T_A \text{ max} + (P_D \text{ max} \times \Theta_{JA})$$

Where:

- $T_A \text{ max}$ is the maximum ambient temperature in °C,
- Θ_{JA} is the package junction-to-ambient thermal resistance, in °C/W,
- $P_D \text{ max}$ is the sum of $P_{INT} \text{ max}$ and $P_{I/O} \text{ max}$ ($P_D \text{ max} = P_{INT} \text{ max} + P_{I/O} \text{ max}$),
- $P_{INT} \text{ max}$ is the product of I_{DD} and V_{DD} , expressed in Watts. This is the maximum chip internal power.

$P_{I/O} \text{ max}$ represents the maximum power dissipation on output pins where:

$$P_{I/O} \text{ max} = \sum (V_{OL} \times I_{OL}) + \sum ((V_{DDIOx} - V_{OH}) \times I_{OH}),$$

taking into account the actual V_{OL} / I_{OL} and V_{OH} / I_{OH} of the I/Os at low and high level in the application.

Table 124. Package thermal characteristics

| Symbol | Parameter | Value | Unit |
|---------------|---|-------|------|
| Θ_{JA} | Thermal resistance junction-ambient LQFP128 - 14 × 14 mm | 43.0 | °C/W |
| | Thermal resistance junction-ambient LQFP100 - 14 × 14 mm | 46.2 | |
| | Thermal resistance junction-ambient LQFP80 - 12 × 12 mm | TBD | |
| | Thermal resistance junction-ambient LQFP64 - 10 × 10 mm | 47.9 | |
| | Thermal resistance junction-ambient LQFP48 - 7 × 7 mm | 55.2 | |
| | Thermal resistance junction-ambient TFBGA100 - 8 × 8 mm | 30.8 | |
| | Thermal resistance junction-ambient UFQFPN48 - 7 × 7 mm | 26.8 | |
| | Thermal resistance junction-ambient WLCSP81 - 4.02 X 4.27 mm | 45 | |

Table 124. Package thermal characteristics (continued)

| Symbol | Parameter | Value | Unit |
|---------------|---|-------------------------|------|
| Θ_{JC} | Thermal resistance junction-case LQFP128 - 14 × 14 mm | 7.0 | °C/W |
| | Thermal resistance junction-case LQFP100 - 14 × 14 mm | 8.3 | |
| | Thermal resistance junction-case LQFP80 - 12 × 12 mm | TBD | |
| | Thermal resistance junction-case LQFP64 - 10 × 10 mm | 8.0 | |
| | Thermal resistance junction-case LQFP48 - 7 × 7 mm | 9.6 | |
| | Thermal resistance junction-case TFBGA100 - 8 × 8 mm | 13 | |
| | Thermal resistance junction-case UFQFPN48 - 7 × 7 mm | 2 ⁽¹⁾ 7.5 | |
| | Thermal resistance junction-case WLCSP81 - 4.02 X 4.27 mm | 1.46 | |
| Θ_{JB} | Thermal resistance junction-board LQFP128 - 14 × 14 mm | 19.9 | °C/W |
| | Thermal resistance junction-board LQFP100 - 14 × 14 mm | 22.9 | |
| | Thermal resistance junction-board LQFP80 - 12 × 12 mm | TBD | |
| | Thermal resistance junction-board LQFP64 - 10 × 10 mm | 21.8 | |
| | Thermal resistance junction-board LQFP48 - 7 × 7 mm | 24.3 | |
| | Thermal resistance junction-board TFBGA100 - 8 × 8 mm | 13.42 | |
| | Thermal resistance junction-board UFQFPN48 - 7 × 7 mm | 11 | |
| | Thermal resistance junction-board WLCSP81 - 4.02 X 4.27 mm | 27.45 | |

1. Thermal resistance junction-case where the case is the bottom thermal pad on the UFQFPN package.

6.9.1 Reference document

JESD51-2 Integrated Circuits Thermal Test Method Environment Conditions - Natural Convection (Still Air). Available from www.jedec.org

6.9.2 Selecting the product temperature range

When ordering the microcontroller, the temperature range is specified in the ordering information scheme shown in [Section 7: Ordering information](#).

Each temperature range suffix corresponds to a specific guaranteed ambient temperature at maximum dissipation and, to a specific maximum junction temperature.

As applications do not commonly use the STM32G484xE at maximum dissipation, it is useful to calculate the exact power consumption and junction temperature to determine which temperature range is best suited to the application.

The following examples show how to calculate the temperature range needed for a given application.

Example 1: High-performance application

Assuming the following application conditions:

Maximum ambient temperature $T_{Amax} = 82\text{ °C}$ (measured according to JESD51-2),
 $I_{DDmax} = 50\text{ mA}$, $V_{DD} = 3.5\text{ V}$, maximum 20 I/Os used at the same time in output at low level with $I_{OL} = 8\text{ mA}$, $V_{OL} = 0.4\text{ V}$ and maximum 8 I/Os used at the same time in output at low level with $I_{OL} = 20\text{ mA}$, $V_{OL} = 1.3\text{ V}$

$$P_{INTmax} = 50\text{ mA} \times 3.5\text{ V} = 175\text{ mW}$$

$$P_{IOmax} = 20 \times 8\text{ mA} \times 0.4\text{ V} + 8 \times 20\text{ mA} \times 1.3\text{ V} = 272\text{ mW}$$

This gives: $P_{INTmax} = 175\text{ mW}$ and $P_{IOmax} = 272\text{ mW}$:

$$P_{Dmax} = 175 + 272 = 447\text{ mW}$$

Using the values obtained in T_{Jmax} is calculated as follows:

– For LQFP100, 42 °C/W

$$T_{Jmax} = 82\text{ °C} + (42\text{ °C/W} \times 447\text{ mW}) = 82\text{ °C} + 18.774\text{ °C} = 100.774\text{ °C}$$

This is within the range of the suffix 6 version parts ($-40 < T_J < 105\text{ °C}$) see [Section 7: Ordering information](#).

In this case, parts must be ordered at least with the temperature range suffix 6 (see [Section 7: Ordering information](#)).

Note: With this given P_{Dmax} we can find the T_{Amax} allowed for a given device temperature range (order code suffix 6 or 7).

$$\text{Suffix 6: } T_{Amax} = T_{Jmax} - (42\text{ °C/W} \times 447\text{ mW}) = 105 - 18.774 = 86.226\text{ °C}$$

$$\text{Suffix 3: } T_{Amax} = T_{Jmax} - (42\text{ °C/W} \times 447\text{ mW}) = 130 - 18.774 = 111.226\text{ °C}$$

Example 2: High-temperature application

Using the same rules, it is possible to address applications that run at high ambient temperatures with a low dissipation, as long as junction temperature T_J remains within the specified range.

Assuming the following application conditions:

Maximum ambient temperature $T_{Amax} = 100\text{ °C}$ (measured according to JESD51-2),
 $I_{DDmax} = 20\text{ mA}$, $V_{DD} = 3.5\text{ V}$, maximum 20 I/Os used at the same time in output at low level with $I_{OL} = 8\text{ mA}$, $V_{OL} = 0.4\text{ V}$

$$P_{INTmax} = 20\text{ mA} \times 3.5\text{ V} = 70\text{ mW}$$

$$P_{IOmax} = 20 \times 8\text{ mA} \times 0.4\text{ V} = 64\text{ mW}$$

This gives: $P_{INTmax} = 70\text{ mW}$ and $P_{IOmax} = 64\text{ mW}$:

$$P_{Dmax} = 70 + 64 = 134\text{ mW}$$

Thus: $P_{Dmax} = 134\text{ mW}$

Using the values obtained in T_{Jmax} is calculated as follows:

– For LQFP100, 42 °C/W

$$T_{Jmax} = 100\text{ °C} + (42\text{ °C/W} \times 134\text{ mW}) = 100\text{ °C} + 5.628\text{ °C} = 105.628\text{ °C}$$

This is above the range of the suffix 6 version parts ($-40 < T_J < 105\text{ °C}$).

In this case, parts must be ordered at least with the temperature range suffix 3 (see [Section 7: Ordering information](#)) unless we reduce the power dissipation in order to be able to use suffix 6 parts.

7 Ordering information

Table 125. Ordering information

| Example: | STM32 | G | 484 | V | E | T | 6 | x |
|---|-------|---|-----|---|---|---|---|---|
| Device family STM32 = Arm-based 32-bit microcontroller | | | | | | | | |
| Product type G = General-purpose | | | | | | | | |
| Sub-family 484 = STM32G484xE | | | | | | | | |
| Pin count C = 48 pins R = 64 pins M = 80 pins, 81 pins V = 100 pins Q = 128 pins | | | | | | | | |
| Code size E = 512 Kbyte | | | | | | | | |
| Package H = TFBGA T = LQFP U = UFQFPN Y = WLCSP | | | | | | | | |
| Temperature range 6 = Industrial temperature range, - 40 to 85 °C (105 °C junction) 3 = Industrial temperature range, - 40 to 125 °C (130 °C junction) | | | | | | | | |
| Options xxx = programmed parts TR = tape and reel | | | | | | | | |

For a list of available options (memory, package, and so on) or for further information on any aspect of this device, contact the nearest ST sales office.

8 Revision history

Table 126. Document revision history

| Date | Revision | Changes |
|-------------|----------|---|
| 08-May-2019 | 1 | Initial release. |
| 16-Dec-2019 | 2 | <p>Updated:</p> <ul style="list-style-type: none"> – <i>Features, Section 2: Description, Section 3.6: Multi-AHB bus matrix, Section 3.22: Operational amplifier (OPAMP), Section 3.25.2: Advanced motor control timer (TIM1, TIM8, TIM20)</i> – <i>Table 2: STM32G484xE features and peripheral counts, Table 7: Timer feature comparison, Table 38: Peripheral current consumption, Table 17: General operating conditions, Table 69: ADC characteristics, Table 70: Maximum ADC RAIN, Table 78: DAC 1MSPS accuracy, Table 121: TFBGA100 - recommended PCB design rules, Table 124: Package thermal characteristics, Table 125: Ordering information</i> – <i>Figure 2: Multi-AHB bus matrix</i> <p>Added:</p> <ul style="list-style-type: none"> – <i>Section 3.39: Quad SPI memory interface (QUADSPI), Section 5.3.29: QUADSPI characteristics,</i> – <i>Table 74: ADC accuracy (Multiple ADCs operation) - limited test conditions 1, Table 75: ADC accuracy (Multiple ADCs operation) - limited test conditions 2, Table 76: ADC accuracy (Multiple ADCs operation) - limited test conditions 3</i> – <i>Figure 57: UFQFPN48 top view example, Figure 60: LQFP48 top view example, Figure 70: LQFP100 top view example, Figure 72: LQFP128 top view example.</i> |

IMPORTANT NOTICE – PLEASE READ CAREFULLY

STMicroelectronics NV and its subsidiaries (“ST”) reserve the right to make changes, corrections, enhancements, modifications, and improvements to ST products and/or to this document at any time without notice. Purchasers should obtain the latest relevant information on ST products before placing orders. ST products are sold pursuant to ST’s terms and conditions of sale in place at the time of order acknowledgement.

Purchasers are solely responsible for the choice, selection, and use of ST products and ST assumes no liability for application assistance or the design of Purchasers’ products.

No license, express or implied, to any intellectual property right is granted by ST herein.

Resale of ST products with provisions different from the information set forth herein shall void any warranty granted by ST for such product.

ST and the ST logo are trademarks of ST. For additional information about ST trademarks, please refer to www.st.com/trademarks. All other product or service names are the property of their respective owners.

Information in this document supersedes and replaces information previously supplied in any prior versions of this document.

© 2019 STMicroelectronics – All rights reserved