

# MAIN/CAM LED Controllers with 32-Step Brightness Control in 3mm × 3mm QFN

## FEATURES

- Low Noise Charge Pump Provides High Efficiency with Automatic Mode Switching
- Multimode Operation: 1x, 1.5x, 2x
- Individual Full-Scale Current Set Resistors
- Up to 500mA Total Output Current
- Single Wire EN/Brightness Control for MAIN and CAM LEDs
- 32:1 Linear Brightness Control Range for MAIN Display
- Three or Four 25mA Low Dropout MAIN LED Outputs
- One 400mA Low Dropout CAM LED Output
- Low Noise Constant Frequency Operation\*
- Low Shutdown Current: 3μA
- Internal Soft-Start Limits Inrush Current During Startup and Mode Switching
- Open/Short LED Protection
- No Inductors
- 3mm × 3mm 16-Lead Plastic QFN Package

## APPLICATIONS

- Multi-LED Light Supply for Cellphones/DSCs/PDAs

LT, LT, LTC, LTM, Linear Technology and the Linear logo are registered trademarks of Linear Technology Corporation. All other trademarks are the property of their respective owners. Protected by U.S. Patents including 6411531.

## DESCRIPTION

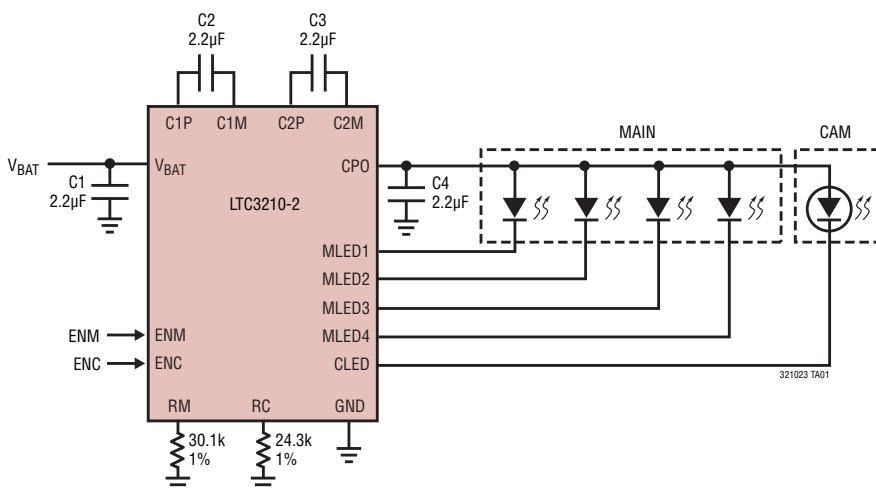
The LTC<sup>®</sup>3210-2/LTC3210-3 are low noise charge pump DC/DC converters designed to drive three or four MAIN LEDs and one high current CAM LED for camera lighting. The LTC3210-2/LTC3210-3 require only four small ceramic capacitors and two current set resistors to form a complete LED power supply and current controller.

Built-in soft-start circuitry prevents excessive inrush current during start-up and mode changes. High switching frequency enables the use of small external capacitors. Independent MAIN and CAM full-scale current settings are programmed by two external resistors.

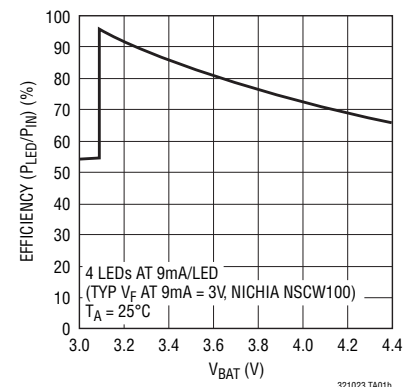
Shutdown mode and current output levels are selected via two logic inputs. ENM and ENC are toggled to adjust the LED currents via internal counters and DACs. A 5-bit linear DAC (32 steps) provides high resolution brightness control for the MAIN display.

The charge pump optimizes efficiency based on the voltage across the LED current sources. The part powers up in 1x mode and will automatically switch to boost mode whenever any enabled LED current source begins to enter dropout. The LTC3210-2/LTC3210-3 are available in a 3mm × 3mm 16-lead QFN package.

## TYPICAL APPLICATION



**4-LED MAIN Display  
Efficiency vs V<sub>BAT</sub> Voltage**



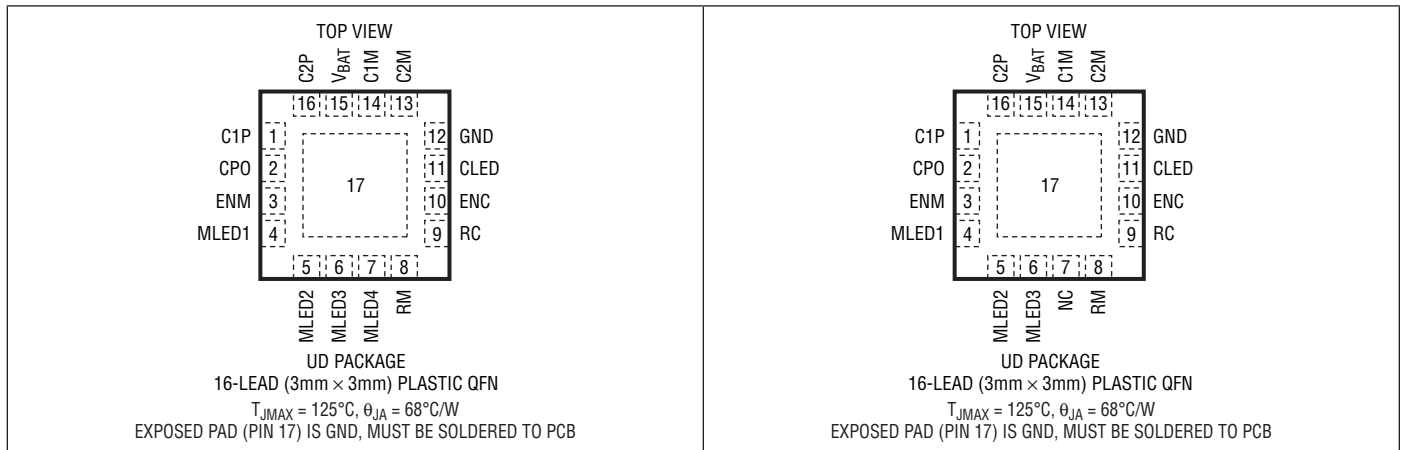
321023fb

# LTC3210-2/LTC3210-3

## ABSOLUTE MAXIMUM RATINGS (Note 1)

$V_{BAT}$ , CPO to GND .....	-0.3V to 6V	$I_{CLED}$ (Note 2).....	500mA
ENM, ENC .....	-0.3V to ( $V_{BAT} + 0.3V$ )	CPO Short-Circuit Duration.....	Indefinite
$I_{CPO}$ (Note 2).....	600mA	Operating Temperature Range (Note 3) ...	-40°C to 85°C
$I_{MLED1-4}$ .....	35mA	Storage Temperature Range .....	-65°C to 125°C

## PIN CONFIGURATION



## ORDER INFORMATION

LEAD FREE FINISH	TAPE AND REEL	PART MARKING	PACKAGE DESCRIPTION	TEMPERATURE RANGE
LTC3210EUD-2#PBF	LTC3210EUD-2#TRPBF	LCHX	16-Lead (3mm × 3mm) Plastic QFN	-40°C to 85°C
LTC3210EUD-3#PBF	LTC3210EUD-3#TRPBF	LCHY	16-Lead (3mm × 3mm) Plastic QFN	-40°C to 85°C

Consult LTC Marketing for parts specified with wider operating temperature ranges.

Consult LTC Marketing for information on non-standard lead based finish parts.

For more information on lead free part marking, go to: <http://www.linear.com/leadfree/>

For more information on tape and reel specifications, go to: <http://www.linear.com/tapeandreeel/>

## ELECTRICAL CHARACTERISTICS

The ● denotes the specifications which apply over the full operating temperature range, otherwise specifications are at  $T_A = 25^\circ\text{C}$ .  $V_{BAT} = 3.6\text{V}$ ,  $C1 = C2 = C3 = C4 = 2.2\mu\text{F}$ ,  $RM = 30.1\text{k}$ ,  $RC = 24.3\text{k}$ , ENM = high, unless otherwise noted.

PARAMETER	CONDITIONS	MIN	TYP	MAX	UNITS
$V_{BAT}$ Operating Voltage		● 2.9		4.5	V
$I_{VBAT}$ Operating Current	$I_{CPO} = 0$ , 1x Mode, LSB Setting		0.4		mA
	$I_{CPO} = 0$ , 1.5x Mode		2.5		mA
	$I_{CPO} = 0$ , 2x Mode		4.5		mA
$V_{BAT}$ Shutdown Current	ENM = ENC = Low	●	3	6	$\mu\text{A}$
<b>MLED1, MLED2, MLED3 and MLED4 (LTC3210-2 Only) Current</b>					
LED Current Ratio ( $I_{MLED}/I_{RM}$ )	$I_{MLED} = \text{Full Scale}$	● 481	525	589	A/A
LED Dropout Voltage	Mode Switch Threshold, $I_{MLED} = \text{Full Scale}$		75		mV
LED Current Matching	Any Two Outputs		0.5		%

321023fb

**ELECTRICAL CHARACTERISTICS** The ● denotes the specifications which apply over the full operating temperature range, otherwise specifications are at  $T_A = 25^\circ\text{C}$ .  $V_{\text{BAT}} = 3.6\text{V}$ ,  $C_1 = C_2 = C_3 = C_4 = 2.2\mu\text{F}$ ,  $R_M = 30.1\text{k}$ ,  $R_C = 24.3\text{k}$ ,  $\text{ENM} = \text{high}$ , unless otherwise noted.

PARAMETER	CONDITIONS	MIN	TYP	MAX	UNITS	
MLED Current, 5-Bit Linear DAC	1 ENM Strobe (FS) 31 ENM Strobes (FS/31)		20 0.640		mA mA	
<b>CLED Current</b>						
LED Current Ratio ( $I_{\text{CLED}}/I_{\text{RC}}$ )	$I_{\text{CLED}} = \text{Full Scale}$	●	6930	7700	8470	A/A
LED Dropout Voltage	Mode Switch Threshold, $I_{\text{CLED}} = \text{Full Scale}$		500			mV
CLED Current, 3-Bit Linear DAC	1 ENC Strobe (FS) 7 ENC Strobes (FS/7)		380 54			mA mA
<b>Charge Pump (CPO)</b>						
1x Mode Output Voltage	$I_{\text{CPO}} = 0\text{mA}$			$V_{\text{BAT}}$		V
1.5x Mode Output Voltage	$I_{\text{CPO}} = 0\text{mA}$		4.55			V
2x Mode Output Voltage	$I_{\text{CPO}} = 0\text{mA}$		5.05			V
1x Mode Output Impedance			0.55			$\Omega$
1.5x Mode Output Impedance	$V_{\text{BAT}} = 3.4\text{V}$ , $V_{\text{CPO}} = 4.6\text{V}$ (Note 4)		3.15			$\Omega$
2x Mode Output Impedance	$V_{\text{BAT}} = 3.2\text{V}$ , $V_{\text{CPO}} = 5.1\text{V}$ (Note 4)		3.95			$\Omega$
CLOCK Frequency			0.8			MHz
Mode Switching Delay			0.4			ms
<b>CPO Short Circuit Detection</b>						
Threshold Voltage		●	0.4		1.3	V
Test Current	CPO = 0V, ENM = ENC = Low	●	10		30	mA
<b>ENC, ENM</b>						
$V_{\text{IL}}$		●			0.4	V
$V_{\text{IH}}$		●	1.4			V
$I_{\text{IH}}$	ENM = ENC = 3.6V	●	10	15	20	$\mu\text{A}$
$I_{\text{IL}}$	ENM = ENC = 0V	●	-1		1	$\mu\text{A}$
<b>ENC, ENM Timing</b>						
$t_{\text{PW}}$	Minimum Pulse Width	●	200			ns
$t_{\text{SD}}$	Low Time to Shutdown (ENC, ENM = Low)	●	50	150	250	$\mu\text{s}$
$t_{\text{EN}}$	Current Source Enable Time (ENC, ENM = High) (Note 5)	●	50	150	250	$\mu\text{s}$
<b>RM, RC</b>						
$V_{\text{RM}}$ , $V_{\text{RC}}$		●	1.16	1.20	1.24	V
$I_{\text{RM}}$ , $I_{\text{RC}}$		●			80	$\mu\text{A}$

**Note 1:** Stresses beyond those listed under Absolute Maximum Ratings may cause permanent damage to the device. Exposure to any Absolute Maximum Rating condition for extended periods may affect device reliability and lifetime.

**Note 2:** Based on long-term current density limitations. Assumes an operating duty cycle of  $\leq 10\%$  under absolute maximum conditions for durations less than 10 seconds. Maximum current for continuous operation is 300mA.

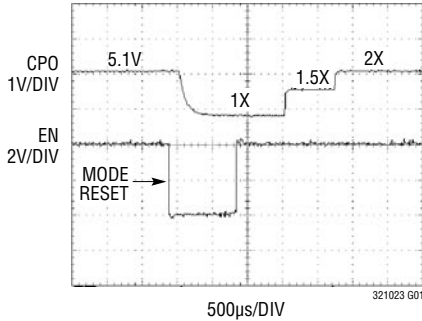
**Note 3:** The LTC3210E-2/LTC3210E-3 are guaranteed to meet performance specifications from  $0^\circ\text{C}$  to  $85^\circ\text{C}$ . Specifications over the  $-40^\circ\text{C}$  to  $85^\circ\text{C}$  operating temperature range are assured by design, characterization and correlation with statistical process controls.

**Note 4:** 1.5x mode output impedance is defined as  $(1.5V_{\text{BAT}} - V_{\text{CPO}})/I_{\text{OUT}}$ . 2x mode output impedance is defined as  $(2V_{\text{BAT}} - V_{\text{CPO}})/I_{\text{OUT}}$ .

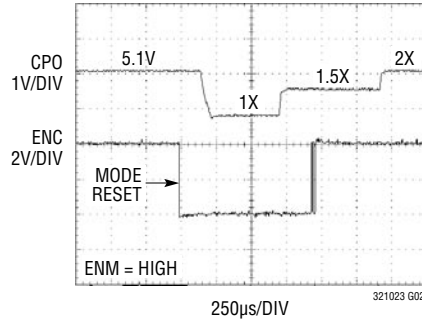
**Note 5:** If the part has been shut down then the initial enable time is about  $100\mu\text{s}$  longer due to the bandgap enable time.

## TYPICAL PERFORMANCE CHARACTERISTICS $T_A = 25^\circ\text{C}$ unless otherwise stated.

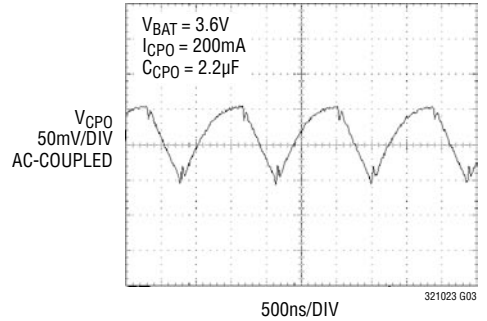
### Dropout Time from Shutdown



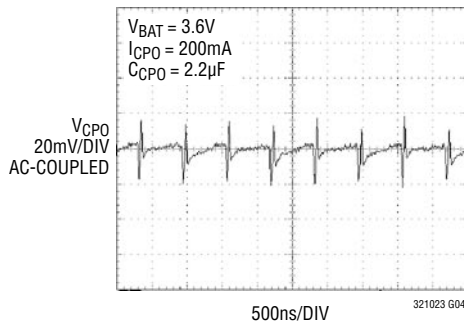
### Dropout Time When Enabled



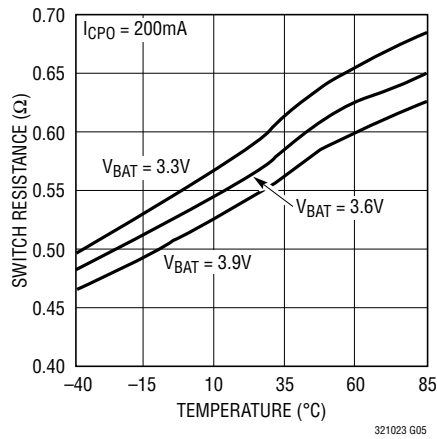
### 1.5x CPO Ripple



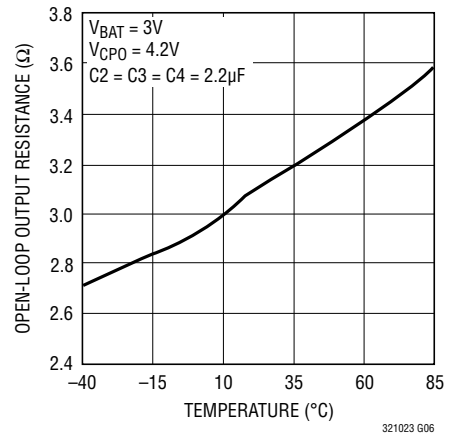
### 2x CPO Ripple



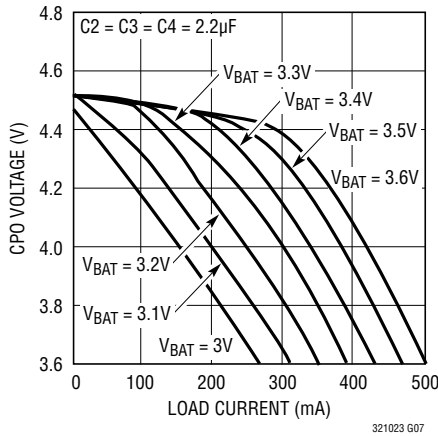
### 1x Mode Switch Resistance vs Temperature



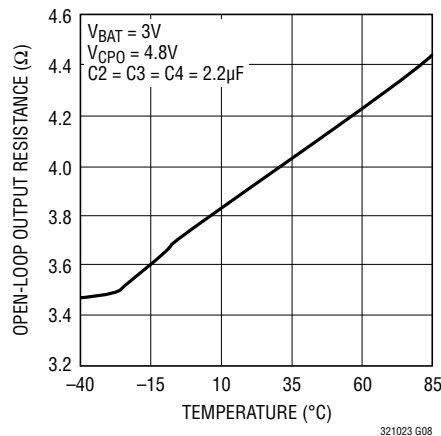
### 1.5x Mode Charge Pump Open-Loop Output Resistance vs Temperature $(1.5V_{BAT} - V_{CPO})/I_{CPO}$



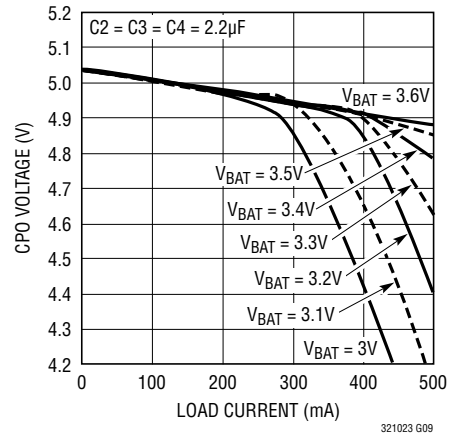
### 1.5x Mode CPO Voltage vs Load Current



### 2x Mode Charge Pump Open-Loop Output Resistance vs Temperature $(2V_{BAT} - V_{CPO})/I_{CPO}$

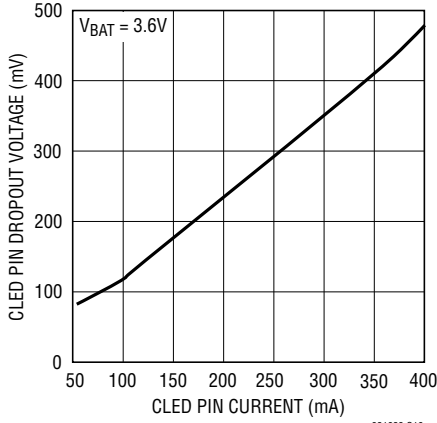


### 2x Mode CPO Voltage vs Load Current

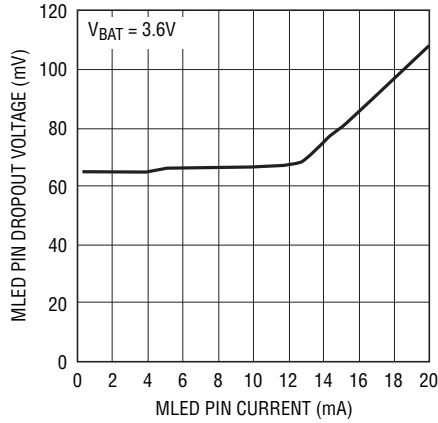


**TYPICAL PERFORMANCE CHARACTERISTICS**  $T_A = 25^\circ\text{C}$  unless otherwise stated.

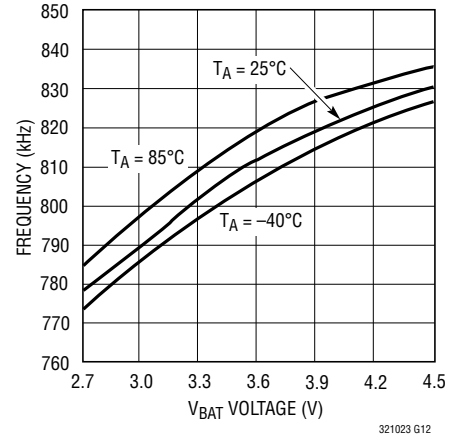
**CLED Pin Dropout Voltage vs CLED Pin Current**



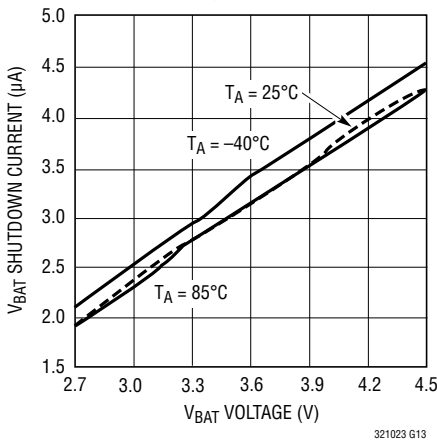
**MLED Pin Dropout Voltage vs MLED Pin Current**



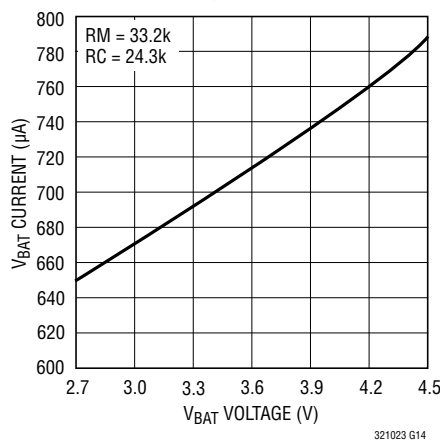
**Oscillator Frequency vs VBAT Voltage**



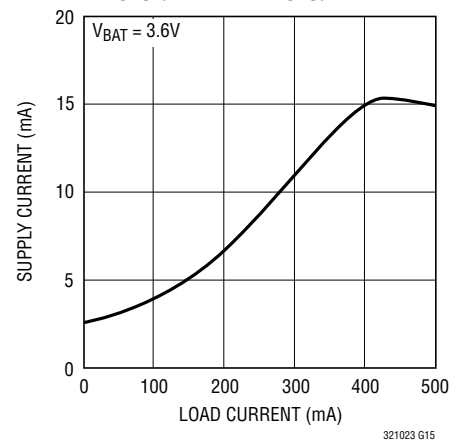
**VBAT Shutdown Current vs VBAT Voltage**



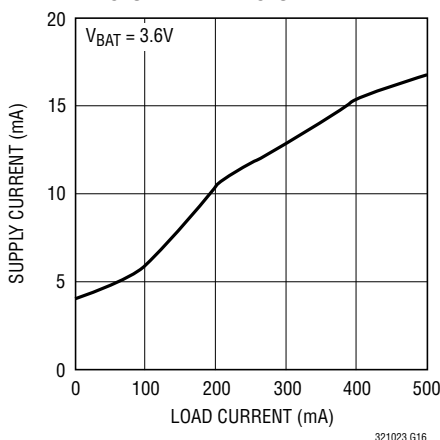
**1x Mode No Load VBAT Current vs VBAT Voltage**



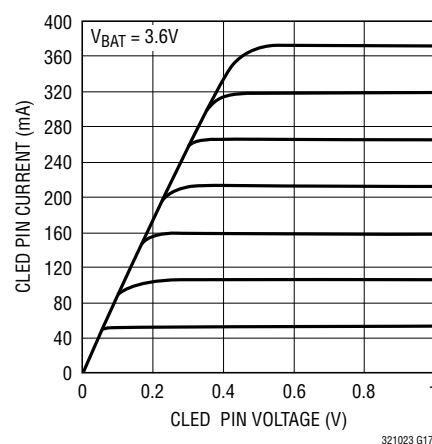
**1.5x Mode Supply Current vs ICPO (IVBAT - 1.5ICPO)**



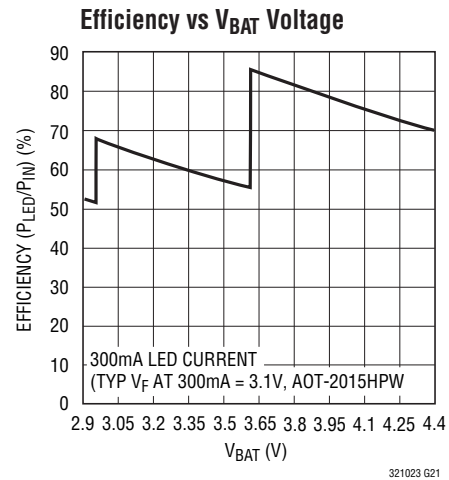
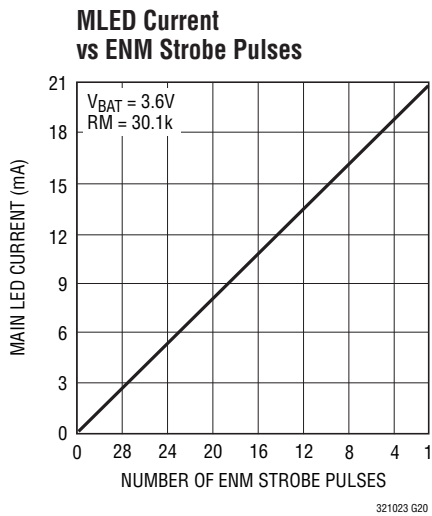
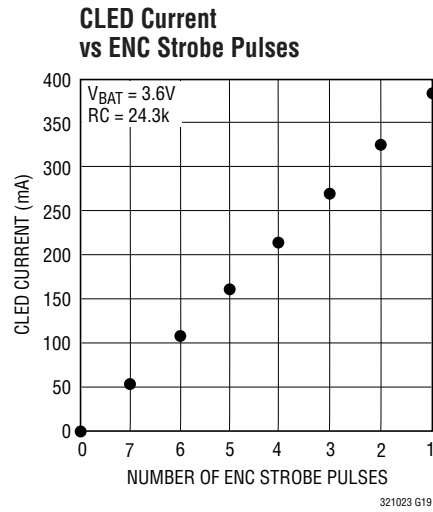
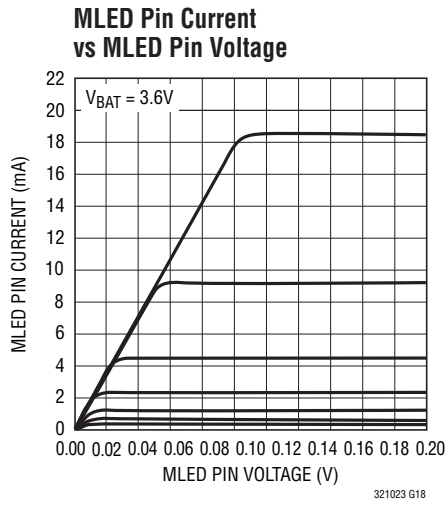
**2x Mode Supply Current vs ICPO (IVBAT - 2ICPO)**



**CLED Pin Current vs CLED Pin Voltage**



## TYPICAL PERFORMANCE CHARACTERISTICS $T_A = 25^\circ\text{C}$ unless otherwise stated.



## PIN FUNCTIONS

**C1P, C2P, C1M, C2M (Pins 1, 16, 14, 13):** Charge Pump Flying Capacitor Pins. A 2.2 $\mu$ F X7R or X5R ceramic capacitor should be connected from C1P to C1M and C2P to C2M.

**CPO (Pin 2):** Output of the Charge Pump Used to Power All LEDs. This pin is enabled or disabled using the ENM and ENC inputs. A 2.2 $\mu$ F X5R or X7R ceramic capacitor should be connected to ground.

**ENM, ENC (Pins 3, 10):** Inputs. The ENM and ENC pins are used to program the LED output currents. The ENC pin is strobed up to 7 times to decrement the internal 3-bit DAC's from full-scale to 1LSB. The ENM pin is strobed 31 times to decrement the 5-bit DAC from full-scale to 1LSB. The counters will stop at 1LSB if the strobing continues. The pin must be held high after the final desired positive strobe edge and the data is transferred after a 150 $\mu$ s (typ) delay. Holding the ENM or ENC pin low will clear the counter for the selected display and reset the LED current to 0. If both inputs are held low for longer than 150 $\mu$ s (typ) the part will go into shutdown. The charge pump mode is reset to 1x whenever ENC goes low or when the part is shut down.

**MLED1, MLED2, MLED3 (Pins 4, 5, 6):** Outputs. MLED1 to MLED3 are the MAIN current source outputs. The LEDs are connected between CPO (anodes) and MLED1-3 (cathodes). The current to each LED output is set via the ENM input, and the programming resistor connected between RM and GND.

**MLED4 (Pin 7, LTC3210-2 Only):** Output. MLED4 is the fourth main current source output available only on the LTC3210-2 product. The LED is connected between CPO (anode) and MLED4 (cathode). The current to MLED4 is set via the ENM input and the programming resistor connected between RM and GND. MLED4 tracks the LED currents of MLED1-3.

**NC (Pin 7, LTC3210-3 Only):** This pin is not connected and can be left floating or connected to ground.

**RM, RC (Pins 8,9):** LED Current Programming Resistor Pins. The RM and RC pins will servo to 1.22V. Resistors connected between each of these pins and GND are used to set the high and low LED current levels. Connecting a resistor 15k or less will cause the LTC3210-2/LTC3210-3 to enter overcurrent shutdown.

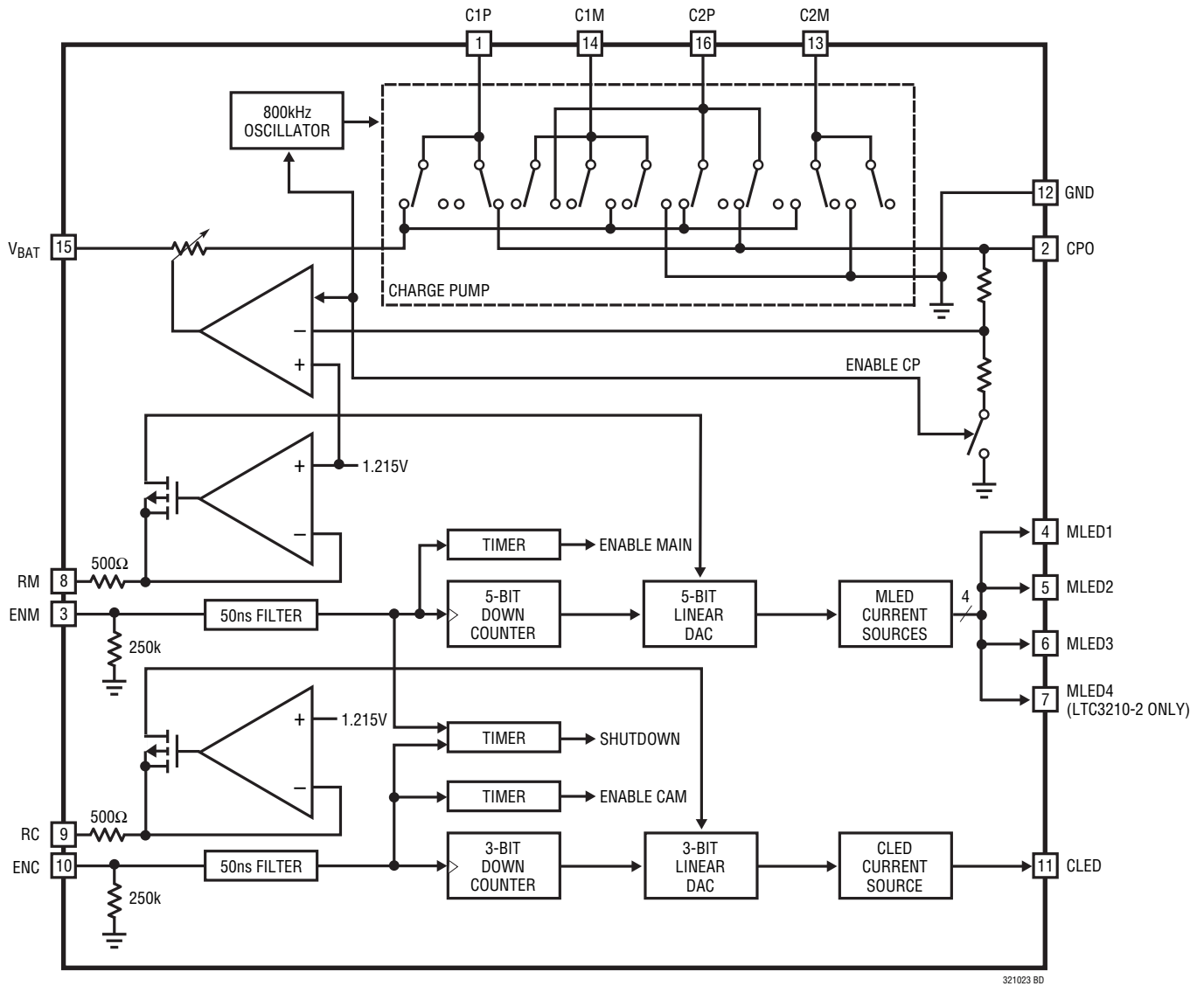
**CLED (Pin 11):** Output. CLED is the CAM current source output. The LED is connected between CPO (anode) and CLED (cathode). The current to the LED output is set via the ENC input, and the programming resistor connected between RC and GND.

**GND (Pin 12):** Ground. This pin should be connected to a low impedance ground plane.

**V<sub>BAT</sub> (Pin 15):** Supply voltage. This pin should be bypassed with a 2.2 $\mu$ F, or greater low ESR ceramic capacitor.

**Exposed Pad (Pin 17):** This pad should be connected directly to a low impedance ground plane for optimal thermal and electrical performance.

## BLOCK DIAGRAM





## OPERATION

### Power Management

The LTC3210-2/LTC3210-3 uses a switched capacitor charge pump to boost CPO to as much as 2 times the input voltage up to 5.1V. The part starts up in 1x mode. In this mode,  $V_{BAT}$  is connected directly to CPO. This mode provides maximum efficiency and minimum noise. The LTC3210-2/LTC3210-3 will remain in 1x mode until an LED current source drops out. Dropout occurs when a current source voltage becomes too low for the programmed current to be supplied. When dropout is detected, the LTC3210-2/LTC3210-3 will switch into 1.5x mode. The CPO voltage will then start to increase and will attempt to reach  $1.5 \times V_{BAT}$  up to 4.6V. Any subsequent dropout will cause the part to enter the 2x mode. The CPO voltage will attempt to reach  $2 \times V_{BAT}$  up to 5.1V. The part will be reset to 1x mode whenever the part is shut down or when ENC goes low.

A two phase nonoverlapping clock activates the charge pump switches. In the 2x mode the flying capacitors are charged on alternate clock phases from  $V_{BAT}$  to minimize input current ripple and CPO voltage ripple. In 1.5x mode the flying capacitors are charged in series during the first clock phase and stacked in parallel on  $V_{BAT}$  during the second phase. This sequence of charging and discharging the flying capacitors continues at a constant frequency of 800kHz.

### LED Current Control

The MLED currents are delivered by the four programmable current sources. 32 linear current settings (0mA to 20mA,  $R_M = 30.1k$ ) are available by strobing the ENM pin. Each positive strobe edge decrements a 5-bit down

counter which controls a 5-bit linear DAC. When the desired current is achieved ENM is stopped high. The output current then changes to the programmed value after  $150\mu s$  (typ). The counter will stop when the LSB is reached. The output current is set to 0 when ENM is toggled low after the output has been enabled. If strobing is started within  $150\mu s$  (typ), after ENM has been set low, the counter will continue to count down. After  $150\mu s$  (typ) the counter is reset.

The CLED current is delivered by a programmable current source. Eight linear current settings (0mA to 380mA,  $R_C = 24.3k$ ) are available by strobing the ENC pin. Each positive strobe edge decrements a 3-bit down counter which controls a 3-bit linear DAC. When the desired current is reached, ENC is stopped high. The output current then changes to the programmed value after  $150\mu s$  (typ). The counter will stop when the LSB is reached. The output current is set to 0 when ENC is toggled low after the output has been enabled. If strobing is started within  $150\mu s$  (typ) after ENC has been set low, the counter will continue to count down. After  $150\mu s$  (typ) the counter is reset.

The full-scale output current is calculated as follows:

$$\begin{aligned} \text{MLED full-scale output current} \\ = (1.215V / (R_M + 500)) \cdot 525 \end{aligned}$$

$$\begin{aligned} \text{CLED full-scale output current} \\ = (1.215V / (R_C + 500)) \cdot 7700 \end{aligned}$$

When both ENM and ENC are held low for more than  $150\mu s$  (typ) the part will go into shutdown. See Figure 1 for timing information.

ENC resets the mode to 1x on a falling edge.

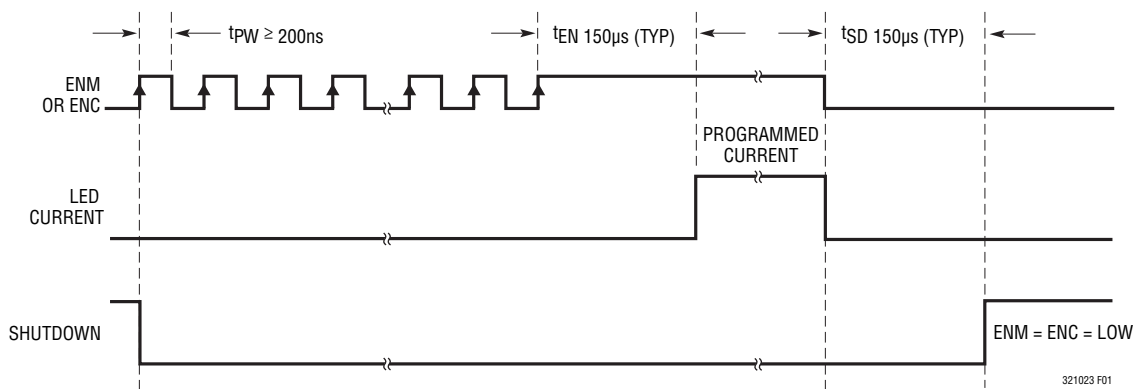


Figure 1. Current Programming Timing Diagram

## OPERATION

### Soft-Start

Initially, when the part is in shutdown, a weak switch connects  $V_{BAT}$  to CPO. This allows  $V_{BAT}$  to slowly charge the CPO output capacitor to prevent large charging currents.

The LTC3210-2/LTC3210-3 also employ a soft-start feature on its charge pump to prevent excessive inrush current and supply droop when switching into the step-up modes. The current available to the CPO pin is increased linearly over a typical period of 150 $\mu$ s. Soft-start occurs at the start of both 1.5x and 2x mode changes.

### Charge Pump Strength and Regulation

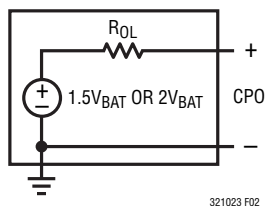
Regulation is achieved by sensing the voltage at the CPO pin and modulating the charge pump strength based on the error signal. The CPO regulation voltages are set internally, and are dependent on the charge pump modes as shown in Table 1.

**Table 1. Charge Pump Output Regulation Voltages**

CHARGE PUMP MODE	REGULATED $V_{CPO}$
1.5x	4.55V
2x	5.05V

When the LTC3210-2/LTC3210-3 operate in either 1.5x mode or 2x mode, the charge pump can be modeled as a Thevenin-equivalent circuit to determine the amount of current available from the effective input voltage and effective open-loop output resistance,  $R_{OL}$  (Figure 2).

$R_{OL}$  is dependent on a number of factors including the switching term,  $1/(2f_{OSC} \cdot C_{FLY})$ , internal switch resistances and the nonoverlap period of the switching circuit. However, for a given  $R_{OL}$ , the amount of current available will be directly proportional to the advantage voltage of  $1.5V_{BAT} - CPO$  for 1.5x mode and  $2V_{BAT} - CPO$  for 2x



321023 F02

**Figure 2. Charge Pump Thevenin Equivalent Open-Loop Circuit**

mode. Consider the example of driving white LEDs from a 3.1V supply. If the LED forward voltage is 3.8V and the current sources require 100mV, the advantage voltage for 1.5x mode is  $3.1V \cdot 1.5 - 3.8V - 0.1V$  or 750mV. Notice that if the input voltage is raised to 3.2V, the advantage voltage jumps to 900mV—a 20% improvement in available strength.

From Figure 2, for 1.5x mode the available current is given by:

$$I_{OUT} = \frac{(1.5V_{BAT} - V_{CPO})}{R_{OL}}$$

For 2x mode, the available current is given by:

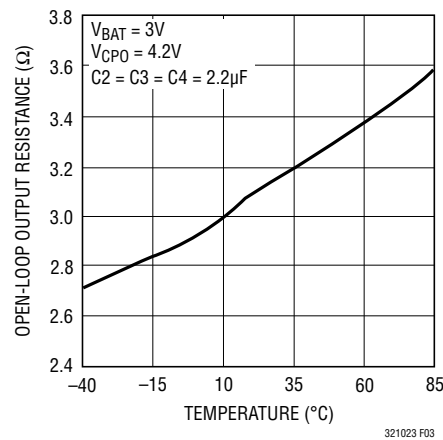
$$I_{OUT} = \frac{(2V_{BAT} - V_{CPO})}{R_{OL}}$$

Notice that the advantage voltage in this case is  $3.1V \cdot 2 - 3.8V - 0.1V = 2.3V$ .  $R_{OL}$  is higher in 2x mode but a significant overall increase in available current is achieved.

Typical values of  $R_{OL}$  as a function of temperature are shown in Figure 3 and Figure 4.

### Shutdown Current

In shutdown mode all the circuitry is turned off and the LTC3210-2/LTC3210-3 draw a very low current from the  $V_{BAT}$  supply. Furthermore, CPO is weakly connected to  $V_{BAT}$ . The LTC3210-2/LTC3210-3 enter shutdown mode when both the ENM and ENC pins are brought low at 150 $\mu$ s (typ). ENM



321023 F03

**Figure 3. Typical 1.5x  $R_{OL}$  vs Temperature**

## OPERATION

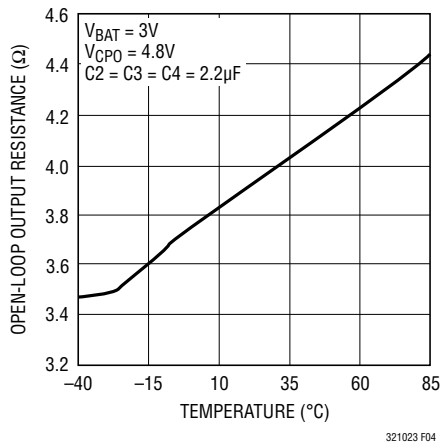


Figure 4. Typical 2x R<sub>OL</sub> vs Temperature

and ENC have 250k internal pull down resistors to define the shutdown state when the drivers are in a high impedance state.

### Thermal Protection

The LTC3210-2/LTC3210-3 have built-in overtemperature protection. At internal die temperatures of around 150°C

thermal shut down will occur. This will disable all of the current sources and charge pump until the die has cooled by about 15°C. This thermal cycling will continue until the fault has been corrected.

### Mode Switching

The LTC3210-2/LTC3210-3 will automatically switch from 1x mode to 1.5x mode and subsequently to 2x mode whenever a dropout condition is detected at an LED pin. Dropout occurs when a current source voltage becomes too low for the programmed current to be supplied. The time from drop-out detection to mode switching is typically 0.4ms.

The part is reset back to 1x mode when the part is shut down (ENM = ENC = Low) or on the falling edge of ENC. An internal comparator will not allow the main switches to connect V<sub>BAT</sub> and CPO in 1x mode until the voltage at the CPO pin has decayed to less than or equal to the voltage at the V<sub>BAT</sub> pin.

## APPLICATIONS INFORMATION

### V<sub>BAT</sub>, CPO Capacitor Selection

The style and value of the capacitors used with the LTC3210-2/LTC3210-3 determine several important parameters such as regulator control loop stability, output ripple, charge pump strength and minimum start-up time.

To reduce noise and ripple, it is recommended that low equivalent series resistance (ESR) ceramic capacitors are used for both CV<sub>BAT</sub> and C<sub>CPO</sub>. Tantalum and aluminum capacitors are not recommended due to high ESR.

The value of C<sub>CPO</sub> directly controls the amount of output ripple for a given load current. Increasing the size of C<sub>CPO</sub> will reduce output ripple at the expense of higher start-up current. The peak-to-peak output ripple of the 1.5x mode is approximately given by the expression:

$$V_{\text{RIPPLE(P-P)}} = \frac{I_{\text{OUT}}}{(3f_{\text{OSC}} \cdot C_{\text{CPO}})} \quad (3)$$

where f<sub>OSC</sub> is the LTC3210-2/LTC3210-3 oscillator frequency or typically 800kHz and C<sub>CPO</sub> is the output storage capacitor.

The output ripple in 2x mode is very small due to the fact that load current is supplied on both cycles of the clock.

Both style and value of the output capacitor can significantly affect the stability of the LTC3210-2/LTC3210-3. As shown in the Block Diagram, the LTC3210-2/LTC3210-3 use a control loop to adjust the strength of the charge pump to match the required output current. The error signal of the loop is stored directly on the output capacitor. The output capacitor also serves as the dominant pole for the control loop. To prevent ringing or instability, it is important for the output capacitor to maintain at least 1.3μF of capacitance over all conditions.

In addition, excessive output capacitor ESR >100mΩ will tend to degrade the loop stability. Multilayer ceramic chip capacitors typically have exceptional ESR performance and

## APPLICATIONS INFORMATION

when combined with a tight board layout will result in very good stability. As the value of  $C_{CPO}$  controls the amount of output ripple, the value of  $C_{VBAT}$  controls the amount of ripple present at the input pin ( $V_{BAT}$ ). The LTC3210-2/LTC3210-3's input current will be relatively constant while the charge pump is either in the input charging phase or the output charging phase but will drop to zero during the clock nonoverlap times. Since the nonoverlap time is small (~35ns), these missing "notches" will result in only a small perturbation on the input power supply line. Note that a higher ESR capacitor such as tantalum will have higher input noise due to the higher ESR. Therefore, ceramic capacitors are recommended for low ESR. Input noise can be further reduced by powering the LTC3210-2/LTC3210-3 through a very small series inductor as shown in Figure 5. A 10nH inductor will reject the fast current notches, thereby presenting a nearly constant current load to the input power supply. For economy, the 10nH inductor can be fabricated on the PC board with about 1cm (0.4") of PC board trace.

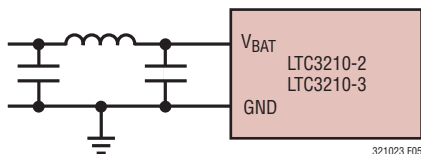


Figure 5. 10nH Inductor Used for Input Noise Reduction (Approximately 1cm of Board Trace)

### Flying Capacitor Selection

**Warning: Polarized capacitors such as tantalum or aluminum should never be used for the flying capacitors since their voltage can reverse upon start-up of the LTC3210-2/LTC3210-3. Ceramic capacitors should always be used for the flying capacitors.**

The flying capacitors control the strength of the charge pump. In order to achieve the rated output current it is necessary to have at least 1.6 $\mu$ F of capacitance for each of the flying capacitors. Capacitors of different materials lose their capacitance with higher temperature and voltage at different rates. For example, a ceramic capacitor made of X7R material will retain most of its capacitance from -40°C to 85°C whereas a Z5U or Y5V style capacitor will

lose considerable capacitance over that range. Capacitors may also have a very poor voltage coefficient causing them to lose 60% or more of their capacitance when the rated voltage is applied. Therefore, when comparing different capacitors, it is often more appropriate to compare the amount of achievable capacitance for a given case size rather than comparing the specified capacitance value. For example, over rated voltage and temperature conditions, a 1 $\mu$ F, 10V, Y5V ceramic capacitor in a 0603 case may not provide any more capacitance than a 0.22 $\mu$ F, 10V, X7R available in the same case. The capacitor manufacturer's data sheet should be consulted to determine what value of capacitor is needed to ensure minimum capacitances at all temperatures and voltages.

Table 2 shows a list of ceramic capacitor manufacturers and how to contact them:

Table 2. Recommended Capacitor Vendors

AVX	<a href="http://www.avxcorp.com">www.avxcorp.com</a>
Kemet	<a href="http://www.kemet.com">www.kemet.com</a>
Murata	<a href="http://www.murata.com">www.murata.com</a>
Taiyo Yuden	<a href="http://www.t-yuden.com">www.t-yuden.com</a>
Vishay	<a href="http://www.vishay.com">www.vishay.com</a>

### Layout Considerations and Noise

Due to the high switching frequency and the transient currents produced by the LTC3210-2/LTC3210-3, careful board layout is necessary. A true ground plane and short connections to all capacitors will improve performance and ensure proper regulation under all conditions.

The flying capacitor pins C1P, C2P, C1M and C2M will have high edge rate waveforms. The large  $dv/dt$  on these pins can couple energy capacitively to adjacent PCB runs. Magnetic fields can also be generated if the flying capacitors are not close to the LTC3210-2/LTC3210-3 (i.e., the loop area is large). To decouple capacitive energy transfer, a Faraday shield may be used. This is a grounded PCB trace between the sensitive node and the LTC3210-2/LTC3210-3 pins. For a high quality AC ground, it should be returned to a solid ground plane that extends all the way to the LTC3210-2/LTC3210-3.

## APPLICATIONS INFORMATION

The following guidelines should be followed when designing a PCB layout for the LTC3210-2/LTC3210-3:

- The Exposed Pad should be soldered to a large copper plane that is connected to a solid, low impedance ground plane using plated through-hole vias for proper heat sinking and noise protection.
- Input and output capacitors must be placed close to the part.
- The flying capacitors must be placed close to the part. The traces from the pins to the capacitor pad should be as wide as possible.
- $V_{BAT}$ , CPO traces must be wide to minimize inductance and handle high currents.
- LED pads must be large and connected to other layers of metal to ensure proper heat sinking.
- RM and RC pins are sensitive to noise and capacitance. The resistors should be placed near the part with minimum line width.

### Power Efficiency

To calculate the power efficiency ( $\eta$ ) of a white LED driver chip, the LED power should be compared to the input power. The difference between these two numbers represents lost power whether it is in the charge pump or the current sources. Stated mathematically, the power efficiency is given by:

$$\eta = \frac{P_{LED}}{P_{IN}}$$

The efficiency of the LTC3210-2/LTC3210-3 depends upon the mode in which it is operating. Recall that the LTC3210-2/LTC3210-3 operates as a pass switch, connecting  $V_{BAT}$  to CPO, until dropout is detected at the LED pin. This feature provides the optimum efficiency available for a given input voltage and LED forward voltage. When it is operating as a switch, the efficiency is approximated by:

$$\eta = \frac{P_{LED}}{P_{IN}} = \frac{(V_{LED} \cdot I_{LED})}{(V_{BAT} \cdot I_{BAT})} = \frac{V_{LED}}{V_{BAT}}$$

since the input current will be very close to the sum of the LED currents.

At moderate to high output power, the quiescent current of the LTC3210-2/LTC3210-3 is negligible and the expression above is valid.

Once dropout is detected at any LED pin, the LTC3210-2/LTC3210-3 enable the charge pump in 1.5x mode.

In 1.5x boost mode, the efficiency is similar to that of a linear regulator with an effective input voltage of 1.5 times the actual input voltage. This is because the input current for a 1.5x charge pump is approximately 1.5 times the load current. In an ideal 1.5x charge pump, the power efficiency would be given by:

$$\eta_{IDEAL} = \frac{P_{LED}}{P_{IN}} = \frac{(V_{LED} \cdot I_{LED})}{(V_{BAT} \cdot (1.5) \cdot I_{LED})} = \frac{V_{LED}}{(1.5 \cdot V_{BAT})}$$

Similarly, in 2x boost mode, the efficiency is similar to that of a linear regulator with an effective input voltage of 2 times the actual input voltage. In an ideal 2x charge pump, the power efficiency would be given by:

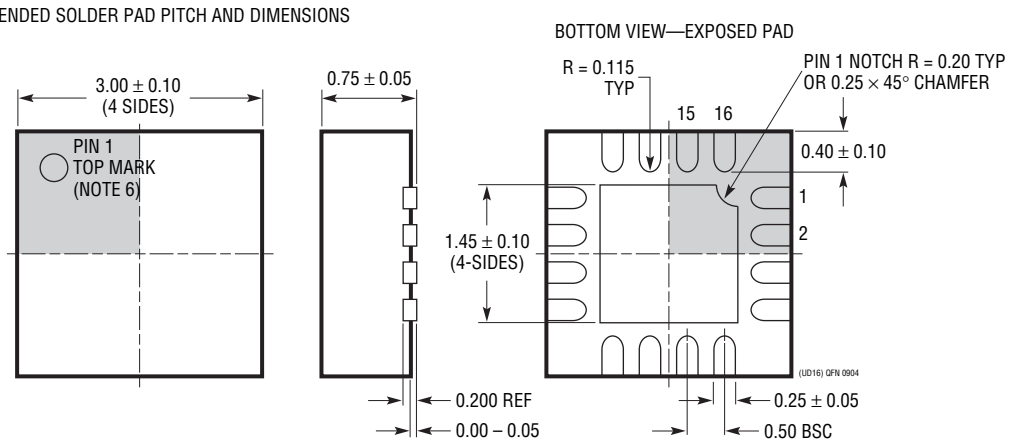
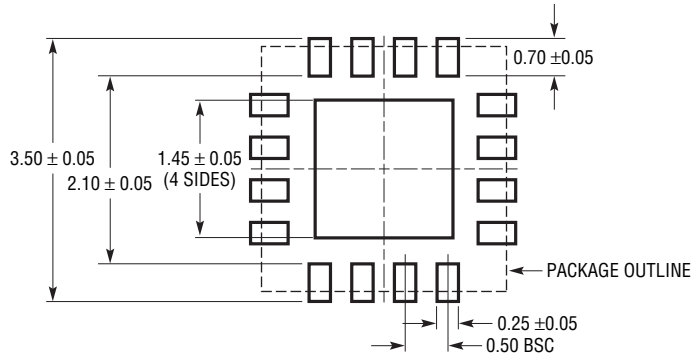
$$\eta_{IDEAL} = \frac{P_{LED}}{P_{IN}} = \frac{(V_{LED} \cdot I_{LED})}{(V_{BAT} \cdot (2) \cdot I_{LED})} = \frac{V_{LED}}{(2 \cdot V_{BAT})}$$

### Thermal Management

For higher input voltages and maximum output current, there can be substantial power dissipation in the LTC3210-2/LTC3210-3. If the junction temperature increases above approximately 150°C the thermal shut down circuitry will automatically deactivate the output current sources and charge pump. To reduce maximum junction temperature, a good thermal connection to the PC board is recommended. Connecting the Exposed Pad to a ground plane and maintaining a solid ground plane under the device will reduce the thermal resistance of the package and PC board considerably.

## PACKAGE DESCRIPTION

### UD Package 16-Lead Plastic QFN (3mm × 3mm) (Reference LTC DWG # 05-08-1691)



**REVISION HISTORY** (Revision history begins at Rev B)

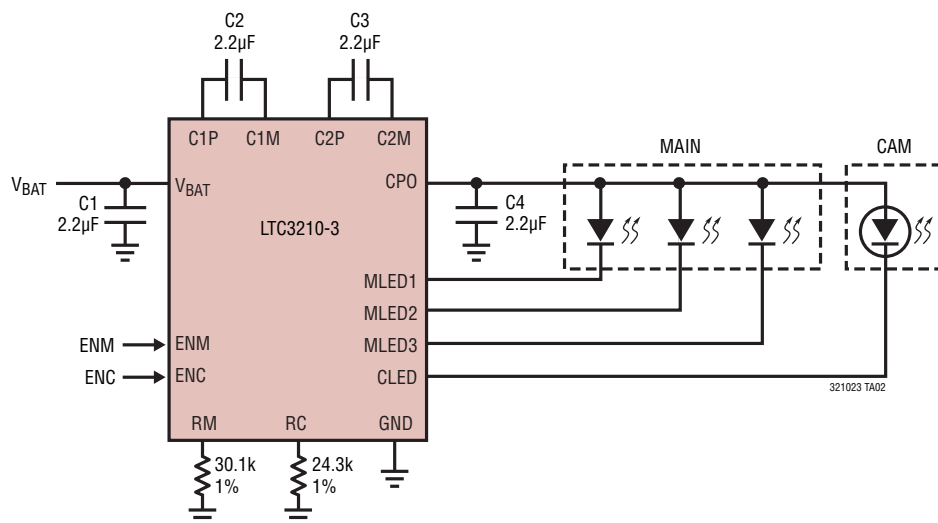
REV	DATE	DESCRIPTION	PAGE NUMBER
B	6/10	Update to Note 3	3



# LTC3210-2/LTC3210-3

## TYPICAL APPLICATION

### 3-LED MAIN, One LED Camera



## RELATED PARTS

PART NUMBER	DESCRIPTION	COMMENTS
LT1618	Constant Current, 1.4MHz, 1.5A Boost Converter	$V_{IN}$ : 1.6V to 18V, $V_{OUT(MAX)}$ = 36V, $I_Q$ = 1.8mA, $I_{SD}$ < 1µA, MS Package
LTC3205	250mA, 1MHz, Multi-Display LED Controller	$V_{IN}$ : 2.8V to 4.5V, $V_{OUT(MAX)}$ = 5.5V, $I_Q$ = 50µA, $I_{SD}$ < 1µA, QFN Package
LTC3206	400mA, 800kHz, Multi-Display LED Controller	$V_{IN}$ : 2.8V to 4.5V, $V_{OUT(MAX)}$ = 5.5V, $I_Q$ = 50µA, $I_{SD}$ < 1µA, QFN Package
LTC3208	High Current Software Configurable Multi-Display LED Controller	$V_{IN}$ : 2.9V to 4.5V, $V_{OUT(MAX)}$ = 5.5V, $I_Q$ = 250µA, $I_{SD}$ < 3µA, 17 Current Sources (MAIN, SUB, RGB, CAM, AUX), 5mm × 5mm QFN Package
LTC3209-1/ LTC3209-2	600mA MAIN/Camera/AUX LED Controller	$V_{IN}$ : 2.9V to 4.5V, $I_Q$ = 400mA, Up to 94% Efficiency, 4mm × 4mm QFN-20 Package
LTC3210	MAIN/CAM LED Controller in 3mm × 3mm QFN	$V_{IN}$ : 2.9V to 4.5V, $I_Q$ = 400µA, 3-Bit DAC Brightness Control for MAIN and CAM LEDs, 3mm × 3mm QFN Package
LTC3210-1	MAIN/CAM LED Controller with 64-Step Brightness Control	6-Bit DAC Brightness Control for MAIN and 3-Bit Brightness Control for CAM, 3mm × 3mm QFN Package
LTC3214	500mA Camera LED Charge Pump	$V_{IN}$ : 2.9V to 4.5V, Single Output, 3mm × 3mm DFN Package
LTC3215	700mA Low Noise High Current LED Charge Pump	$V_{IN}$ : 2.9V to 4.4V, $V_{OUT(MAX)}$ = 5.5V, $I_Q$ = 300µA, $I_{SD}$ < 2.5µA, DFN Package
LTC3216	1A Low Noise High Current LED Charge Pump with Independent Flash/Torch Current Control	$V_{IN}$ : 2.9V to 4.4V, $V_{OUT(MAX)}$ = 5.5V, $I_Q$ = 300µA, $I_{SD}$ < 2.5µA, DFN Package
LTC3217	600mA Low Noise Multi-LED Camera Light	$V_{IN}$ : 2.9V to 4.4V, $I_Q$ = 400µA, Four 100mA Outputs, QFN Package
LTC3440/LTC3441	600mA/1.2A $I_{OUT}$ , 2MHz/1MHz, Synchronous Buck-Boost DC/DC Converter	$V_{IN}$ : 2.4V to 5.5V, $V_{OUT(MAX)}$ = 5.25V, $I_Q$ = 25µA/50µA, $I_{SD}$ < 1µA, MS/DFN Packages
LTC3443	600mA/1.2A $I_{OUT}$ , 600kHz, Synchronous Buck-Boost DC/DC Converter	$V_{IN}$ : 2.4V to 5.5V, $V_{OUT(MAX)}$ = 5.25V, $I_Q$ = 28µA, $I_{SD}$ < 1µA, DFN Package
LTC3453	1MHz, 800mA Synchronous Buck-Boost High Power LED Driver	$V_{IN(MIN)}$ : 2.7V to 5.5V, $V_{IN(MAX)}$ : 2.7V to 4.5V, $I_Q$ = 2.5mA, $I_{SD}$ < 6µA, QFN Package
LT3467/LT3467A	1.1A ( $I_{SW}$ ), 1.3/2.1MHz, High Efficiency Step-Up DC/DC Converters with Integrated Soft-Start	$V_{IN}$ : 2.4V to 16V, $V_{OUT(MAX)}$ = 40V, $I_Q$ = 1.2mA, $I_{SD}$ < 1µA, ThinSOT Package
LT3479	3A, 42V, 3.5MHz Boost Converter	$V_{IN}$ : 2.5V to 24V, $V_{OUT(MAX)}$ = 40V, $I_Q$ = 2µA, $I_{SD}$ < 1µA DFN, TSSOP Packages

321023fb