

Item Number HSR-981F Series Contact Form A Switch Configuration SPST Rev. D

### Form A High Voltage Switch for RF

Features	Advantages
<ul style="list-style-type: none"> <li>• Vacuum sealed Rhodium contacts</li> <li>• Materials are Lead free and RoHS compliant</li> <li>• Voltage Hold-Off determined at 2µA Max leakage current</li> <li>• Durable construction</li> </ul>	<ul style="list-style-type: none"> <li>• Extended operations in extreme environments</li> <li>• Not ESD sensitive</li> <li>• Insertion loss &lt; 0.01dB up to 30MHz</li> <li>• RF Isolation &gt; 50dB up to 30MHz</li> <li>• Q measurement at least 60% of pure Copper wire</li> </ul>

### Electrical Specifications

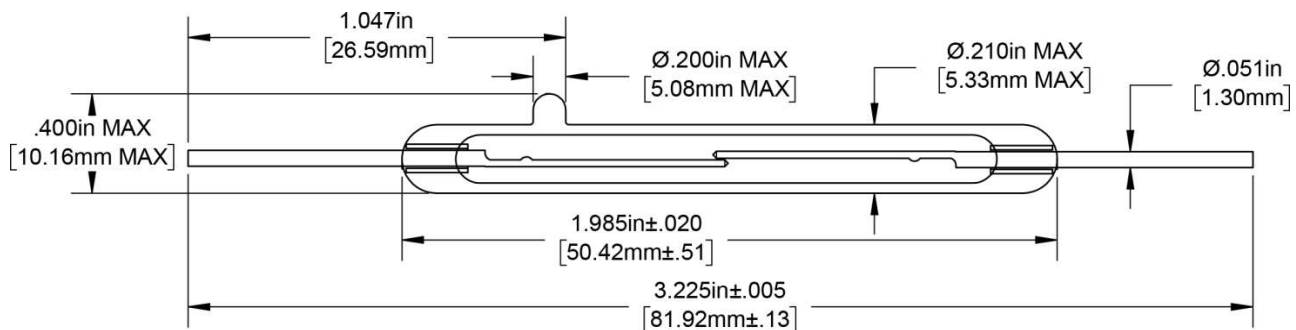
Power		Watts - maximum	25
Voltage	Switching	VDC - maximum	3500
	Breakdown	VDC - minimum	7500
Current	Switching	Amp - maximum	1.5
	Carry	Amp - maximum	5.0
Resistance	Initial Contact Resistance	Ohm - maximum	0.10
	Insulation Resistance	Ohm - minimum	1 E10
Capacitance	Contact	pF - typical	3.4
Temperature	Operating	°C	-60 to +125
	Storage	°C	-100 to +200

### Magnetic Specifications

Pull - In Range		Ampere Turns	100-145
Test Coil		NARM RS-421-A	Coil III

### Physical/Operational Specifications

Capsule Volume	Excluding Leads	CC - nominal	2.73
Contact Material			Rhodium
Operate Time	Including Bounce	mSeconds - maximum	2.50
Release Time		mSeconds - maximum	1.00



#### Notes:

- (1) Specifications are not constant across entire magnetic range.
- (2) Customer must exercise care in handling, mounting, lead forming, and cutting to prevent damage to glass capsule and/or switch sensitivity.
- (3) For information about performance, custom configurations, mounting options or packaging contact our Sales department.
- (4) Information contained hereon is for informational purposes only and should not be deemed as accurate for a specific application. Consult factory for specific application information and/or latest revision.