

Item Number HSR-900F Series Contact Form A Switch Configuration SPST Rev. J

**Form A High Voltage Switch for RF**

Features	Advantages
<ul style="list-style-type: none"> <li>• Vacuum sealed Rhodium contacts</li> <li>• Leaded glass currently exempted from RoHS requirements</li> <li>• Radio frequency compatible</li> <li>• High voltage Hold-Off capability</li> </ul>	<ul style="list-style-type: none"> <li>• Insertion loss &lt; 0.01dB up to 30MHz</li> <li>• RF Isolation &gt; 50dB up to 30MHz</li> <li>• Q measurement at least 60% of pure Copper wire</li> <li>• Not ESD sensitive</li> </ul>

**Electrical Specifications**

Power		Watts - maximum	10
Voltage	Switching	VDC - maximum	220
	* Breakdown	VDC - minimum	2000
Current	Switching	Amp - maximum	1.0
	Carry	Amp - maximum	2.2
Resistance	Initial Contact Resistance	Ohm - maximum	0.15
	Insulation Resistance	Ohm - minimum	1 E10
Capacitance	Contact	pF - typical	0.2
Temperature	Operating	°C	-60 to +125
	Storage	°C	-100 to +200

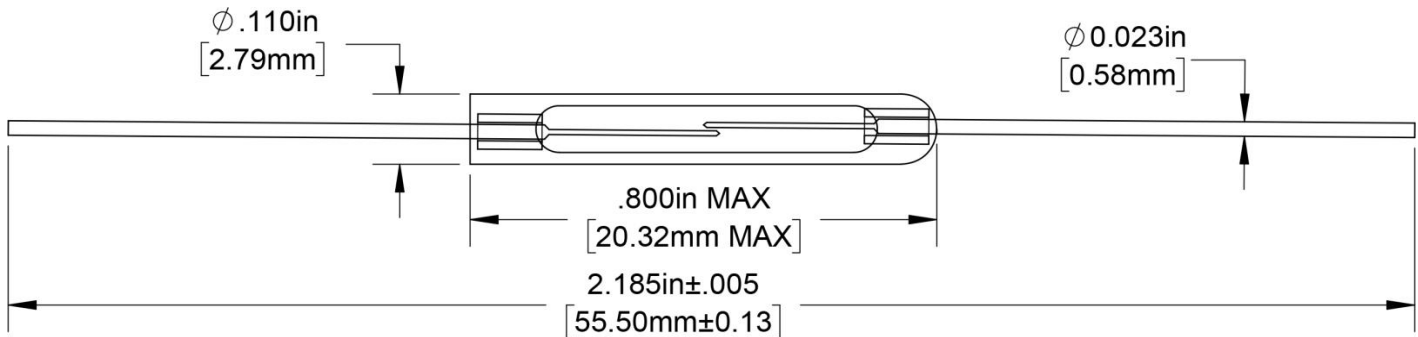
**Magnetic Specifications**

Pull - In Range		Ampere Turns	15-40
Test Coil		NARM RS-421-A	Coil II

**Physical/Operational Specifications**

Capsule Volume	Excluding Leads	CC - nominal	0.12
Contact Material			Rhodium
Operate Time	Including Bounce	mSeconds - maximum	1.40
Release Time		mSeconds - maximum	1.00

\* Breakdown/Hold-Off Voltage is dependent upon switch sensitivity



**Notes:**

- (1) Specifications are not constant across entire magnetic range.
- (2) Customer must exercise care in handling, mounting, lead forming, and cutting to prevent damage to glass capsule and/or switch sensitivity.
- (3) For information about performance, custom configurations, mounting options or packaging contact our Sales department.
- (4) Information contained hereon is for informational purposes only and should not be deemed as accurate for a specific application. Consult factory for specific application information and/or latest revision.