

Item Number HSR-520R Series Contact Form C Switch Configuration SPDT Rev. J

Form C Miniature Switch

Features	Advantages
<ul style="list-style-type: none"> • Hermetically sealed Rhodium contacts • Materials are Lead free and RoHS compliant • Industry standard size 	<ul style="list-style-type: none"> • Extended operations in extreme environments • Not ESD sensitive • Excellent historical performance • Ideal for reed relays

Electrical Specifications

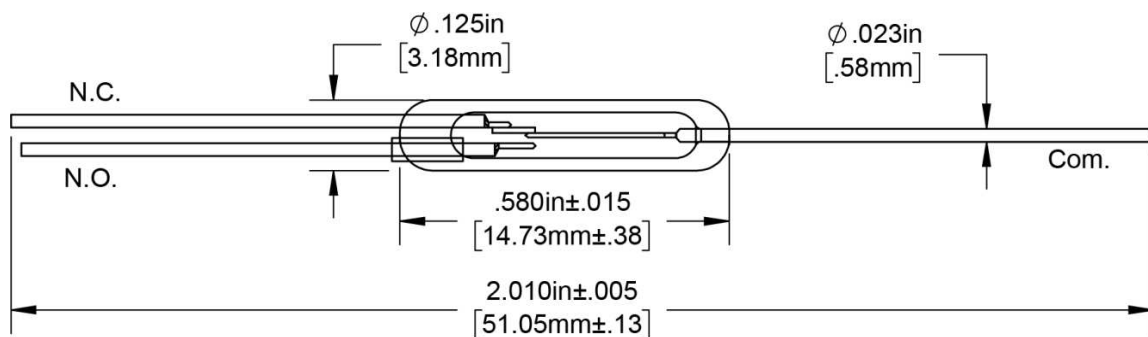
Power		Watts - maximum	3
Voltage	Switching	VDC - maximum	120
	Breakdown	VDC - minimum	400
Current	Switching	Amp - maximum	0.25
	Carry	Amp - maximum	2.9
Resistance	Initial Contact Resistance	Ohm - maximum	0.15
	Insulation Resistance	Ohm - minimum	1 E9
Capacitance	Contact	pF - typical	1.7
Temperature	Operating	°C - maximum	-40 to +125
	Storage	°C	-40 to +200

Magnetic Specifications

Pull - In Range		Ampere Turns	15-45
Test Coil		NARM RS-421-A	Coil II

Physical/Operational Specifications

Capsule Volume	Excluding Leads	CC - nominal	0.11
Contact Material			Rhodium
Operate Time	Including Bounce	mSeconds - maximum	1.00
Release Time		mSeconds - maximum	0.80



Notes:

- (1) Specifications are not constant across entire magnetic range.
- (2) Customer must exercise care in handling, mounting, lead forming, and cutting to prevent damage to glass capsule and/or switch sensitivity
- (3) For information about performance, custom configurations, mounting options or packaging contact our Sales department.
- (4) Information contained hereon is for informational purposes only and should not be deemed as accurate for a specific application. Consult factory for specific application information and/or latest revision