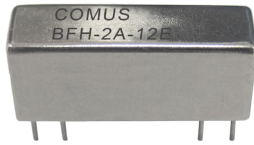


Part Number: BFH Series

Multi-Pole Instrumentation Reed Relays - 2 Form A, 3 Form A, 1 Form C, and 2 Form C  
Product Data Sheet

**NEW!**

**PICTURE**

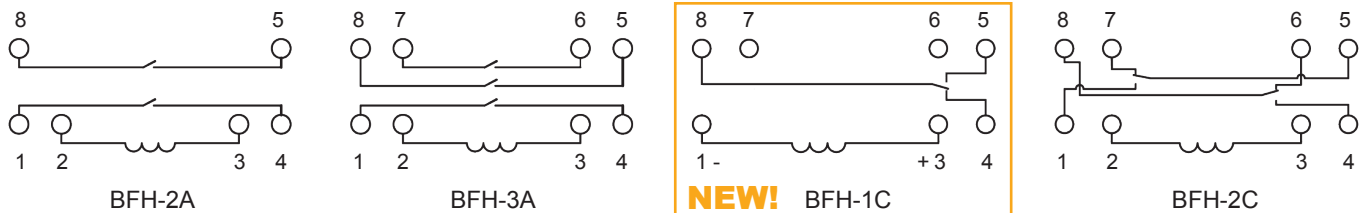


**FEATURES**

- Multi-pole designs 2 Form A, 3 Form A, 1 Form C (1A/1B), and 2 Form C
- High Reliability Instrumentation Grade reed switch with sputtered Ruthenium Form A contacts
- Optional Electrostatic or Coaxial Shield (BFH-2A & BFH-1C Only)
- High Insulation Resistance:  $10^{12} \Omega$  MIN (Form 2A, 3A & 1C) &  $10^9 \Omega$  (Form 2C)
- Metal Cover (reduces magnetic interaction)
- Industry Standard Packages
- Custom Designs Available

**✓ RoHS Compliant**

**CIRCUIT DIAGRAM (Top View)**



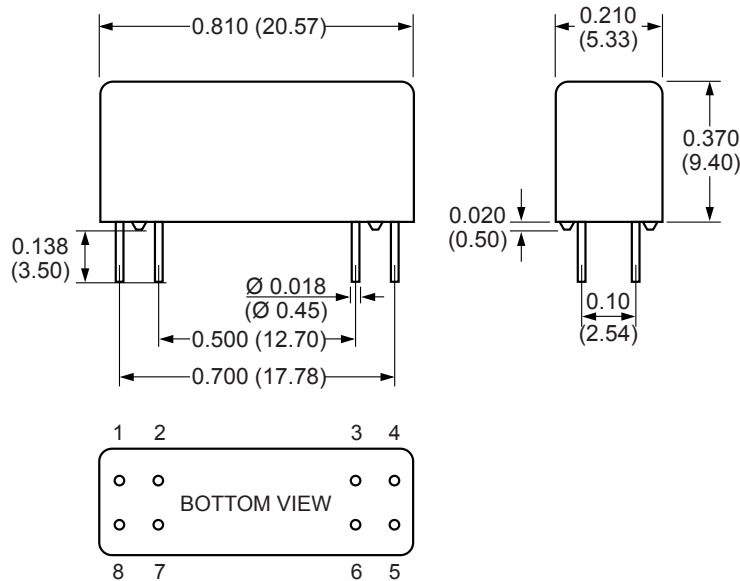
**ORDERING INFORMATION**

Series	Form	Coil	Options
BFH	2A	05	E = Electrostatic Shield (BFH-2A & BFH-1C Only) C = Coaxial Shield (BFH-2A & BFH-1C Only)
	3A		
	1C*	12	
	2C		

Part Number Example: BFH-XX-XXX      BFH-2A-12E = 2 form A, 12 Volt Coil with Electrostatic Shield

NOTE: Model BFH-2A & BFH-1C, pin #6 is tied to optional electrostatic shield, pins #6 & #7 are tied to optional coaxial shield.  
\*1C is polarity sensitive, positive (+) voltage must be applied to coil pin #3. Break-Before-Make is not guaranteed.

**DIMENSIONS**



Drawings not to scale.  
All dimensions in inches (mm) nominal.

As part of the company policy of continued product improvement, specifications may change without notice. Our sales office will be pleased to help you with the latest information on this product range and the details of our full design and manufacturing service. All products are supplied to our standard conditions of sale unless otherwise agreed in writing.

Phone: (1) 973 777 6900

www.comus-intl.com

Fax: (1) 973 777 8405

Belgium: + 32 (0)12 390400 - Comus Europe Ltd (Assembletech) UK: +44 (0) 1255 862236 - Germany: +49 (0)911 923 15 943 - Netherlands: +31(0)45 54 39 345 - India: +(91) (44) 42023510

©2017 Copyright Comus International, 454 Allwood Road, Clifton NJ 07012, USA

Rev: 2 - Date: Oct/2/2017 - Signature: BR

An ISO 9001 Certified Company

**Part Number: BFH Series**

**Multi-Pole Instrumentation Reed Relays - 2 Form A, 3 Form A, 1 Form C, and 2 Form C**

**Product Data Sheet**

**NEW!**

### COIL DATA-STANDARD TYPE (at 20 °C)

PART NUMBER	NOMINAL VOLTAGE DC±10% [V]	COIL RESISTANCE ±10% (Ω)	MUST OPERATE VOLTAGE MAX [V] at 20°C	MUST RELEASE VOLTAGE MIN [V] at 20°C	MAX COIL VOLTAGE [V]
BFH-2A BFH-3A BFH-2C	5	175	3.8	0.4	7
	12	1000	9.0	1.0	16
<b>NEW!</b> BFH-1C	5	230	3.8	0.4	7
	12	1000	9.0	1.0	16

### CONTACT RATING

**NEW!**

RELAY MODEL	2A & 3A	1C (1A/1B)	2C
Max Contact Rating	10 W	10 W	5 W
Max Switching Voltage	200 VDC	200 VDC	100 VDC
Max Switching Current	0.5 A	0.5 A	0.25 A
Max Carry Current	1.5 A	1.5 A	1.0 A

### SPECIFICATIONS

RELAY MODEL	2A & 3A	1C (1A/1B)	2C
Static Contact Resistance (Initial)	150 mΩ	150 mΩ	200 mΩ
Dielectric Strength Between Contacts (Min)	250 VDC	250 VDC	200 VDC
Dielectric Strength Contacts to Shield (Min)	1000 VDC	1000 VDC	N/A
Dielectric Strength Contacts / Shield to Coil (Min)	1000 VDC	1000 VDC	1000 VDC
Insulation Resistance Between all Isolated pins at 100V 25°C, 40%RH (Min)	10 <sup>12</sup>	10 <sup>12</sup>	10 <sup>9</sup>
Capacitance - Typical No Shield	0.8 pF	0.8 pF	2.0 pF
Capacitance - Typical Shield Guarding	0.2 pF	0.2 pF	N/A
Operate Time - Including Bounce - Typical	0.5 mS	0.5 mS	1.5 mS
Release Time - Typical	0.15 mS	0.5 mS	2.0 mS
Vibration	20G		
Shock	50G		
Operating Temperature	-20°C to +85°C		
Storage Temperature	-40°C to +100°C		
Life Expectancy (Signal Level 1.0V, 10mA) (Typical)	500 x 10 <sup>6</sup> Ops	500 x 10 <sup>6</sup> Ops	100 x 10 <sup>6</sup> Ops

As part of the company policy of continued product improvement, specifications may change without notice. Our sales office will be pleased to help you with the latest information on this product range and the details of our full design and manufacturing service. All products are supplied to our standard conditions of sale unless otherwise agreed in writing.

**Phone: (1) 973 777 6900**

**www.comus-intl.com**

**Fax: (1) 973 777 8405**

Belgium: + 32 (0)12 390400 - Comus Europe Ltd (Assemtech) UK: +44 (0) 1255 862236 - Germany: +49 (0)911 923 15 943 - Netherlands: +31(0)45 54 39 345 - India: +(91) (44) 42023510

©2017 Copyright Comus International, 454 Allwood Road, Clifton NJ 07012, USA

Rev: 2 - Date: Oct/2/2017 - Signature: BR

An ISO 9001 Certified Company